



# T&S BRASS AND BRONZE WORKS, INC.

2 Saddleback Cove / P.O. Box 1088  
Travelers Rest, SC 29690

Model No.

**CEF-4DS-ST**

Item No.

Travelers Rest, SC: 800-476-4103 • Simi Valley, CA: 800-423-0150 • Fax: 864-834-3518 • www.tsbrass.com

This Space for Architect/Engineer Approval

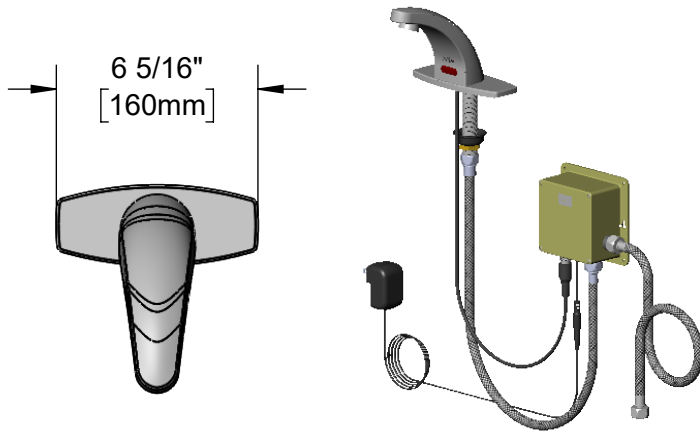
Job Name \_\_\_\_\_ Date \_\_\_\_\_

Model Specified \_\_\_\_\_ Quantity \_\_\_\_\_

Customer/Wholesaler \_\_\_\_\_

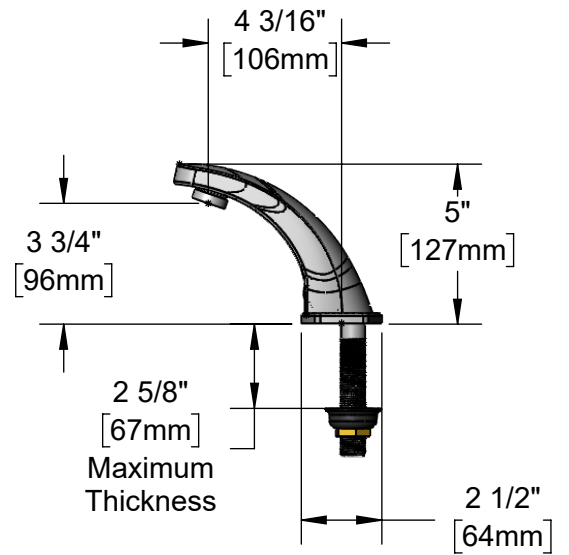
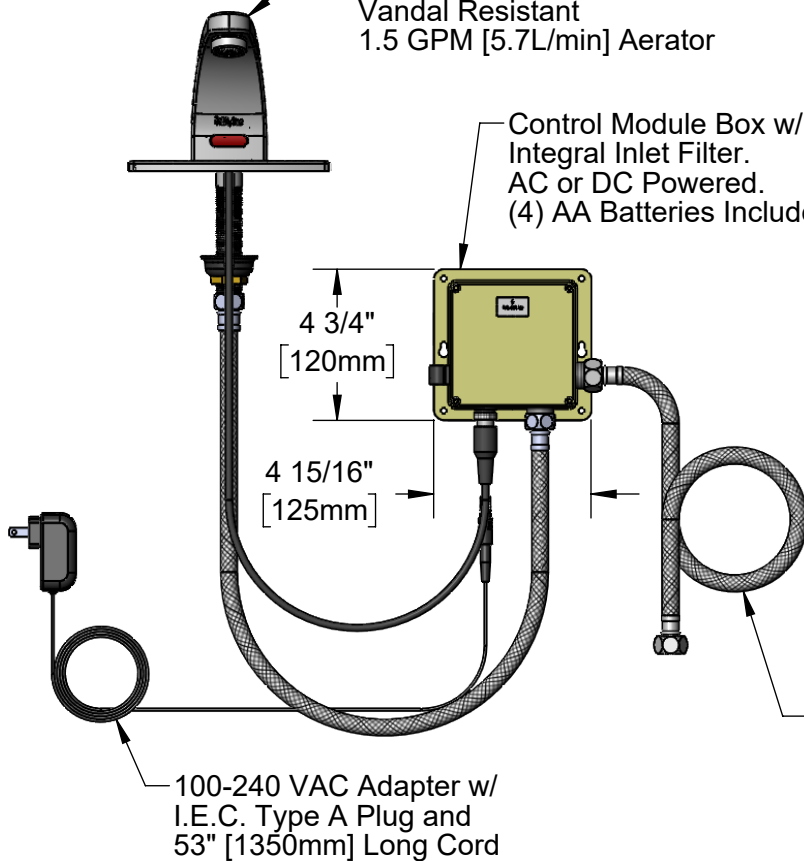
Contractor \_\_\_\_\_

Architect/Engineer \_\_\_\_\_



Polished Chrome Plated  
Cast Brass Spout w/  
Vandal Resistant  
1.5 GPM [5.7L/min] Aerator

Control Module Box w/  
Integral Inlet Filter.  
AC or DC Powered.  
(4) AA Batteries Included.



Rough-In Requirement:  
Ø 1 1/4" [32mm] Mounting Hole

Product Specifications:  
Single Hole, Single Temperature, Deck Mount Sensor Faucet w/ Cast Spout,  
Deck Plate, VR 1.5 GPM Aerator, Control Module, AC/DC Transformer and  
G 1/2" Flexible Supply Hose

Product Compliance:



# T&S BRASS AND BRONZE WORKS, INC.

2 Saddleback Cove / P.O. Box 1088  
Travelers Rest, SC 29690

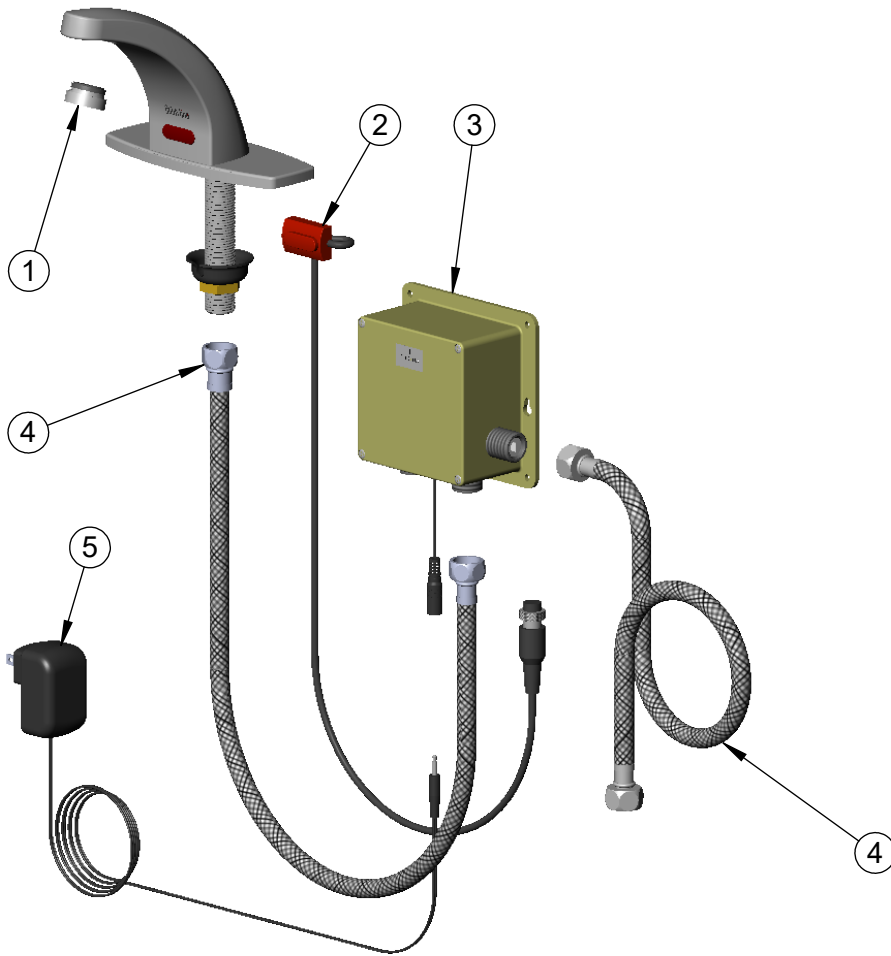
Model No.

**CEF-4DS-ST**

Item No.

Travelers Rest, SC: 800-476-4103 • Simi Valley, CA: 800-423-0150 • Fax: 864-834-3518 • www.tsbrass.com

ITEM NO.	SALES NO.	DESCRIPTION
1	EU-0199-M24-V15	VR 1.5 GPM Aerator, M24x1 Male
2	020377-45	Sensor Cable
3	019920-45	Control Module
4	019927-45	Supply Hose, G 1/2" Connections
5	019924-45	Plug-in AC Transformer
6	002954-45	Shank Lock Nut



**Product Specifications:**

Single Hole, Single Temperature, Deck Mount Sensor Faucet w/ Cast Spout, Deck Plate, VR 1.5 GPM Aerator, Control Module, AC/DC Transformer and G 1/2" Flexible Supply Hose

**Product Compliance:**