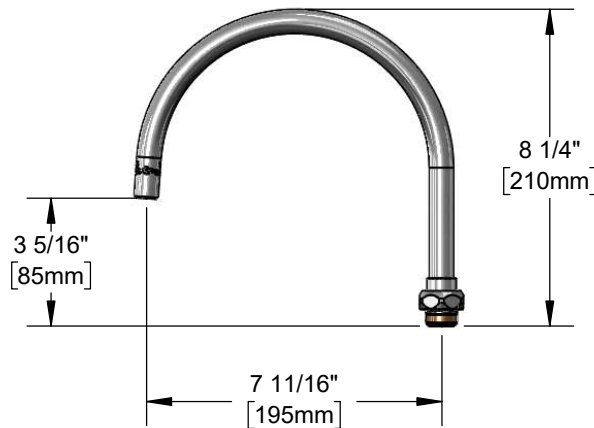




Architect/Engineering Specifications:

7 11/16" plain end laminar swivel gooseneck with 1.5 GPM flow disc in swivel piece. Certified to ASME A112.18.1/CSA B125.1, NSF 61-Section 9 and NSF 372.

Job Name _____
 Model Specified _____ Quantity _____
 Variations Specified _____
 Date _____



Features & Benefits:

- 7 11/16" laminar swivel gooseneck with plain end outlet
- 1.5 GPM flow disc
- Fits all T&S swivel outlet faucets
- Material: Chrome plated brass tubular spout

Product Compliance:

- ASME A112.18.1 / CSA B125.1
- NSF 61 - Section 9
- NSF 372 (Low Lead Content)



Warranty: One Year (Limited)

Performance Data:

- Pressure: 20 - 125 psi [1.38 - 8.62 bar]
- Temperature: 40 °F - 140 °F [4.44 °C - 60 °C]
- Flow Rate: 1.5 GPM [5.7 L/min] @ 60 psi [4.14 bar]

Optional Flow Disc

GPM	Suffix No
0.5	<input type="checkbox"/> F05
1.0	<input type="checkbox"/> F10
1.2	<input type="checkbox"/> F12
1.5	Standard
2.2	<input type="checkbox"/> F22

