



T&S BRASS AND BRONZE WORKS, INC.
 2 Saddleback Cove / P.O. Box 1088
 Travelers Rest, SC 29690

Model No.
EX-RINSER-SV13

Item No.

Travelers Rest, SC: 800-476-4103 • Simi Valley, CA: 800-423-0150 • Fax: 864-834-3518 • www.tsbrass.com

This Space for Architect/Engineer Approval

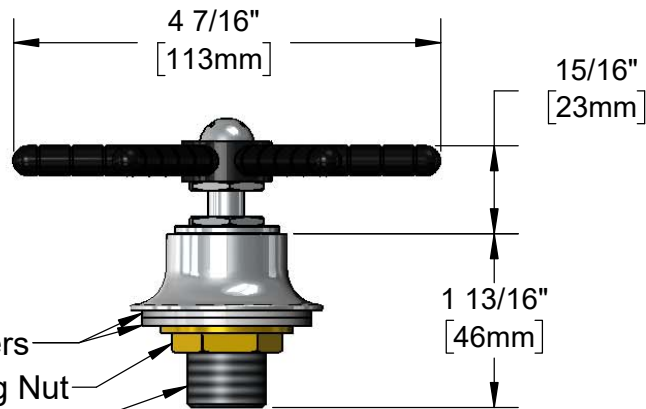
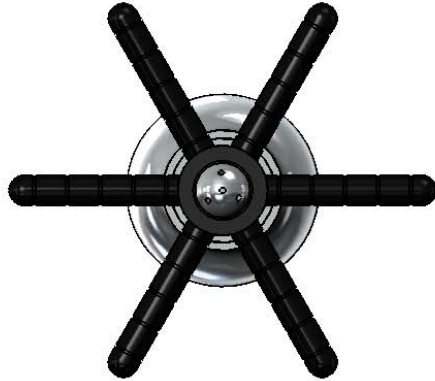
Job Name _____ Date _____

Model Specified _____ Quantity _____

Customer/Wholesaler _____

Contractor _____

Architect/Engineer _____



Rubber Washers
 Brass Mounting Nut
 G1/2 Male Inlet

Rough-In Requirement:
 Ø 7/8" [22mm] Mounting Hole

Product Specifications:
 Spray Head for EX-RINSER-1 & EX-RINSER-2

Product Compliance: