



T&S BRASS AND BRONZE WORKS, INC.

2 Saddleback Cove / P.O. Box 1088
Travelers Rest, SC 29690

Model No.

EB-0211

Item No.

Travelers Rest, SC: 800-476-4103 • Simi Valley, CA: 800-423-0150 • Fax: 864-834-3518 • www.tsbrass.com



ADA Compliant

This Space for Architect/Engineer Approval

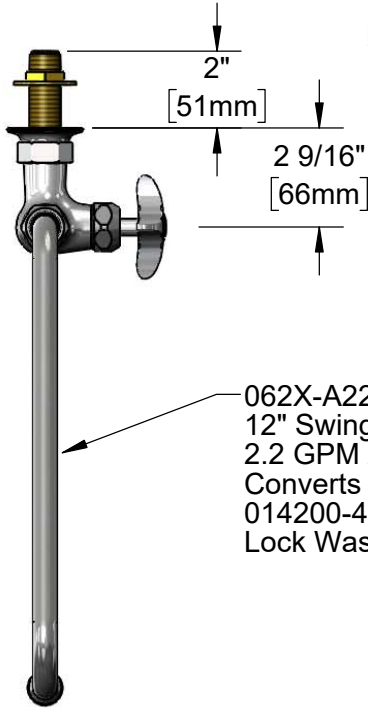
Job Name _____ Date _____

Model Specified _____ Quantity _____

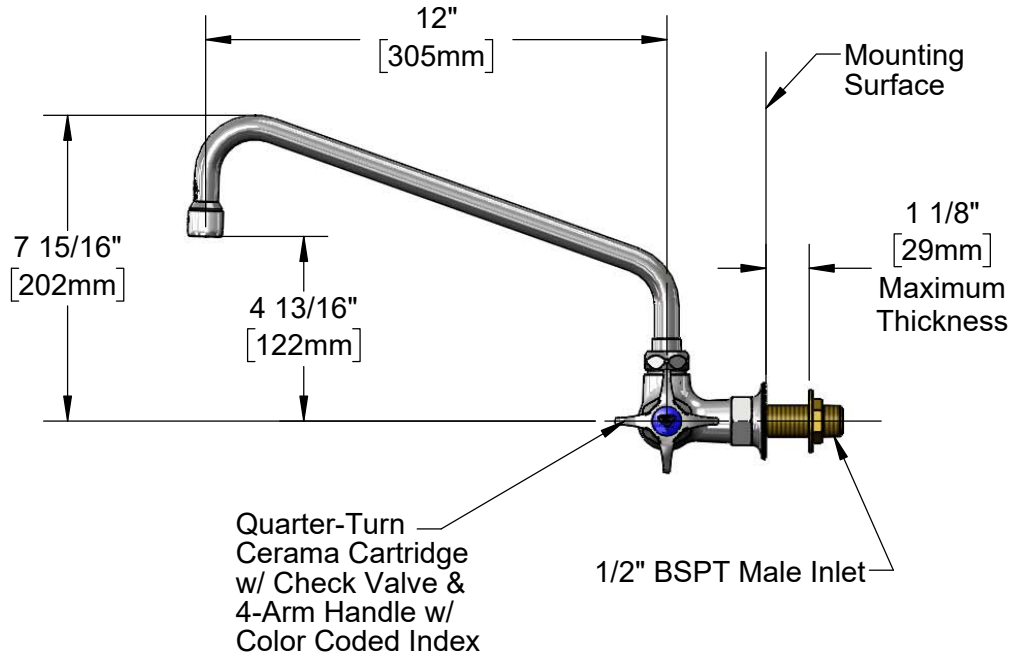
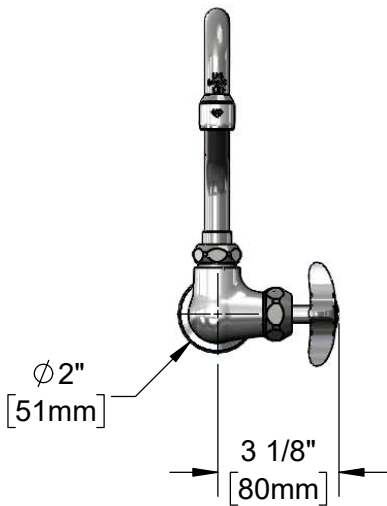
Customer/Wholesaler _____

Contractor _____

Architect/Engineer _____



062X-A22
12" Swing Nozzle w/
2.2 GPM Aerator.
Converts to Rigid w/
014200-45
Lock Washer (Included)



Rough-In Requirement:
Ø 1" [25mm] Mounting Hole

Product Specifications:
Single Supply Wall Mount Faucet w/ Quarter-Turn Cerama Cartridge w/
Check Valve, 12" Swing Nozzle, 2.2 GPM Aerator & 1/2" BSPT Male Inlet

Product Compliance:
ASME A112.18.1 / CSA B125.1
NSF 61 - Section 9
NSF 372 (Low Lead Content)
ANSI A117.1 (ADA)



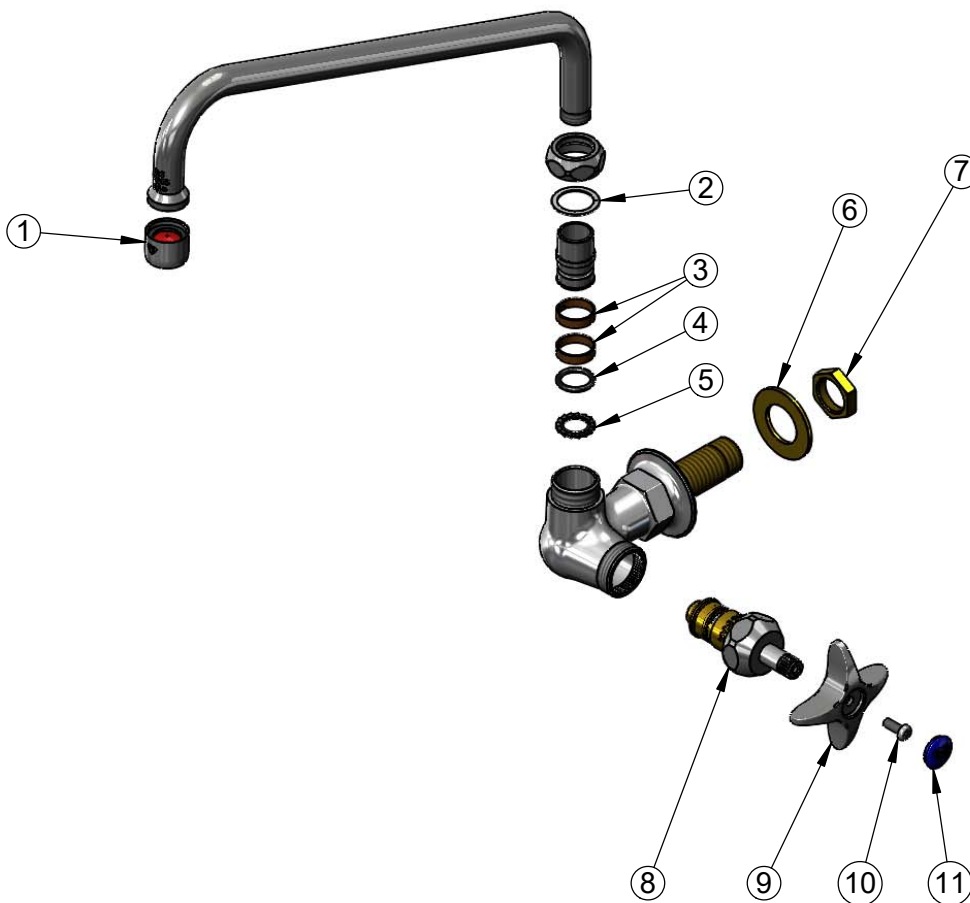
T&S BRASS AND BRONZE WORKS, INC.
 2 Saddleback Cove / P.O. Box 1088
 Travelers Rest, SC 29690

Model No.
EB-0211

Item No.

Travelers Rest, SC: 800-476-4103 • Simi Valley, CA: 800-423-0150 • Fax: 864-834-3518 • www.tsbrass.com

ITEM NO.	SALES NO.	DESCRIPTION
1	B-0199-01	2.2 GPM Aerator, 55/64"-27 UN Female
2	009538-45	Swivel Washer
3	011429-45	Swivel Sleeves (2)
4	001074-45	O-Ring
5	014200-45	Star Washer, Anti-Rotation
6	000999-45	Brass Lock Washer
7	002954-45	Shank Lock Nut
8	012394-25NS	Quarter-Turn Cerama Cartridge w/ Check Valve, RTC
9	002521-45NS	4-Arm Handle (New Style)
10	000925-45	Lab Handle Screw
11	018506-19NS	Blue Button Index, Press-in



Product Specifications:
 Single Supply Wall Mount Faucet w/ Quarter-Turn Cerama Cartridge w/ Check Valve, 12" Swing Nozzle, 2.2 GPM Aerator & 1/2" BSPT Male Inlet

Product Compliance:
 ASME A112.18.1 / CSA B125.1
 NSF 61 - Section 9
 NSF 372 (Low Lead Content)
 ANSI A117.1 (ADA)