



T&S BRASS AND BRONZE WORKS, INC.

2 Saddleback Cove / P.O. Box 1088
Travelers Rest, SC 29690

Model No.

UMPU-2DLN-06

Item No.

Travelers Rest, SC: 800-476-4103 • Simi Valley, CA: 800-423-0150 • Fax: 864-834-3518 • www.tsbrass.com

This Space for Architect/Engineer Approval

Job Name _____ Date _____

Model Specified _____ Quantity _____

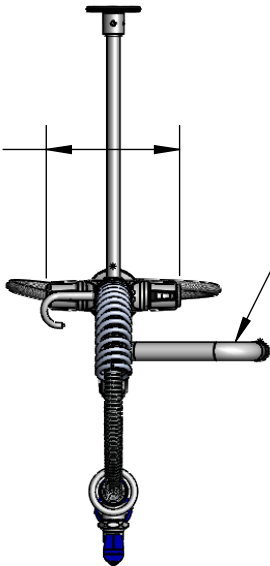
Customer/Wholesaler _____

Contractor _____

Architect/Engineer _____

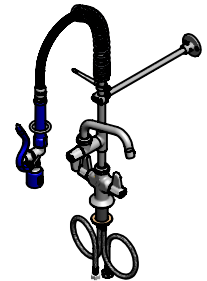


5 9/16"
[141mm]



ES-06
6" Swing Nozzle
w/ Laminar Flow
Device

24" Flexible Stainless
Steel Hose w/ Spring
& Spray Valve



Items Not Shown
For Clarity

Finger Hook
EasyInstall
Lock Nut &
Bushing

6 1/8"
[156mm]

EB-0107-C
0.65 GPM
Low Flow
Spray Valve
(Blue)

23 15/16"
[608mm]

B-0109-03
12" Wall
Bracket

4 1/4"
[107mm]

11 13/16"
[300mm]

9 3/8"
[238mm]

6 1/2"
[165mm]

Mounting
Surface

3/8" NPT x 7" Riser
EasyInstall Add-On
Faucet w/ Quarter-
Turn Ceramic
Cartridge & Euro
Lever Handle

Quarter-Turn
Ceramic Cartridges w/
Euro Lever Handles
& Color Coded Screws

8 7/8"
[226mm]

1 7/8"
[48mm]
Maximum
Thickness

19 11/16" [500mm]
Flexible Supply Hoses w/
G1/2 (1/2" BSPP) Female
Swivel Nut Fittings

Rough-In Requirement:
Ø 1 1/2" [38mm] Mounting Hole



Product Specifications:

Pre-Rinse Unit: EasyInstall Single Hole Deck Mount Mixing Faucet, Quarter-Turn Ceramic Cartridges, Euro Lever Handles, Add-On Faucet, 6" Swing Nozzle, 24" Flexible Stainless Steel Hose, 0.65 GPM Low Flow Spray Valve, 12" Wall Bracket & 19 11/16" Supply Hoses w/ G1/2 (1/2" BSPP) Female Swivel Nut Fittings

Product Compliance:

WRAS Approved Product (UK)



T&S BRASS AND BRONZE WORKS, INC.

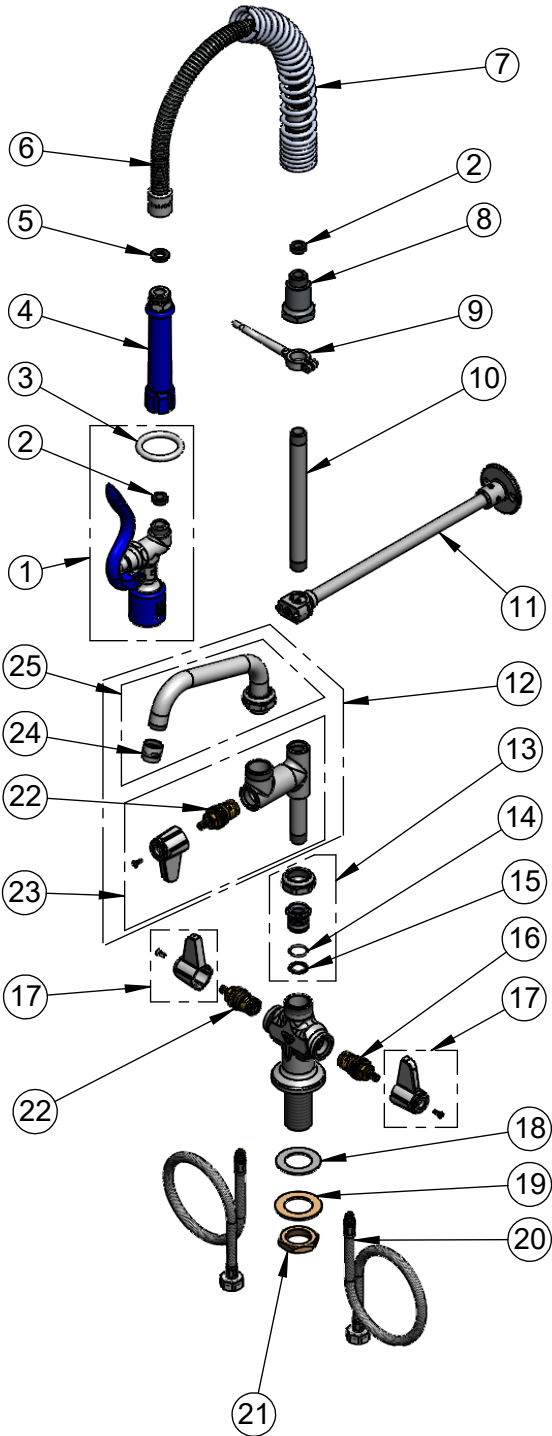
2 Saddleback Cove / P.O. Box 1088
Travelers Rest, SC 29690

Model No.

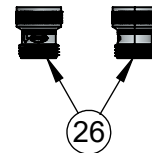
UMPU-2DLN-06

Item No.

Travelers Rest, SC: 800-476-4103 • Simi Valley, CA: 800-423-0150 • Fax: 864-834-3518 • www.tsbrass.com



ITEM NO.	SALES NO.	DESCRIPTION
1	EB-0107-C	0.65 GPM Low Flow Spray Valve
2	010476-45	#27 Washer
3	000907-45	Spray Valve Hold Down Ring
4	011482-40	Blue Grip Handle
5	001014-45	Washer, Hose Barrel
6	B-0024-H2A	24" Flexible Stainless Steel Hose Less Handle
7	016795-45	Compact Spring
8	000821-40	Spring Body
9	004R	Finger Hook
10	000363-40	Nipple, 3/8" NPT x 7"
11	B-0109-03	12" Wall Bracket
12	EU-AF06	Add-On Faucet w/ 6" Swing Nozzle
13	EU-EZ-K	Euro EasyInstall Retro-Fit Kit
14	001062-45	O-Ring
15	014200-45	Star Washer, Anti-Rotation
16	013788-45	equip, Quarter-Turn Ceramic Cartridge, LTC
17	E-HDL-L	EU Lever Handle & Blue/Red Screws
18	014612-45	Deck Seal
19	002290-45	Lock Washer
20	012436-45DR	Flexible Connector Hose
21	000965-45	Lock Nut
22	013787-45	equip, Quarter-Turn Ceramic Cartridge, RTC
23	EU-AF00	Add-On Faucet
24	014250-45	Laminar Full Flow Outlet Device
25	ES-06	6" Swing Nozzle, Euro
26	020465-45	Check Valve Adapters



Product Specifications:

Pre-Rinse Unit: EasyInstall Single Hole Deck Mount Mixing Faucet, Quarter-Turn Ceramic Cartridges, Euro Lever Handles, Add-On Faucet, 6" Swing Nozzle, 24" Flexible Stainless Steel Hose, 0.65 GPM Low Flow Spray Valve, 12" WallBracket & 19 11/16" Supply Hoses w/ G1/2 (1/2" BSPP) Female Swivel Nut Fittings

Product Compliance:

WRAS Approved Product (UK)