

This Space for Architect/Engineer Approval

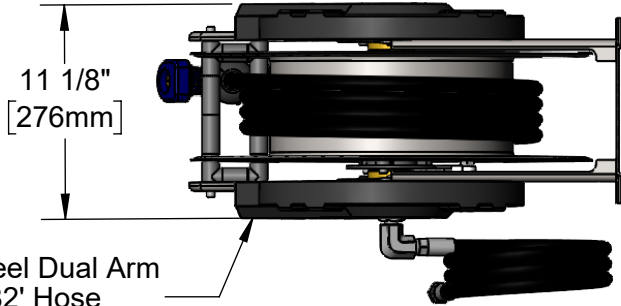
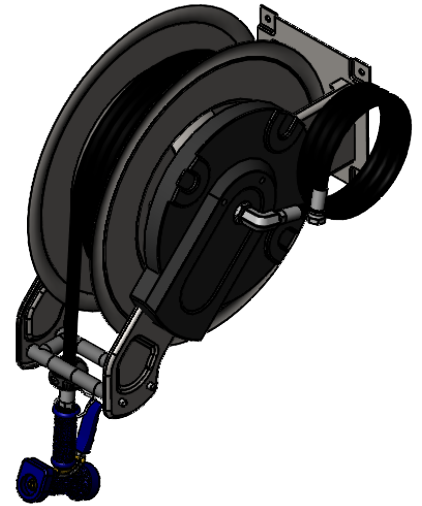
Job Name _____ Date _____

Model Specified _____ Quantity _____

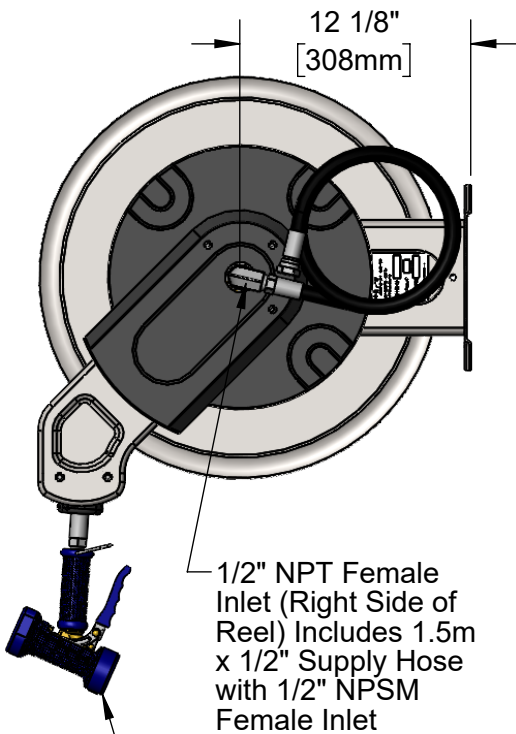
Customer/Wholesaler _____

Contractor _____

Architect/Engineer _____

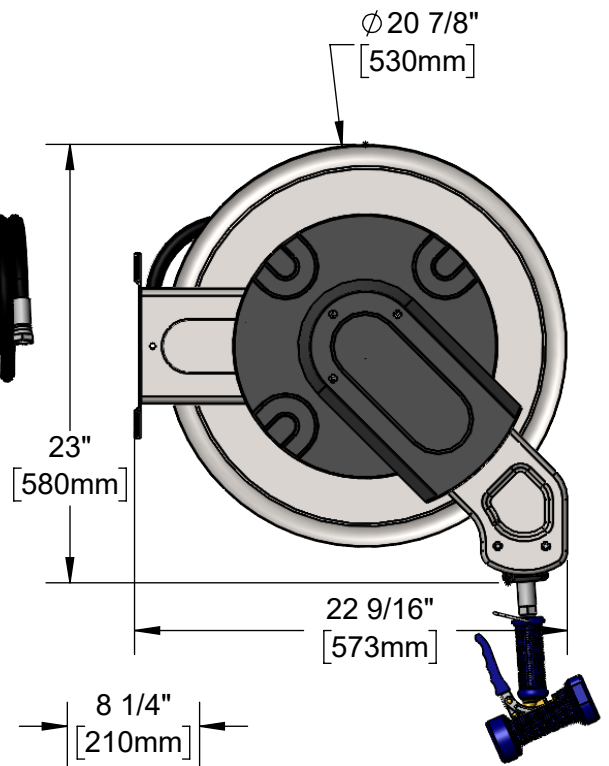
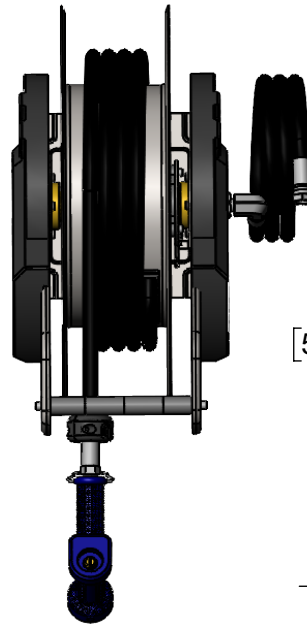


Stainless Steel Dual Arm
w/ ϕ 1/2" x 82' Hose



1/2" NPT Female Inlet (Right Side of Reel) Includes 1.5m x 1/2" Supply Hose with 1/2" NPSM Female Inlet

EMV-0522-24 High Flow Water Gun



ϕ 7/16" [11mm]

Model Number

5HR-361-12

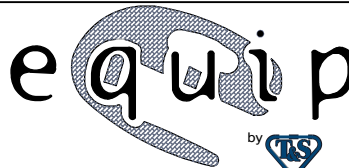
Product Specifications:

**Stainless Steel, Open, Dual Arm Hose Reel
w/ ϕ 1/2" x 82' Hose & High Flow Brass Spray Gun**

Product Compliance:

2019 DOE PRSV Non-Compliant
NSF 61 Exempt (Non-Potable)

equip
Foodservice
Accessories



2 Saddleback Cove, P.O. Box 1088
Travelers Rest, South Carolina 29690
Phone: 800.891.4808 Fax: 800.868.0084
equip.tsbrass.com

Drawn: JRM

Checked: JMD

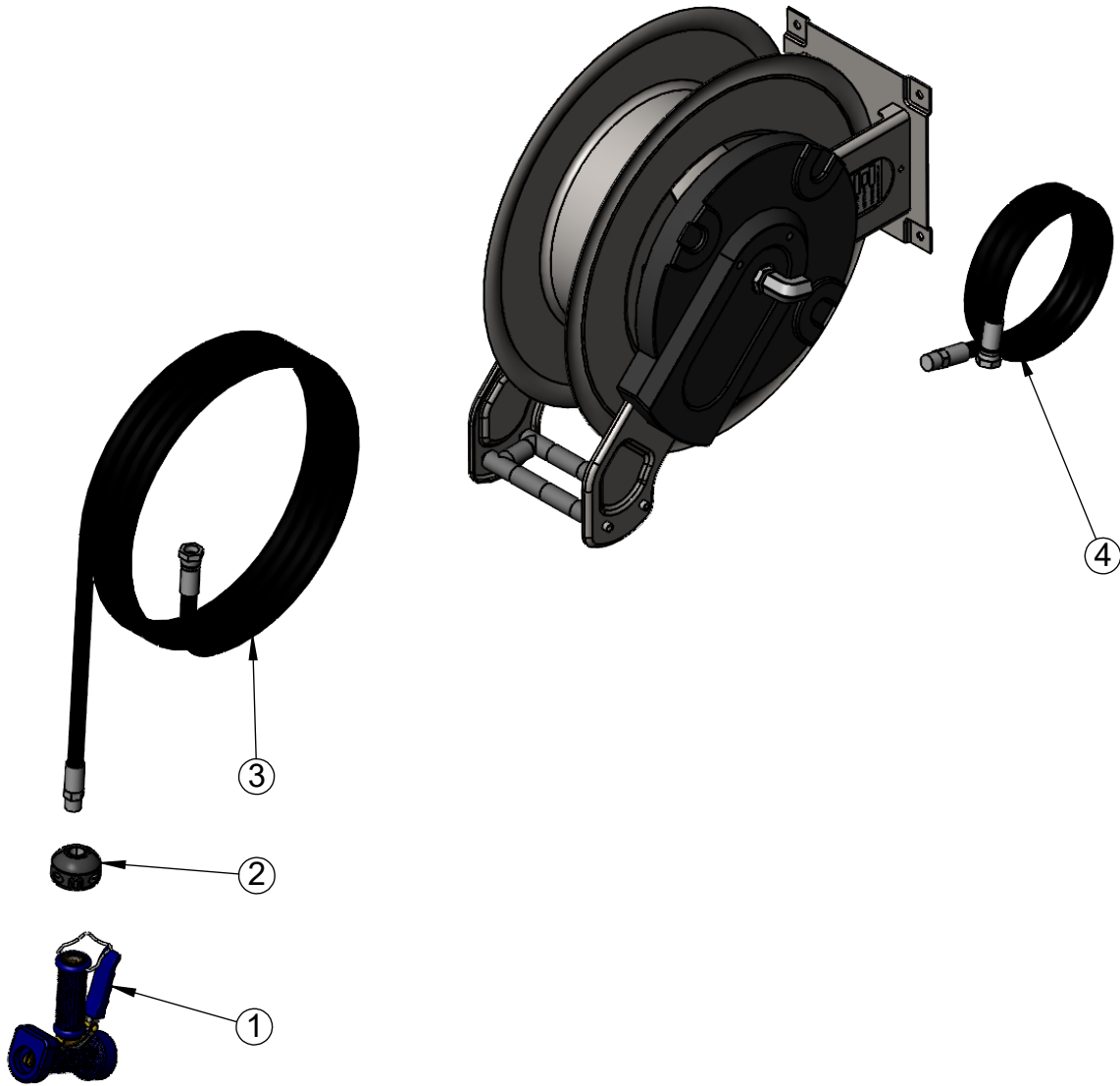
Approved: JHB

Date: 04/22/24

Scale: 1:12

Sheet: 2 of 2

ITEM NO.	SALES NO.	DESCRIPTION
1	EMV-0522-24	Brass Front Trigger Water Gun, \varnothing 9mm Orifice
2	014950-45	Hose Stop Repair Kit
3	5HR-3HSE-82	\varnothing 1/2" x 82' Hose
4	021133-45	1.5m x 1/2" Supply Hose



Model Number

5HR-361-12

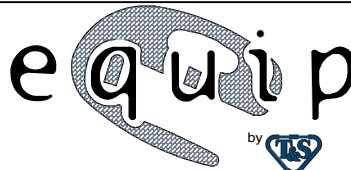
Product Specifications:

**Stainless Steel, Open, Dual Arm Hose Reel
w/ \varnothing 1/2" x 82' Hose & High Flow Brass Spray Gun**

Product Compliance:

2019 DOE PRSV Non-Compliant
NSF 61 Exempt (Non-Potable)

equip
Foodservice
Accessories



2 Saddleback Cove, P.O. Box 1088
Travelers Rest, South Carolina 29690
Phone: 800.891.4808 Fax: 800.868.0084
equip.tsbrass.com