



T&S BRASS AND BRONZE WORKS, INC.
 2 Saddleback Cove / P.O. Box 1088
 Travelers Rest, SC 29690

Model No.

EA-1DF08-300

Item No.

Travelers Rest, SC: 800-476-4103 • Simi Valley, CA: 800-423-0150 • Fax: 864-834-3518 • www.tsbrass.com

This Space for Architect/Engineer Approval

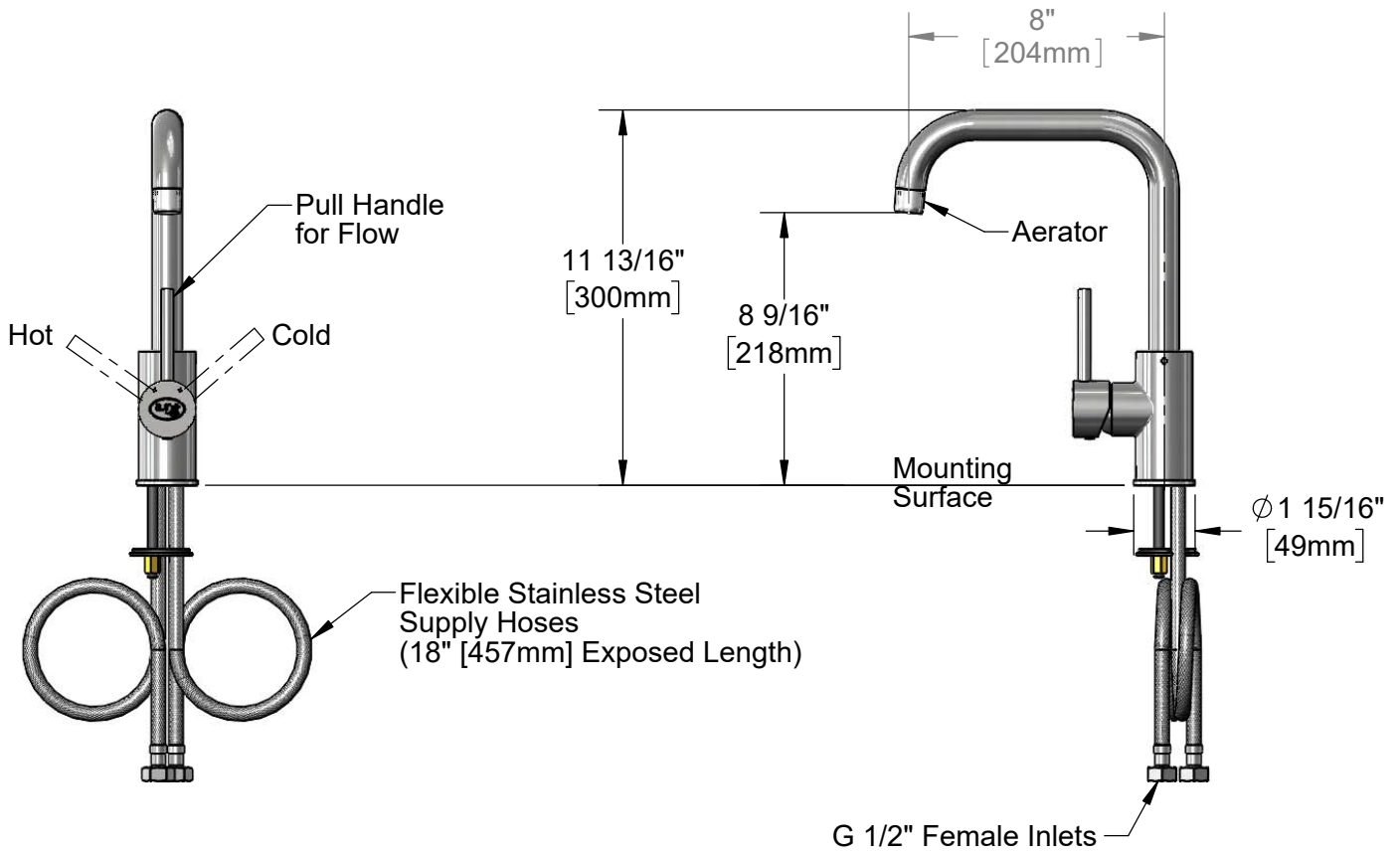
Job Name _____ Date _____

Model Specified _____ Quantity _____

Customer/Wholesaler _____

Contractor _____

Architect/Engineer _____



Rough-In Requirement:
 Ø 1 1/2" [38mm] Mounting Hole

Product Specifications:
 Single Hole Deck Mount High Rise Mixing Faucet w/ 8" Swing Nozzle &
 Flexible Stainless Steel Supply Hoses

Product Compliance:



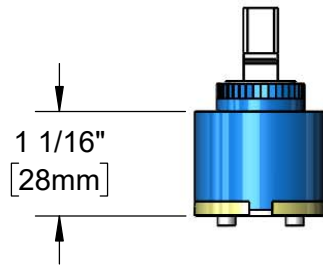
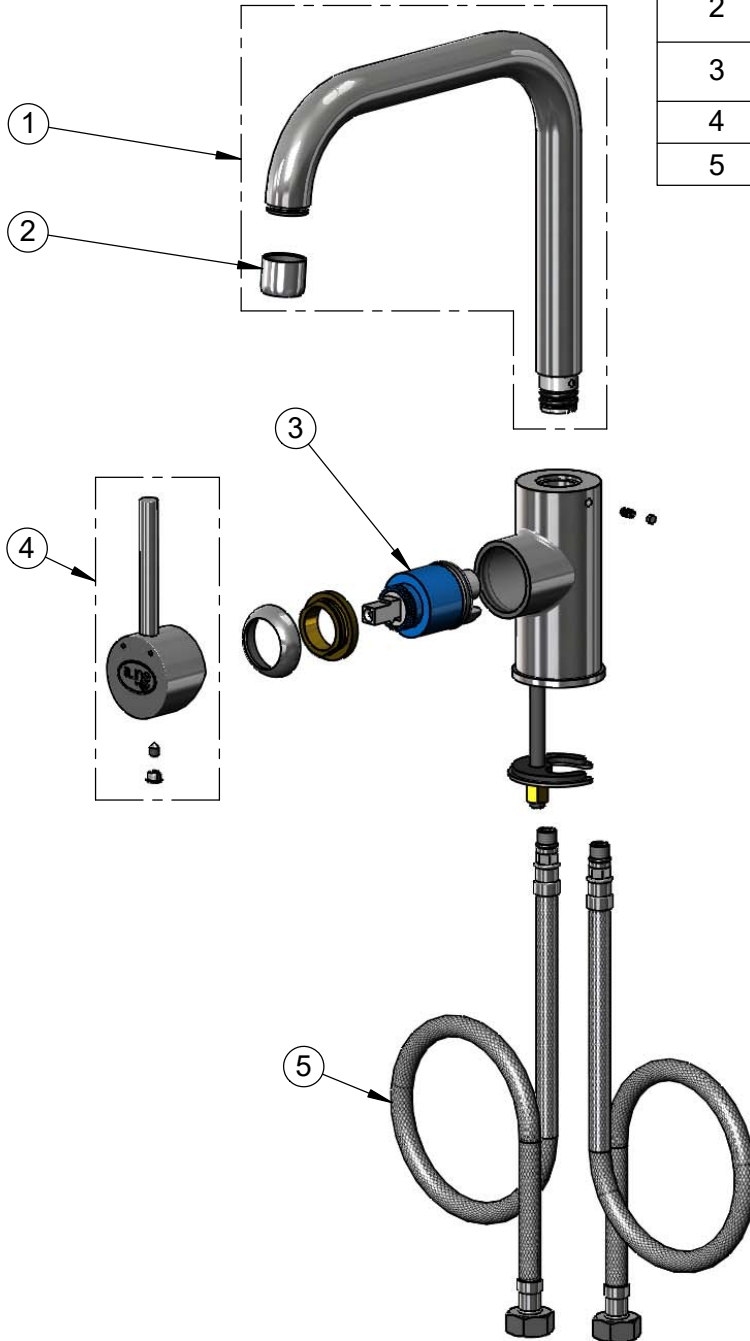
T&S BRASS AND BRONZE WORKS, INC.
 2 Saddleback Cove / P.O. Box 1088
 Travelers Rest, SC 29690

Model No.
EA-1DF08-300

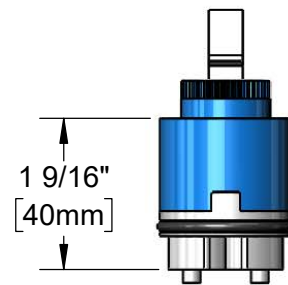
Item No.

Travelers Rest, SC: 800-476-4103 • Simi Valley, CA: 800-423-0150 • Fax: 864-834-3518 • www.tsbrass.com

ITEM NO.	SALES NO.	DESCRIPTION
1	019280-45	8" Swing Nozzle
2	EU-0199-M22-FFA	Full Flow Aerator, M22 x 1 Female
3	See Below	35mm Single Lever Cartridge
4	019277-45	Single Lever Rod Style Handle
5	018104-45	Flexible Connector Hose (2)



EA-1DF08-300 Faucets
 Produced Before August 2010 Use
 019279-45 Replacement Cartridge



EA-1DF08-300 Faucets
 Produced After August 2010 Use
 019308-45 Replacement Cartridge

Product Specifications:
 Single Hole Deck Mount High Rise Mixing Faucet w/ 8" Swing Nozzle &
 Flexible Stainless Steel Supply Hoses

Product Compliance: