



**T&S BRASS AND BRONZE WORKS, INC.**  
 2 Saddleback Cove / P.O. Box 1088  
 Travelers Rest, SC 29690

Model No.

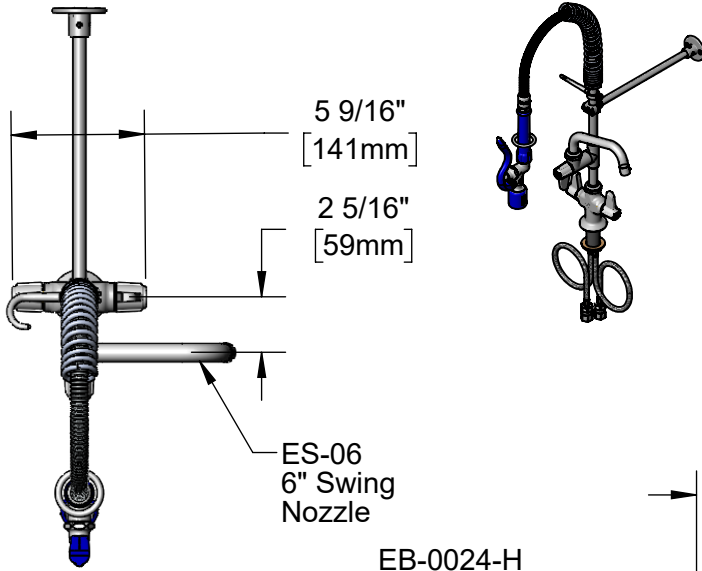
**EMPU-2DLN-06**

Item No.

Travelers Rest, SC: 800-476-4103 • Simi Valley, CA: 800-423-0150 • Fax: 864-834-3518 • www.tsbrass.com

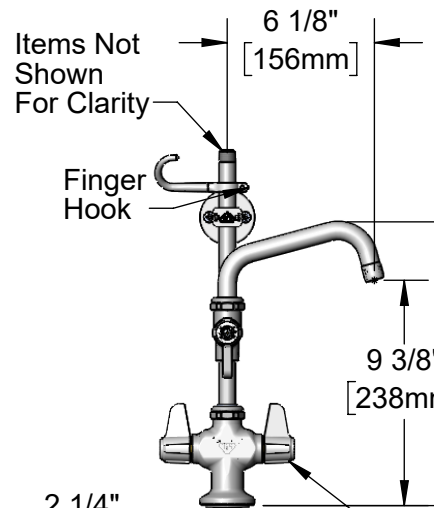
This Space for Architect/Engineer Approval

Job Name \_\_\_\_\_ Date \_\_\_\_\_  
 Model Specified \_\_\_\_\_ Quantity \_\_\_\_\_  
 Customer/Wholesaler \_\_\_\_\_  
 Contractor \_\_\_\_\_  
 Architect/Engineer \_\_\_\_\_



ES-06  
6" Swing  
Nozzle

Items Not  
Shown  
For Clarity



Finger  
Hook

EB-0024-H  
24" Stainless Steel  
Hose w/ Spring &  
Spray Valve

EB-0107-C  
Blue 0.65 GPM  
Low Flow  
Spray Valve

B-0109-03  
12" Adjustable  
Wall Bracket

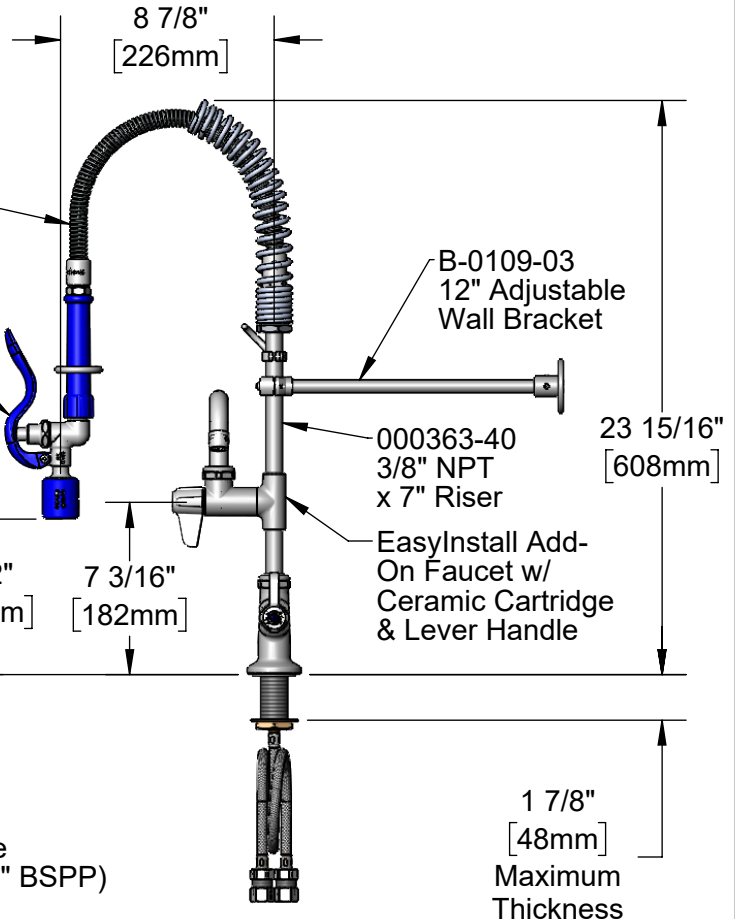
000363-40  
3/8" NPT  
x 7" Riser

EasyInstall Add-  
On Faucet w/  
Ceramic Cartridge  
& Lever Handle

Ceramic Cartridges w/  
Lever Handles & Color  
Coded Screws

19 11/16" [500mm] Flexible  
Supply Hoses w/ G1/2 (1/2" BSPP)  
Female Swivel Nut Fittings

Check Valve Adapters w/  
1/2" NPSM Female Inlets



Rough-In Requirement:  
 $\varnothing$  1 1/2" [38mm] Mounting Hole

Product Specifications:  
 EasyInstall Pre-Rinse Unit:  
 Single Deck Mount Base Mixing Faucet, Add-On-Faucet, 6" Swing Nozzle,  
 Compact Spring & Flexible Hose, Low Flow 0.65 GPM Spray Valve, 12" Wall  
 Bracket, Lever Handles, 19 11/16" [500mm] Flexible Supply Hoses w/ G1/2  
 Female Nut Fittings & Check Valve Adapter w/ 1/2" NPSM Inlets

Product Compliance:  
 ASME A112.18.1 / CSA B125.1  
 NSF 61 - Section 9  
 NSF 372 (Low Lead Content)  
 2019 DOE PRSV - Class I



# T&S BRASS AND BRONZE WORKS, INC.

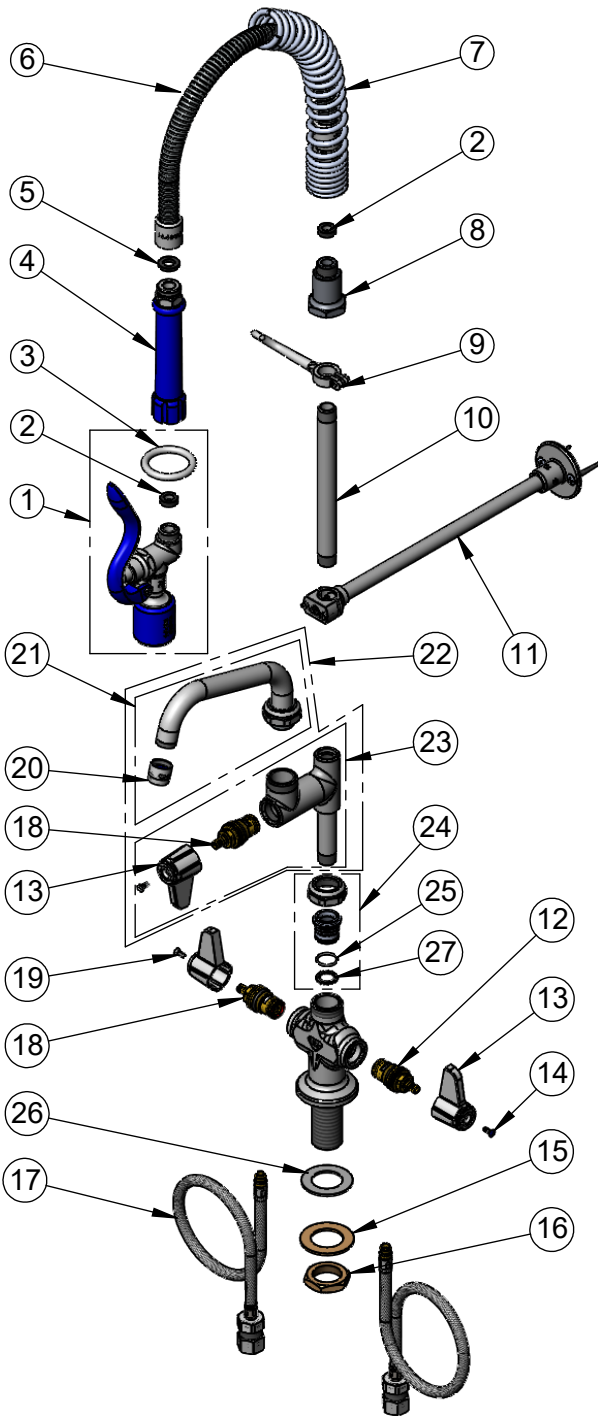
2 Saddleback Cove / P.O. Box 1088  
Travelers Rest, SC 29690

Model No.

**EMPU-2DLN-06**

Item No.

Travelers Rest, SC: 800-476-4103 • Simi Valley, CA: 800-423-0150 • Fax: 864-834-3518 • www.tsbrass.com



| ITEM NO. | SALES NO.   | DESCRIPTION                                    |
|----------|-------------|--|
| 1        | EB-0107-C   | Blue Low Flow Spray Valve                      |
| 2        | 010476-45   | #27 Washer                                     |
| 3        | 000907-45   | Hold Down Ring                                 |
| 4        | 011482-40   | Grip Handle (Blue)                             |
| 5        | 010475-45   | Washer, B-0100 Hose Barrel                     |
| 6        | B-0024-H2A  | 24" Flexible Stainless Steel Hose, Less handle |
| 7        | 016795-45   | Compact Pre-Rinse Spring                       |
| 8        | 000821-40   | Spring Body                                    |
| 9        | 004R        | Finger Hook                                    |
| 10       | 000363-40   | 3/8" x 7" Riser                                |
| 11       | B-0109-03   | 12" Wall Bracket                               |
| 12       | 013788-45   | Ceramic Cartridge, LTC                         |
| 13       | E-HDL-L     | EU Lever Handle & Color Coded Screws           |
| 14       | 014455-45   | Blue Lever Handle Screw (10 Pk)                |
| 15       | 002290-45   | Shank Washer                                   |
| 16       | 000965-45   | Shank Lock Nut                                 |
| 17       | 016068-25DR | Flexible Connector Hose w/ Check Valve Adapter |
| 18       | 013787-45   | Ceramic Cartridge, RTC                         |
| 19       | 014456-45   | Red Lever Handle Screw (10 Pk)                 |
| 20       | 014250-45   | 3/4" Full Flow Laminar Outlet                  |
| 21       | ES-06       | 6" Swing Nozzle, Euro                          |
| 22       | EU-AF06     | Add-On Faucet w/ 6" Swing Nozzle               |
| 23       | EU-AF00     | Add-On Faucet                                  |
| 24       | EU-EZ-K     | Euro EasyInstall Retro-Fit Kit                 |
| 25       | 001062-45   | O-Ring   |
| 26       | 014612-45   | Deck Seal                                      |
| 27       | 014200-45   | Star Washer, Anti-Rotation                     |

**Product Specifications:**

EasyInstall Pre-Rinse Unit:  
Single Deck Mount Base Mixing Faucet, Add-On-Faucet, 6" Swing Nozzle,  
Compact Spring & Flexible Hose, Low Flow 0.65 GPM Spray Valve, 12" Wall  
Bracket, Lever Handles, 19 11/16" [500mm] Flexible Supply Hoses w/ G1/2  
Female Nut Fittings & Check Valve Adapter w/ 1/2" NPSM Inlets

**Product Compliance:**

ASME A112.18.1 / CSA B125.1  
NSF 61 - Section 9  
NSF 372 (Low Lead Content)  
2019 DOE PRSV - Class I