



**Architect/Engineering Specifications:**

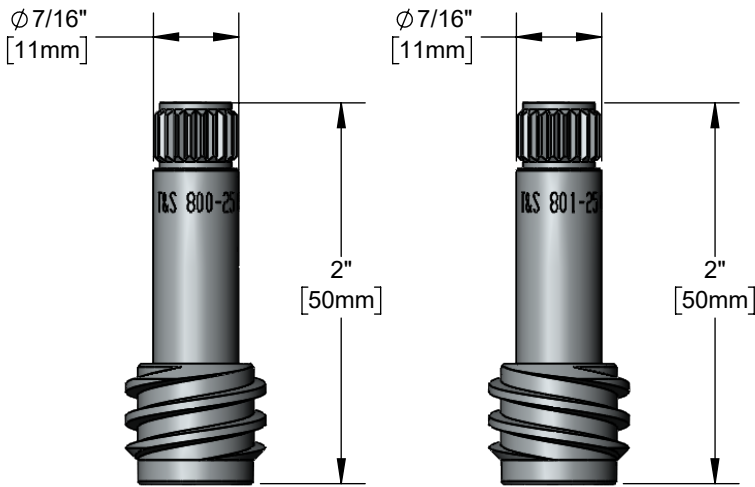
T&S B-1100 spindle replacement parts kit with Teflon seats. Certified to NSF 61–Section 9 and NSF 372.

Job Name \_\_\_\_\_

Model Specified \_\_\_\_\_ Quantity \_\_\_\_\_

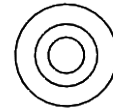
Variations Specified \_\_\_\_\_

Date \_\_\_\_\_



Removable Spindle, RTC  
(Qty = 1).

Removable Spindle, LTC  
(Qty = 1).



001136-45  
Teflon Seat  
Washer  
(Qty = 2)



000933-45  
Screw  
(Qty = 2)

**Features & Benefits:**

- RTC and LTC B-1100 compression cartridges spindles
- Teflon seat washers and screws
- Material: Chrome plated brass spindles

**Product Compliance:**

- NSF 61 - Section 9
- NSF 372 (Low Lead Content)



**Warranty:** One Year (Limited)

**Performance Data:**

- N/A

