



# T&S BRASS AND BRONZE WORKS, INC.

2 Saddleback Cove / P.O. Box 1088  
Travelers Rest, SC 29690

Model No.

**UMPK-6DLN-06**

Item No.

Travelers Rest, SC: 800-476-4103 • Simi Valley, CA: 800-423-0150 • Fax: 864-834-3518 • www.tsbrass.com

This Space for Architect/Engineer Approval

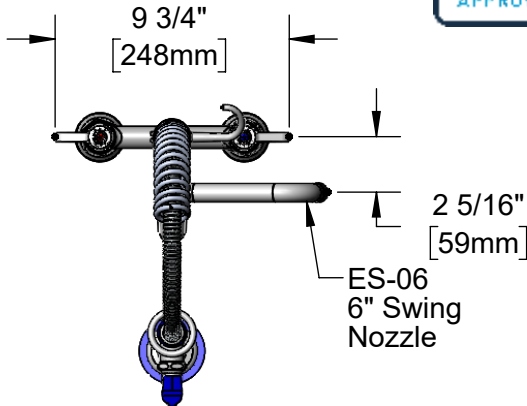
Job Name \_\_\_\_\_ Date \_\_\_\_\_

Model Specified \_\_\_\_\_ Quantity \_\_\_\_\_

Customer/Wholesaler \_\_\_\_\_

Contractor \_\_\_\_\_

Architect/Engineer \_\_\_\_\_



EB-0024-H  
24" Stainless Steel  
Hose w/ Polyurethane  
Inner Hose & Handle

Items Not Shown  
For Clarity

Finger  
Hook

EasyInstall  
Lock Nut &  
Bushing

UK-0107  
1.15 GPM  
Blue Spray  
Valve

B-0109-03  
12" Adjustable  
Wall Bracket

EasyInstall Add-On  
Faucet w/ equip  
Quarter-Turn  
Ceramic Cartridge  
& Lever Handle

equip Quarter-Turn  
Ceramic Cartridges w/  
Euro Lever Handles &  
Color Coded Screws

1/2" BSPT  
Male Inlets

1 9/16"  
[39mm]  
Maximum  
Thickness

Rough-In Requirement:  
(2)  $\phi$  1" [25mm] Holes

\* Dimensions Will Vary  $\pm$  1" Each Installation

Product Specifications:

EasyInstall Pre-Rinse Unit: 6" Deck Mount Mixing Faucet, Add-On-Faucet, 6" Swing Nozzle, Compact Spring & Hose, 1.15 GPM Spray Valve, 12" Wall Bracket, Lever Handles and 1/2" BSPT Male Inlets

Product Compliance:

WRAS Approved Product (UK)



# T&S BRASS AND BRONZE WORKS, INC.

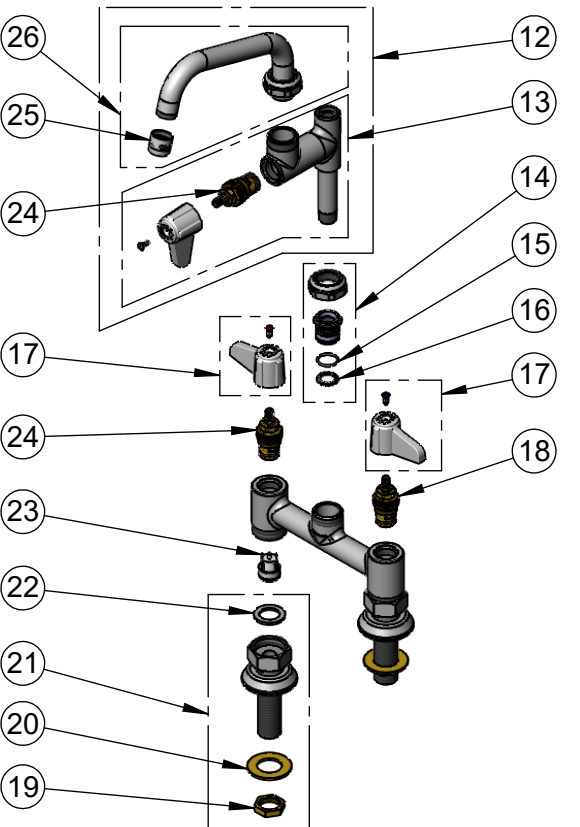
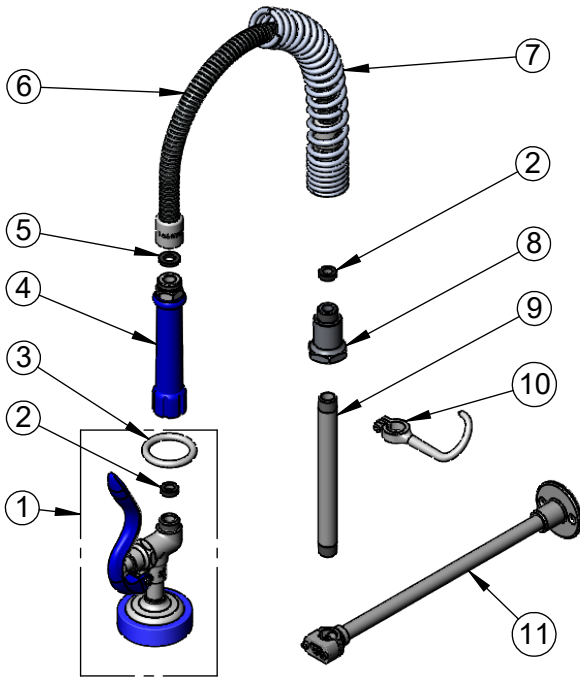
2 Saddleback Cove / P.O. Box 1088  
Travelers Rest, SC 29690

Model No.

**UMPK-6DLN-06**

Item No.

Travelers Rest, SC: 800-476-4103 • Simi Valley, CA: 800-423-0150 • Fax: 864-834-3518 • www.tsbrass.com



ITEM NO.	SALES NO.	DESCRIPTION
1	UK-0107	1.15 GPM Blue Pre-Rinse Spray Valve
2	010476-45	#27 Washer
3	000907-45	Spray Valve Hold Down Ring
4	011482-40	Blue Grip Handle
5	001014-45	Washer, Hose Barrel
6	B-0024-H2A	24" Flex Hose Less Handle
7	016795-45	Compact Spring
8	000821-40	Spring Body
9	000363-40	Nipple, 3/8" NPT x 7"
10	004R	Finger Hook
11	B-0109-03	12" Wall Bracket
12	EU-AF06	Add-On Faucet w/ 6" Swing Nozzle
13	EU-AF00	Add-On Faucet
14	EU-EZ-K	Euro EasyInstall Retro-Fit Kit
15	001062-45	O-Ring
16	014200-45	Star Washer, Anti-Rotation
17	E-HDL-L	EU Lever Hand w/ Color Coded Screws
18	013788-45	equip, Quarter-Turn Ceramic Cartridge, LTC
19	002954-45	Shank Lock Nut
20	000999-45	Brass Lock Washer
21	011473-40	UK Inlet Flange
22	010569-45	Washer, Inlet Flange Coupling (UK)
23	013840-45	20mm Check Valve
24	013787-45	equip, Quarter-Turn Ceramic Cartridge, RTC
25	014250-45	Laminar Full Flow Outlet Device
26	ES-06	6" Swing Nozzle, Euro

**Product Specifications:**

EasyInstall Pre-Rinse Unit: 6" Deck Mount Mixing Faucet, Add-On-Faucet, 6" Swing Nozzle, Compact Spring & Hose, 1.15 GPM Spray Valve, 12" Wall Bracket, Lever Handles and 1/2" BSPT Male Inlets

**Product Compliance:**

WRAS Approved Product (UK)