



**T&S BRASS AND BRONZE WORKS, INC.**  
 2 Saddleback Cove / P.O. Box 1088  
 Travelers Rest, SC 29690

Model No.  
**017225-45**

Item No.

Travelers Rest, SC: 800-476-4103 • Simi Valley, CA: 800-423-0150 • Fax: 864-834-3518 • www.tsbrass.com

This Space for Architect/Engineer Approval

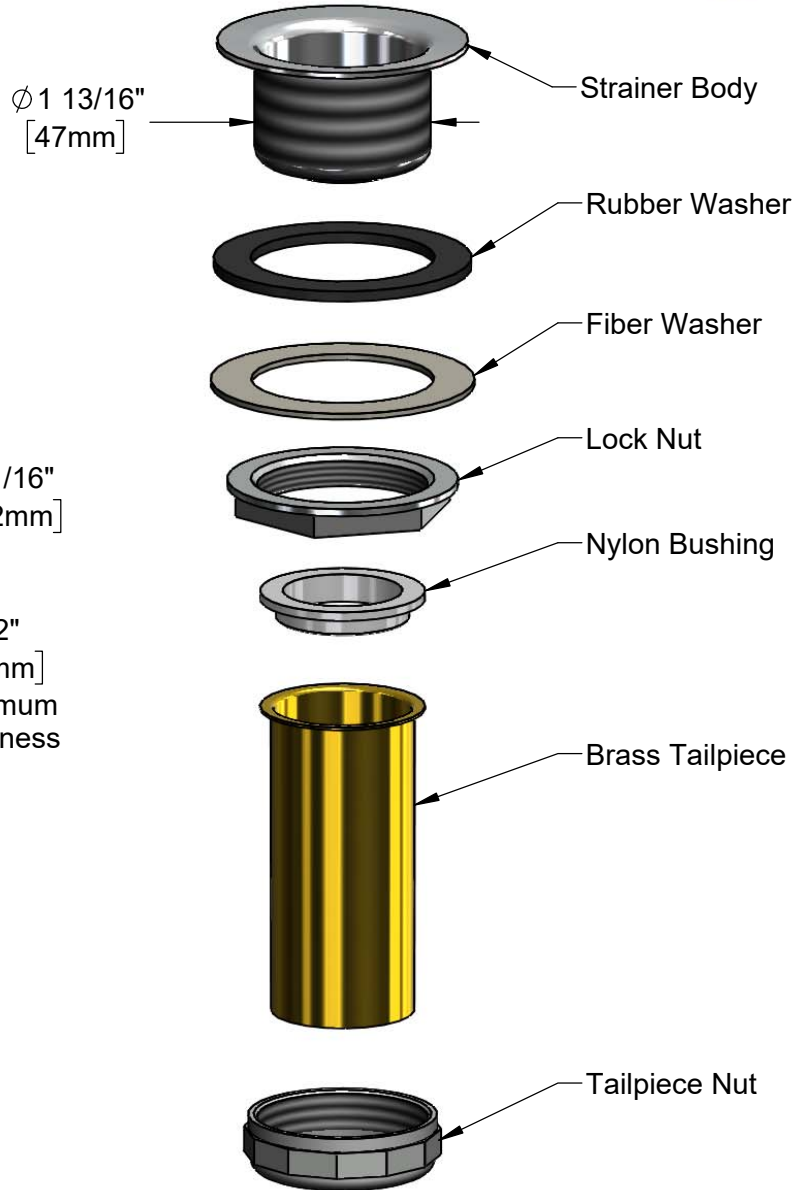
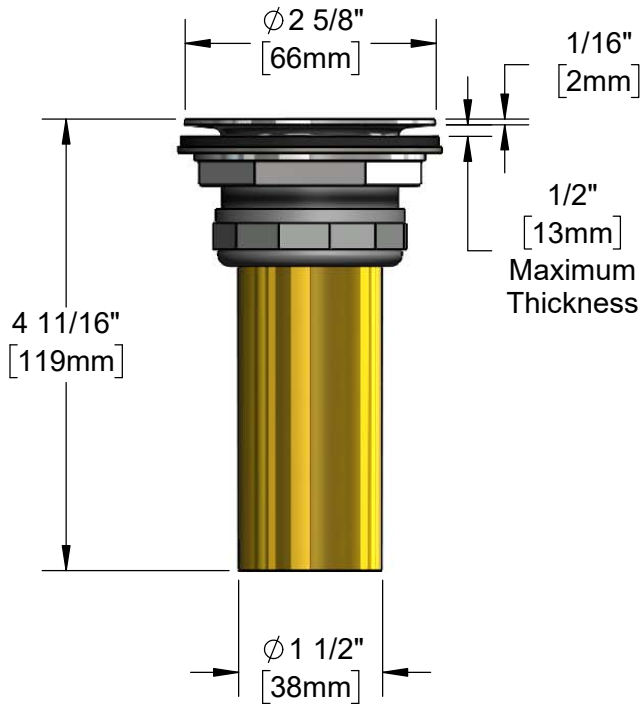
Job Name \_\_\_\_\_ Date \_\_\_\_\_

Model Specified \_\_\_\_\_ Quantity \_\_\_\_\_

Customer/Wholesaler \_\_\_\_\_

Contractor \_\_\_\_\_

Architect/Engineer \_\_\_\_\_



Note:  
 Fits Sinks with  $\phi 1 \frac{15}{16}$ " [49mm] to  $\phi 2 \frac{1}{4}$ " [57mm] Drain Hole

Product Specifications:  
 Dipperwell Drain Assembly Kit

Product Compliance:  
 ASME A112.18.2 / CSA B125.2