



T&S BRASS AND BRONZE WORKS, INC.
 2 Saddleback Cove / P.O. Box 1088
 Travelers Rest, SC 29690

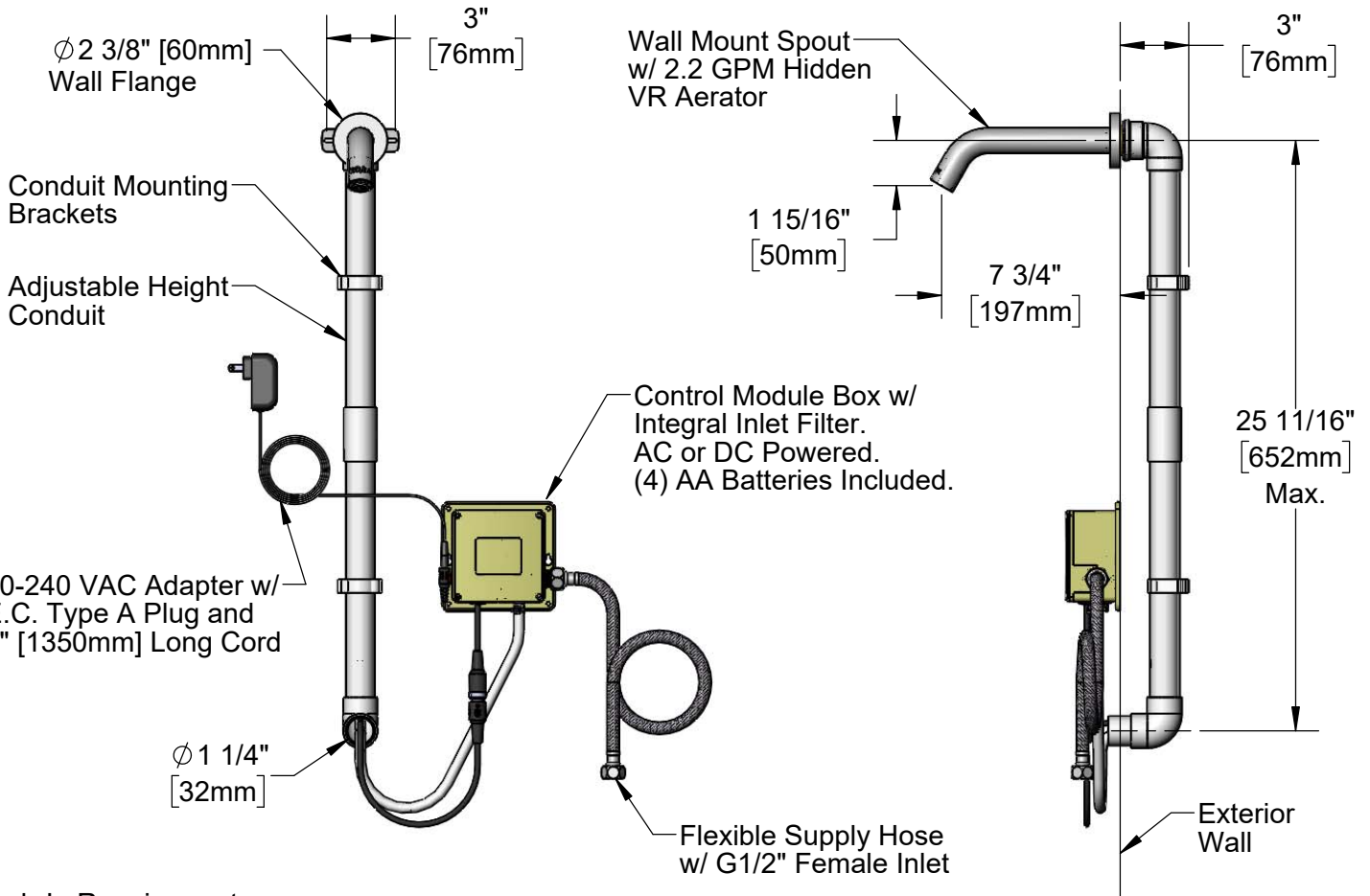
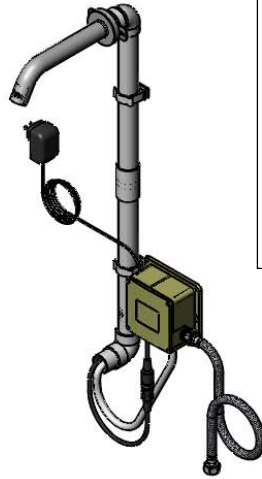
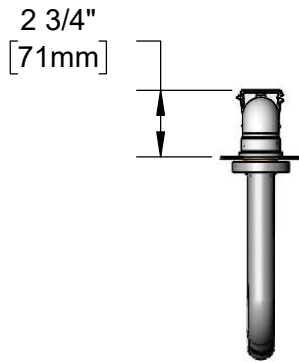
Model No.
CEF-1WS-ST

Item No.

Travelers Rest, SC: 800-476-4103 • Simi Valley, CA: 800-423-0150 • Fax: 864-834-3518 • www.tsbrass.com

This Space for Architect/Engineer Approval

Job Name _____ Date _____
 Model Specified _____ Quantity _____
 Customer/Wholesaler _____
 Contractor _____
 Architect/Engineer _____



Rough-In Requirement:
 ∅ 1 1/2" [38mm] Hole

Product Specifications:
 Single Hole, Single Temperature Wall Mount Sensor Spout, 2.2 GPM Hidden VR Aerator, Control Module, AC Adapter & G1/2" Flexible Supply Hose

Product Compliance:



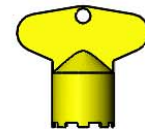
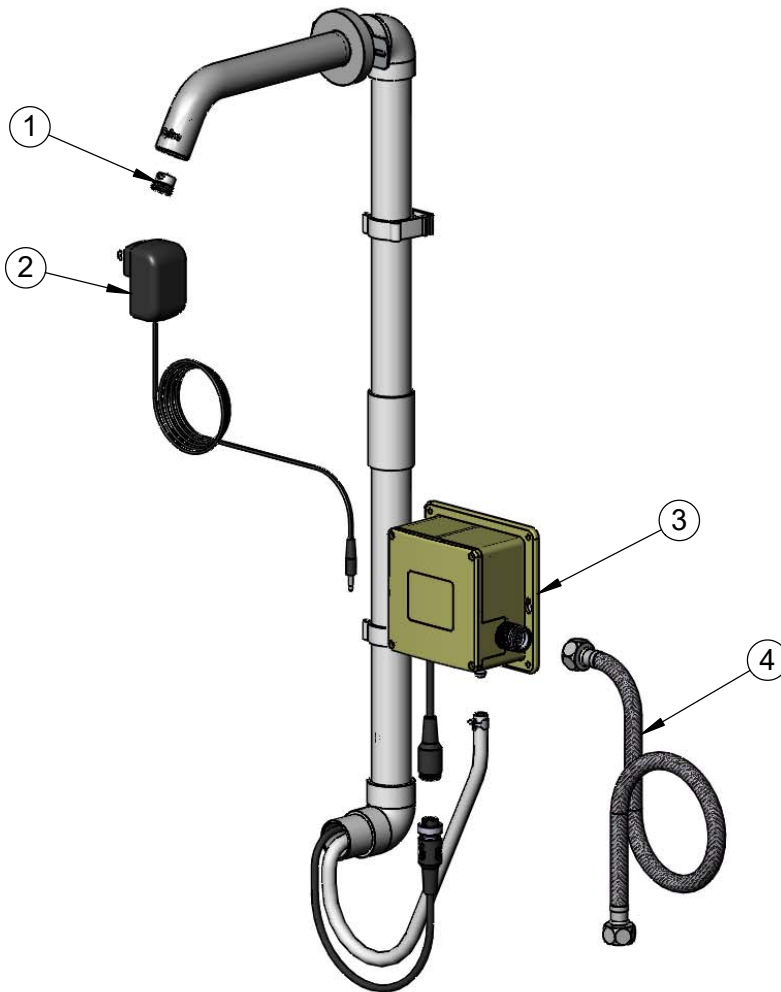
T&S BRASS AND BRONZE WORKS, INC.
 2 Saddleback Cove / P.O. Box 1088
 Travelers Rest, SC 29690

Model No.
CEF-1WS-ST

Item No.

Travelers Rest, SC: 800-476-4103 • Simi Valley, CA: 800-423-0150 • Fax: 864-834-3518 • www.tsbrass.com

ITEM NO.	SALES NO.	DESCRIPTION
1	EU-0199-M16-V22	2.2 GPM VR Hidden Aerator (TT) w/ VR Key
2	019924-45	Plug-in AC Transformer
3	020682-45	Control Module, CEF-1WS-ST
4	019927-45	Supply Hose, G 1/2" Connections



020673-45
 VR Key for
 Hidden Aerator (TT)
 (Sold Separately)

Product Specifications:
 Single Hole, Single Temperature Wall Mount Sensor Spout, 2.2 GPM Hidden VR Aerator, Control Module, AC Adapter & G1/2" Flexible Supply Hose

Product Compliance: