



T&S BRASS AND BRONZE WORKS, INC.

2 Saddleback Cove / P.O. Box 1088
Travelers Rest, SC 29690

Model No.

CEF-1DG-VF05

Item No.

Travelers Rest, SC: 800-476-4103 • Simi Valley, CA: 800-423-0150 • Fax: 864-834-3518 • www.tsbrass.com

This Space for Architect/Engineer Approval

Job Name _____ Date _____

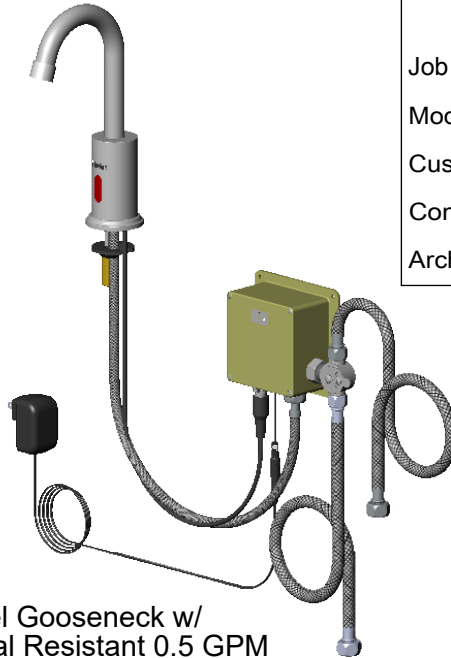
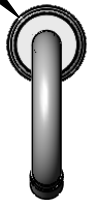
Model Specified _____ Quantity _____

Customer/Wholesaler _____

Contractor _____

Architect/Engineer _____

Ø 2 7/16"
[61mm]

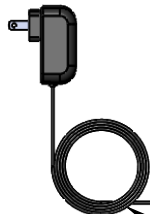


Swivel Gooseneck w/
Vandal Resistant 0.5 GPM
Non-Aerated Spray Device

Control Module Box w/
Integral Inlet Filter.
AC or DC Powered.
(4) AA Batteries Included.

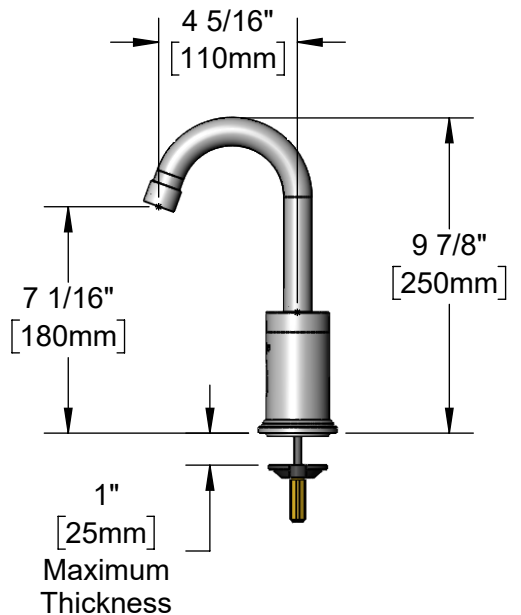
4 3/4"
[120mm]

4 15/16"
[125mm]



100-240 VAC Adapter w/
I.E.C. Type A Plug and
53" [1350mm] Long Cord

Flexible Supply Hoses
w/ G 1/2" Female Inlets



Rough-In Requirement:
Ø 1 1/4" [32mm] Mounting Hole

Product Specifications:
Single Hole Deck Mount Sensor Faucet w/ Swivel Gooseneck, VR 0.5 GPM
Non-Aerated Spray Device, Control Module, AC/DC Transformer, Mechanical
Mixing Valve and G 1/2" Flexible Supply Hoses

Product Compliance:



T&S BRASS AND BRONZE WORKS, INC.

2 Saddleback Cove / P.O. Box 1088
Travelers Rest, SC 29690

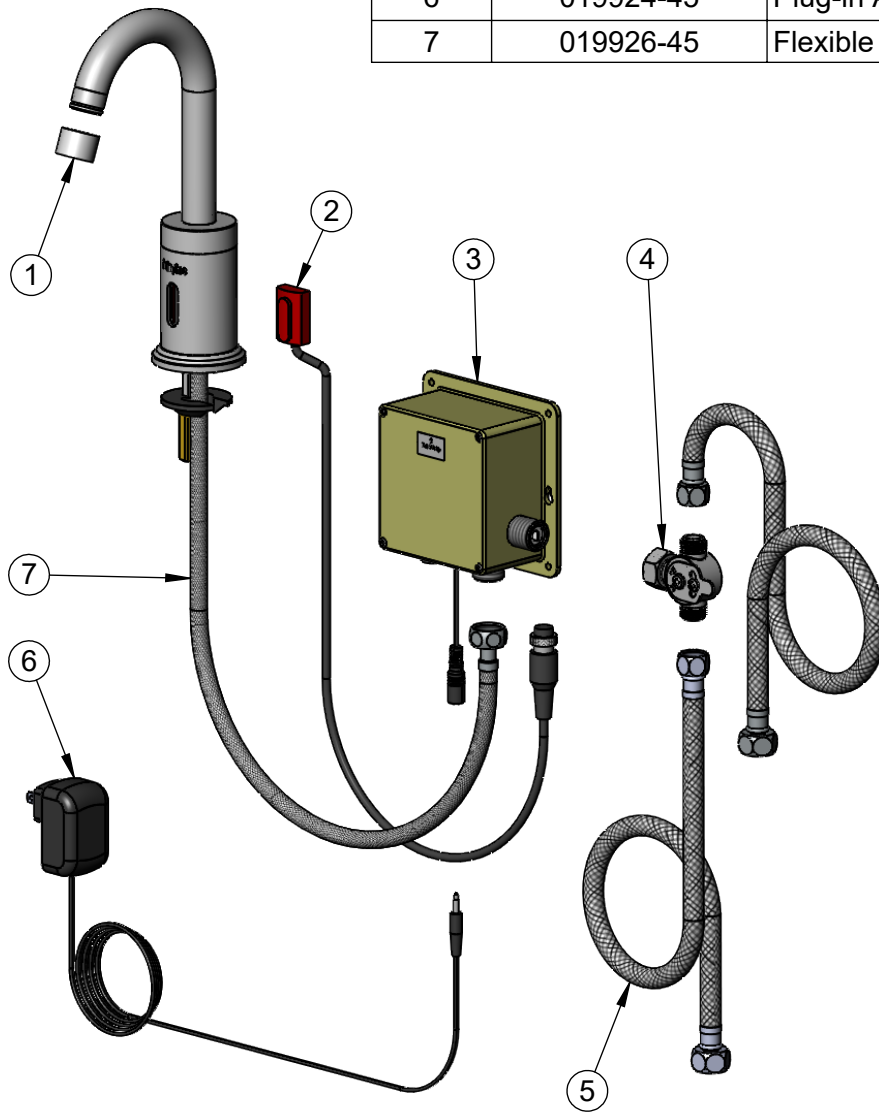
Model No.

CEF-1DG-VF05

Item No.

Travelers Rest, SC: 800-476-4103 • Simi Valley, CA: 800-423-0150 • Fax: 864-834-3518 • www.tsbrass.com

| ITEM NO. | SALES NO. | DESCRIPTION |
|----------|-----------------|--|
| 1 | EU-0199-M22-V05 | VR 0.5 GPM Spray Device, M22 x 1 Female |
| 2 | 020377-45 | Sensor Cable |
| 3 | 019920-45 | Control Module |
| 4 | 019921-45 | Mechanical Temperature Mixing Valve |
| 5 | 019922-45 | Supply Hose, G 3/8" x G 1/2" Connections |
| 6 | 019924-45 | Plug-in AC Transformer |
| 7 | 019926-45 | Flexible Connector Hose |



Product Specifications:

Single Hole Deck Mount Sensor Faucet w/ Swivel Gooseneck, VR 0.5 GPM Non-Aerated Spray Device, Control Module, AC/DC Transformer, Mechanical Mixing Valve and G 1/2" Flexible Supply Hoses

Product Compliance: