

T&S BRASS AND BRONZE WORKS, INC.
 2 Saddleback Cove / P.O. Box 1088
 Travelers Rest, SC 29690

Model No.
UMPM-6DLN-00

Item No.

Travelers Rest, SC: 800-476-4103 • Simi Valley, CA: 800-423-0150 • Fax: 864-834-3518 • www.tsbrass.com

This Space for Architect/Engineer Approval

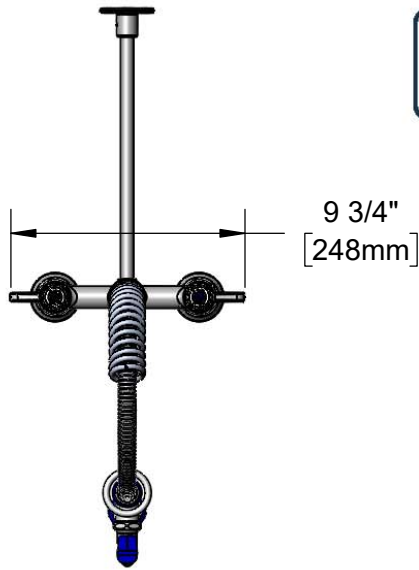
Job Name _____ Date _____

Model Specified _____ Quantity _____

Customer/Wholesaler _____

Contractor _____

Architect/Engineer _____

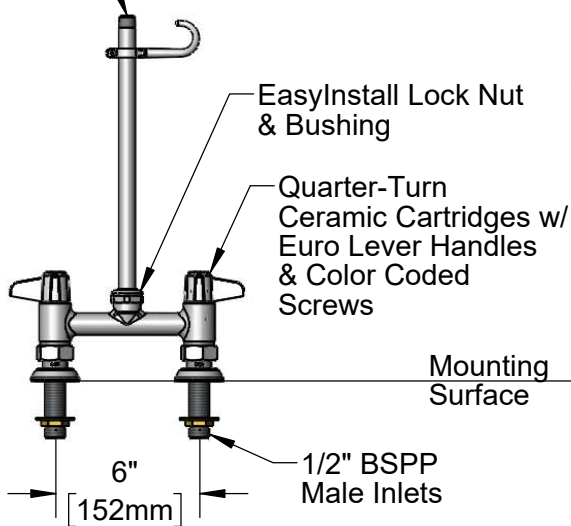


EB-0024-H
 24" Stainless Steel
 Hose w/ Polyurethane
 Inner Hose & Handle

* 8 7/8"
[226mm]

EB-0107-J
 1.07 GPM
 Spray Valve
 (Blue)

Items Not Shown
 For Clarity



* 24 3/8"
[618mm]

* 6 15/16"
[175mm]

Finger Hook

B-0109-03
 12" Adjustable
 Wall Bracket

145X
 3/8" NPT x
 12" Riser

Ø 2"
[52mm]

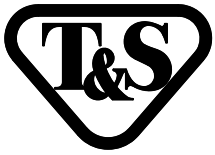
1 9/16"
[39mm]
 Maximum
 Thickness

Rough-In Requirement:
 (2) Ø 1" [25mm] Mounting Holes

* Dimensions Will Vary ±1" Each Installation

Product Specifications:
 Pre-Rinse Unit: 6" Deck Mount Mixing Faucet, Quarter-Turn Ceramic Cartridges, Euro Lever Handles, Compact Spring & Flexible Stainless Steel Hose, 1.07 GPM Blue Spray Valve, Integral Check Valves, 12" Wall Bracket & 1/2" BSPP Male Inlets

Product Compliance:
 WRAS Approved Product (UK)



T&S BRASS AND BRONZE WORKS, INC.

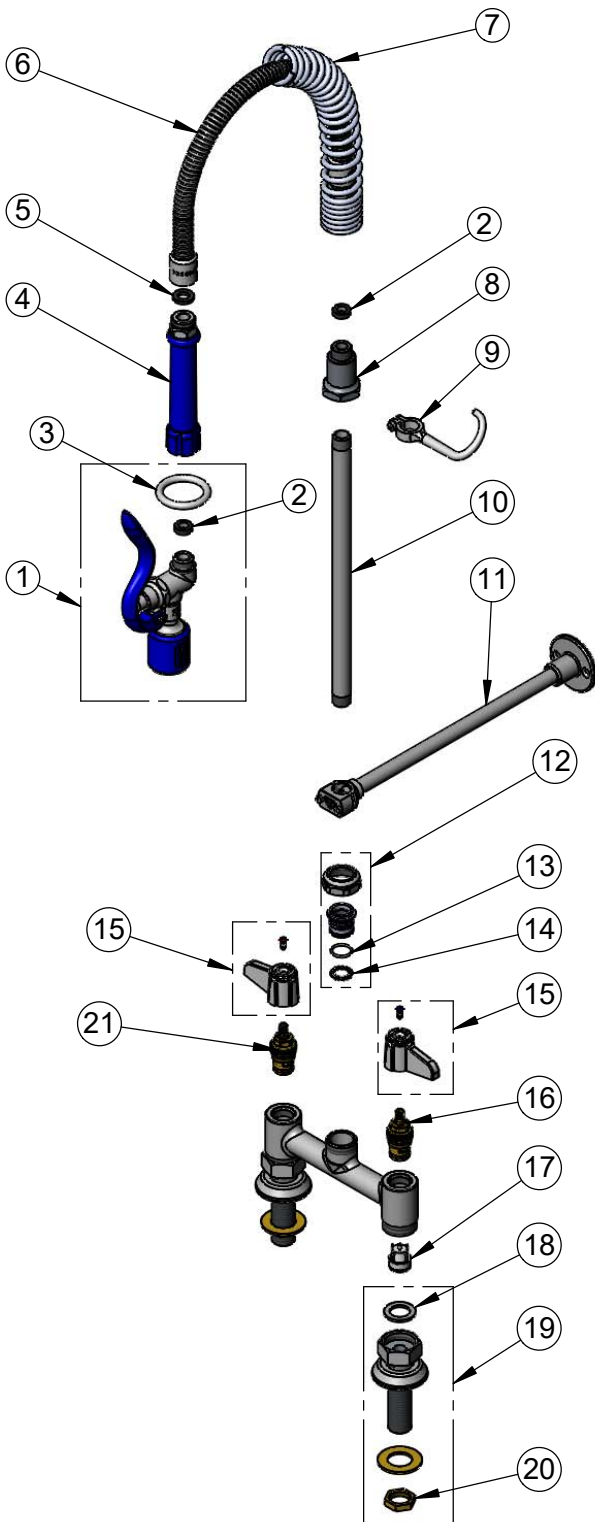
2 Saddleback Cove / P.O. Box 1088
Travelers Rest, SC 29690

Model No.

UMPM-6DLN-00

Item No.

Travelers Rest, SC: 800-476-4103 • Simi Valley, CA: 800-423-0150 • Fax: 864-834-3518 • www.tsbrass.com



ITEM NO.	SALES NO.	DESCRIPTION
1	EB-0107-J	1.07 GPM Blue Spray Valve
2	010476-45	#27 Washer
3	000907-45	Spray Valve Hold Down Ring
4	011482-40	Blue Grip Handle
5	001014-45	Washer, B-0100 Hose Barrel
6	B-0024-H2A	24" Flex Hose Less Handle
7	016795-45	Compact Spring
8	000821-40	Spring Body
9	004R	Finger Hook
10	145X	Nipple, 3/8" NPT x 12"
11	B-0109-03	12" Wall Bracket
12	EU-EZ-K	Euro EasyInstall Retro-Fit Kit
13	001062-45	O-Ring
14	014200-45	Star Washer, Anti-Rotation
15	E-HDL-L	EU Lever Handle & Blue/Red Screws
16	013788-45	equip, Quarter-Turn Ceramic Cartridge, LTC
17	013840-45	20mm Check Valve
18	010569-45	Washer, Inlet Flange Coupling (UK)
19	011473-40	UK Inlet Flange
20	002954-45	Shank Lock Nut
21	013787-45	equip, Quarter-Turn Ceramic Cartidge, RTC

Product Specifications:

Pre-Rinse Unit: 6" Deck Mount Mixing Faucet, Quarter-Turn Ceramic Cartridges, Euro Lever Handles, Compact Spring & Flexible Stainless Steel Hose, 1.07 GPM Blue Spray Valve, Integral Check Valves, 12" Wall Bracket & 1/2" BSPP Male Inlets

Product Compliance:

WRAS Approved Product (UK)