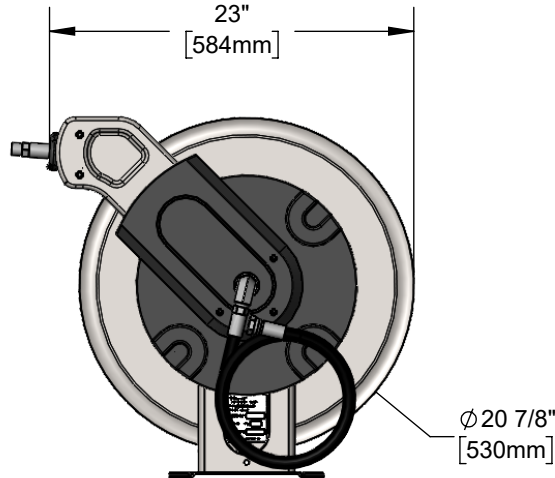
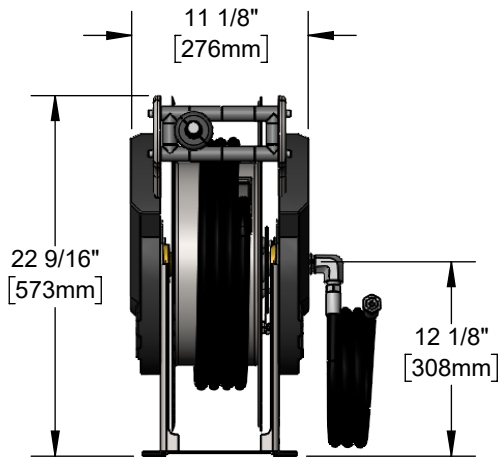
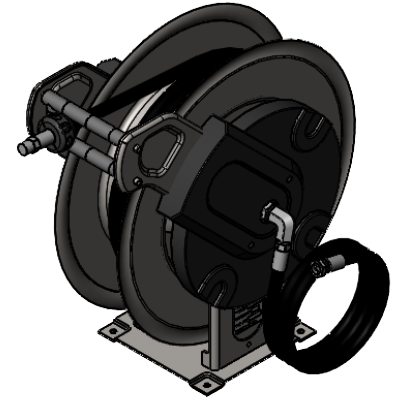


Architect/Engineering Specifications:

Open stainless steel, dual arm, hose reel, 1/2" x 82' hose, ratcheting system, bracket, adjustable hose bumper, 1.5m x 1/2" supply hose and 1/2" NPSM with bullnose female inlet (right side) and 1/2" NPT male outlet.

Job Name _____
Model Specified _____ Quantity _____
Variations Specified _____
Date _____



Features & Benefits:

- Open stainless steel dual arm hose reel
- 1/2" x 82' hose
- Ratcheting system holds the length of hose until a slight tug to retract automatically
- 1/2" NPT female inlet
- 1.5m x 1/2" supply hose with 1/2" NPSM female inlet
- 1/2" NPT male outlet
- Adjustable hose bumper
- Bracket for wall, ceiling or deck mounting
- Material: Stainless steel open reel

Product Compliance:

- NSF 61 Exempt (Non-Potable)

Warranty: One Year (Limited)

- Hose: One year (Limited)

Performance Data:

- Air/Water Pressure: 300 psi [20.69 bar] Max
- Temperature: 40°F - 180°F [4.44°C - 82.22°C]
- Flow Rate: 7.00 GPM [26.50 L/min] @ 60 psi [4.14 bar]

(Outlet Device &/or Final Configuration May Reduce Performance Ratings)