

This Space for Architect/Engineer Approval

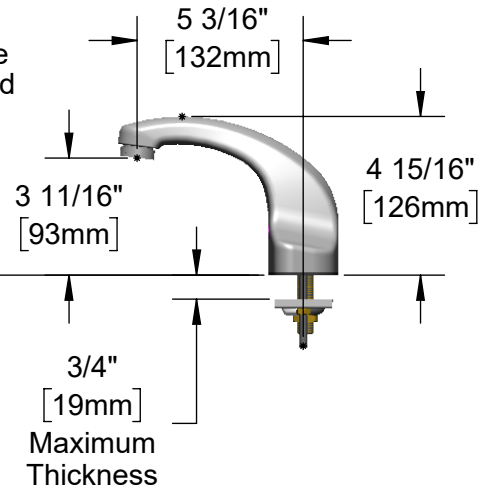
Job Name _____ Date _____
 Model Specified _____ Quantity _____
 Customer/Wholesaler _____
 Contractor _____
 Architect/Engineer _____



ADA Compliant

Polished Chrome Plated Brass
 Cast Spout w/ 2.2 GPM Vandal
 Resistant Aerator & Key

4" x 4 3/8" x 2 3/16" Deep
 [102mm x 111mm x 56mm]
 Water Resistant Control Module
 Box (Black), AC or DC Operated
 w/ (4) AA Batteries

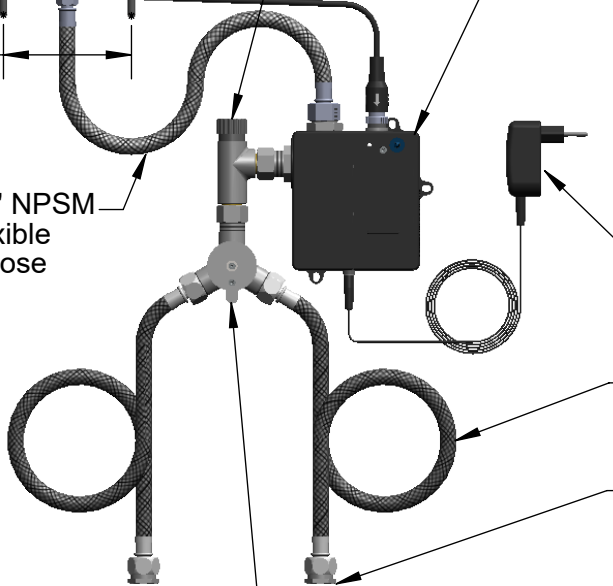


24" [610mm]
 Sensor Cable
 Removable
 Strainer

Mounting
 Surface

4"
 [102mm]

1/2" NPSM x 1/4" NPSM
 18" [457mm] Flexible
 Stainless Steel Hose



100-240 VAC Adapter (EU) w/
 71" [1800mm] Power Cord.
 (Remove Rubber Plug in
 Module to Connect)

(2) 1/2" NPSM Female x
 16" [406mm] Flexible
 Supply Hoses

(2) 1/2" NPSM Male x
 G3/8 Female Adapter
 w/ Sealing Washer

Mechanical Mixing Valve
 w/ Check Valves

Rough-In Requirement:

- (1) \varnothing 1" [25mm] Center Shank Mounting Hole
- (2) \varnothing 1/2" [13mm] Mounting Stud Holes on 4" [102mm] Centers

Model Number
5EF-EU4DS-C

Product Specifications:
 equip EU Sensor Faucet: Deck Mounted Spout, 4" c/c Mounting Posts,
 VR 2.2 GPM Aerator, EU Transformer, AC-DC Control Module,
 Mechanical Mixing Valve w/ Integral Check Valves & Flexible Supply Hoses

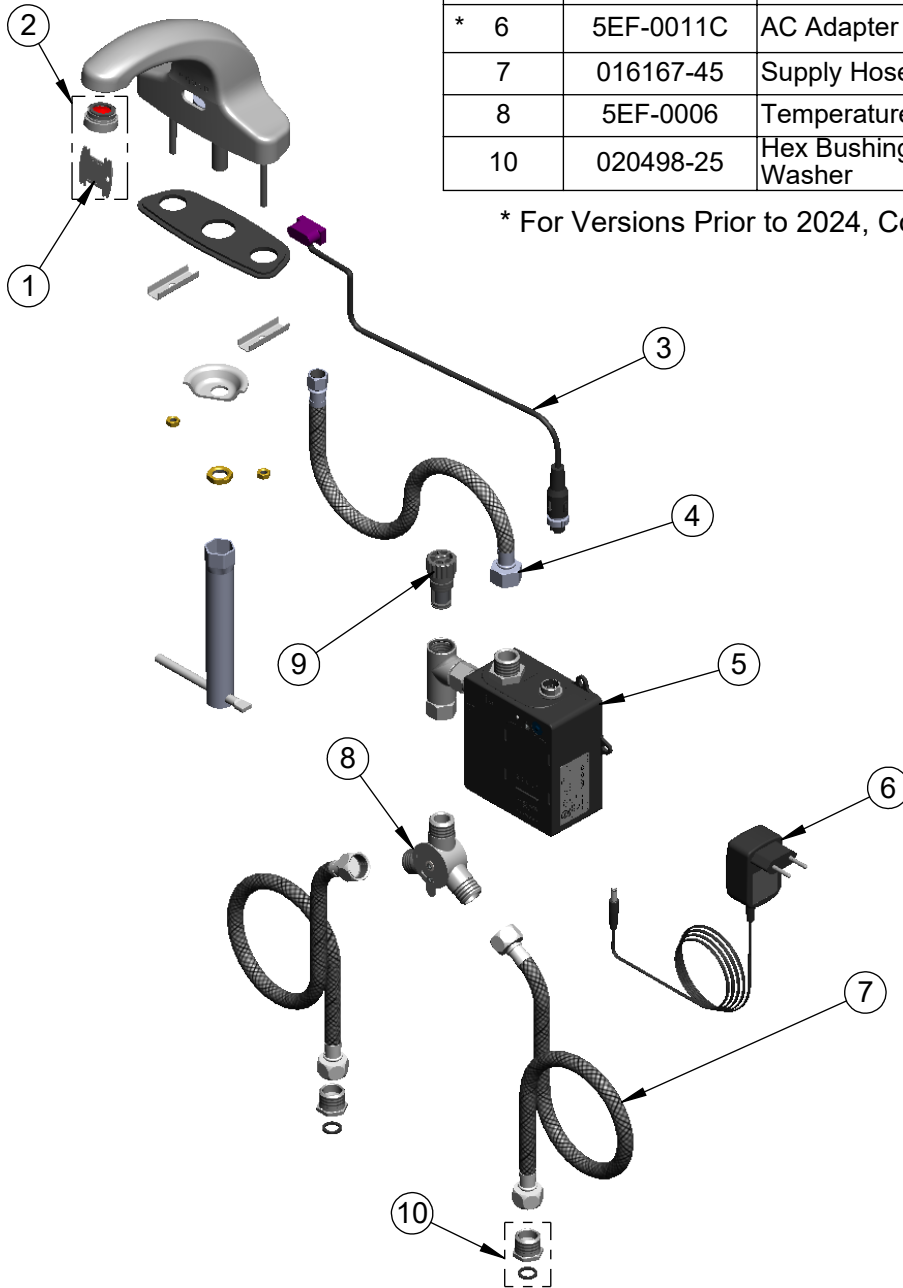
Product Compliance:
 ASME A112.18.1 / CSA B125.1
 NSF 61 - Section 9
 NSF 372 (Low Lead Content)
 UL 1951
 ANSI A117.1 (ADA)

equip
 Foodservice
 Accessories

2 Saddleback Cove, P.O. Box 1088
 Travelers Rest, South Carolina 29690
 Phone: 800.891.4808 Fax: 800.868.0084
 equip.tsbrass.com

ITEM NO.	SALES NO.	DESCRIPTION
1	015425-45	Vandal Resistant Key
2	B-0199-09	VR 2.2 GPM Aerator, 15/16-27 Male w/ Key
* 3	5EF-0003C	Sensor Cable w/ Flat Lens
4	016297-45	Inlet Hose, Faucet, 1/2" NPSM-F x 1/4" NPSM-F
* 5	5EF-0001C	equip Control Module (Black)
* 6	5EF-0011C	AC Adapter - EU Type Plug
7	016167-45	Supply Hose, 1/2"NPSM Female x 1/2 NPSM Female
8	5EF-0006	Temperature Mixing Valve
10	020498-25	Hex Bushing, G3/8 Female x 1/2" NPSM Male w/ Sealing Washer

* For Versions Prior to 2024, Consult with Customer Service



Model Number

5EF-EU4DS-C

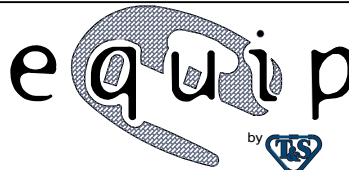
Product Specifications:

equip EU Sensor Faucet: Deck Mounted Spout, 4" c/c Mounting Posts, VR 2.2 GPM Aerator, EU Transformer, AC-DC Control Module, Mechanical Mixing Valve w/ Integral Check Valves & Flexible Supply Hoses

Product Compliance:

ASME A112.18.1 / CSA B125.1
NSF 61 - Section 9
NSF 372 (Low Lead Content)
UL 1951
ANSI A117.1 (ADA)

equip
Foodservice
Accessories



2 Saddleback Cove, P.O. Box 1088
Travelers Rest, South Carolina 29690
Phone: 800.891.4808 Fax: 800.868.0084
equip.tsbrass.com