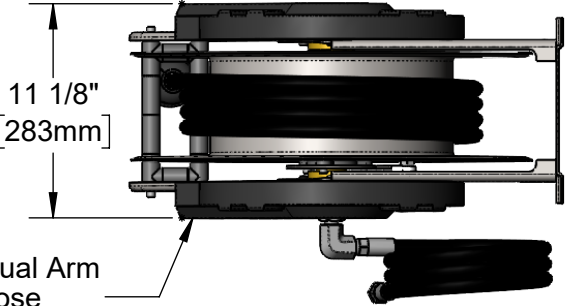
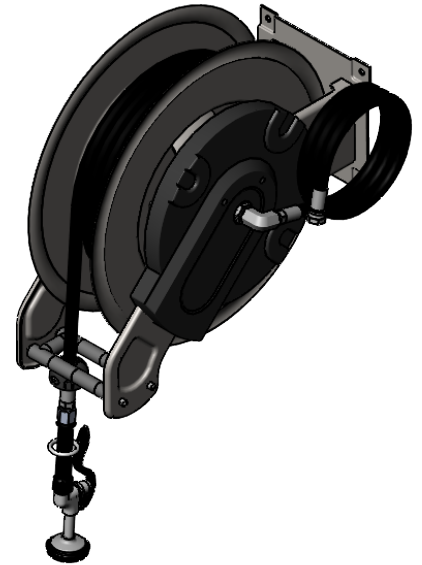
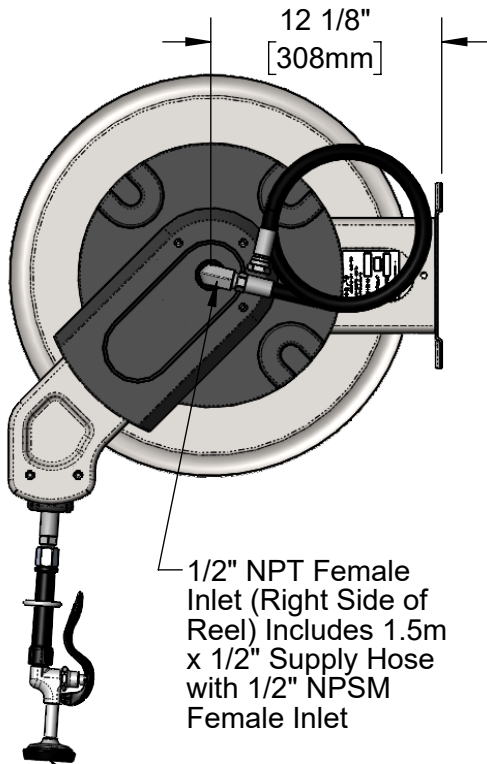


This Space for Architect/Engineer Approval

Job Name _____ Date _____
 Model Specified _____ Quantity _____
 Customer/Wholesaler _____
 Contractor _____
 Architect/Engineer _____

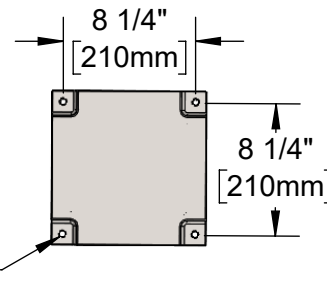
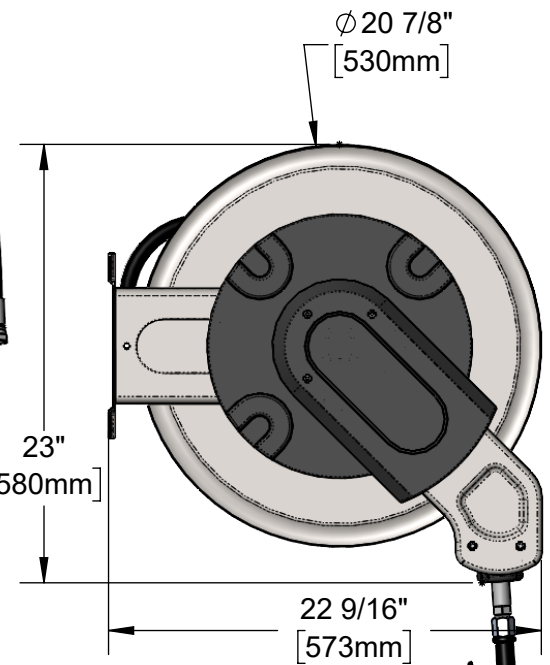
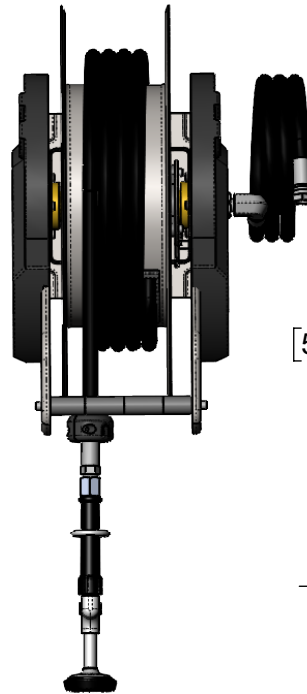


Stainless Steel Dual Arm
w/ ϕ 1/2" x 82' Hose



1/2" NPT Female Inlet (Right Side of Reel) Includes 1.5' x 1/2" Supply Hose with 1/2" NPSM Female Inlet

5SV-WH High Flow Spray Valve



Model Number

5HR-361-01

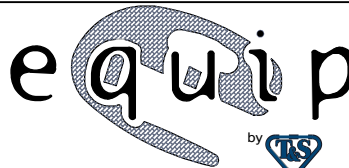
Product Compliance:

2019 DOE PRSV Non-Compliant
NSF 61 Exempt (Non-Potable)

Product Specifications:

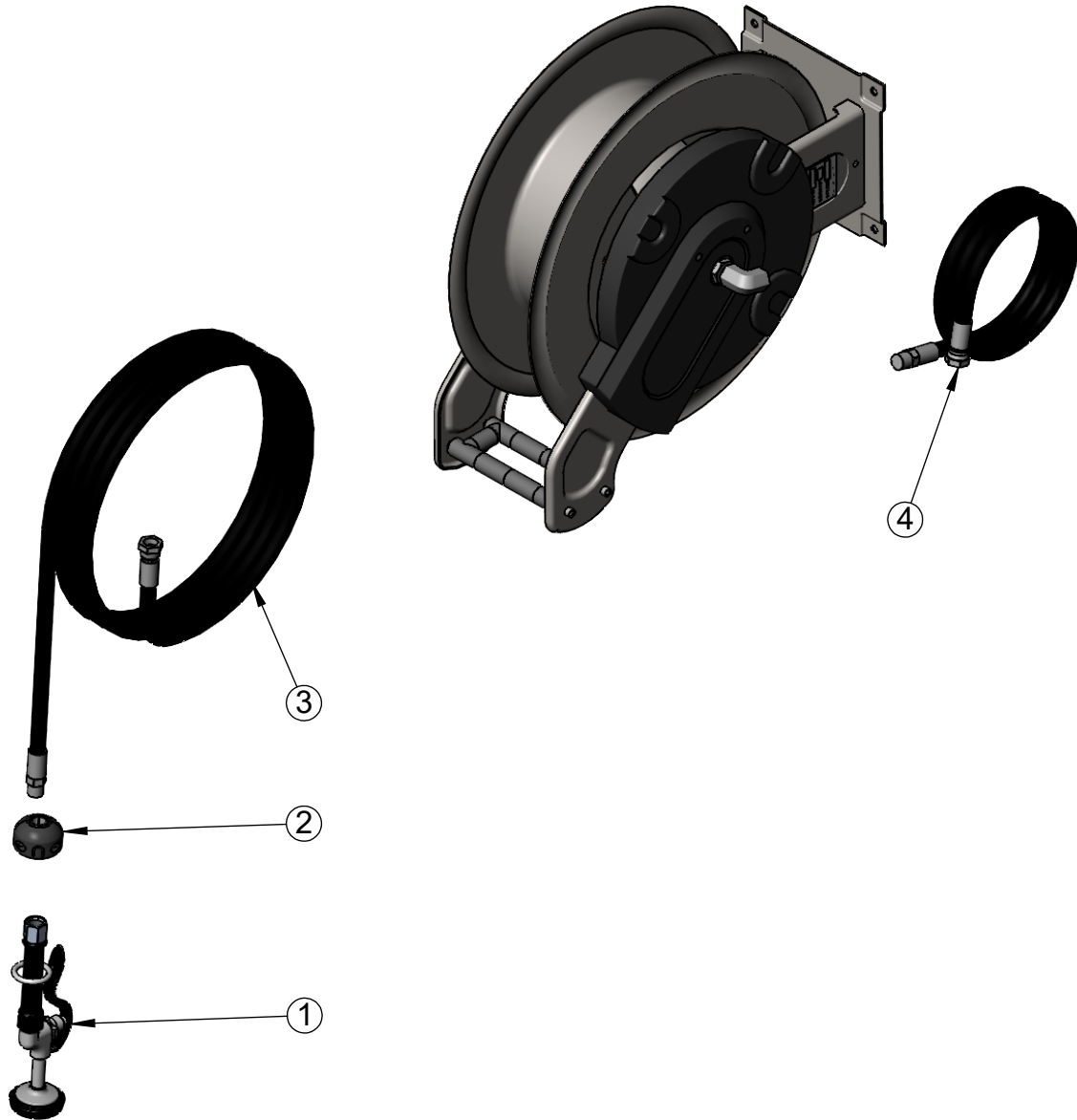
**Stainless Steel, Open, Dual Arm Hose Reel
w/ ϕ 1/2" x 82' Hose & High Flow Spray Valve**

equip
Foodservice
Accessories



2 Saddleback Cove, P.O. Box 1088
Travelers Rest, South Carolina 29690
Phone: 800.891.4808 Fax: 800.868.0084
equip.tsbrass.com

ITEM NO.	SALES NO.	DESCRIPTION
1	5SV-WH	Hose Reel Spray Valve
2	014950-45	Hose Stop Repair Kit
3	5HR-3HSE-82	Ø 1/2" x 82' Hose
4	021133-45	1.5m x 1/2" Supply Hose



Model Number

5HR-361-01

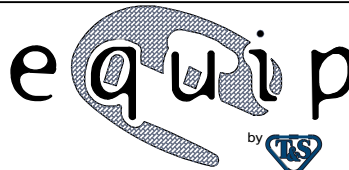
Product Specifications:

**Stainless Steel, Open, Dual Arm Hose Reel
w/ Ø1/2" x 82' Hose & High Flow Spray Valve**

Product Compliance:

2019 DOE PRSV Non-Compliant
NSF 61 Exempt (Non-Potable)

equip
Foodservice
Accessories



2 Saddleback Cove, P.O. Box 1088
Travelers Rest, South Carolina 29690
Phone: 800.891.4808 Fax: 800.868.0084
equip.tsbrass.com