



T&S BRASS AND BRONZE WORKS, INC.

2 Saddleback Cove / P.O. Box 1088
Travelers Rest, SC 29690

Model No.

CEF-1DS-VF05

Item No.

Travelers Rest, SC: 800-476-4103 • Simi Valley, CA: 800-423-0150 • Fax: 864-834-3518 • www.tsbrass.com

This Space for Architect/Engineer Approval

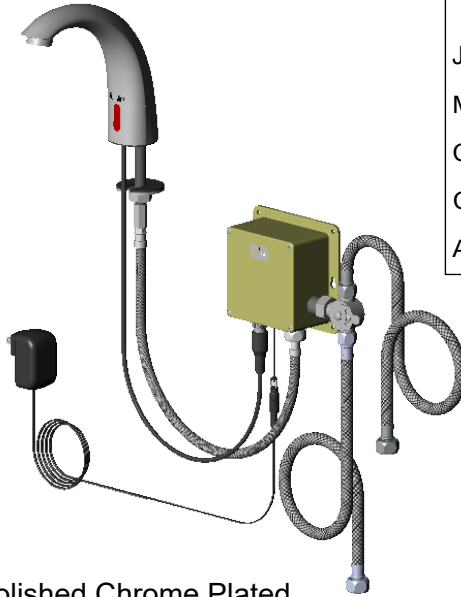
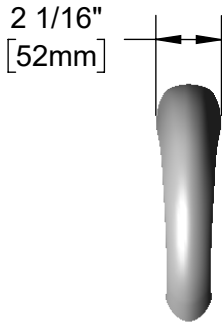
Job Name _____ Date _____

Model Specified _____ Quantity _____

Customer/Wholesaler _____

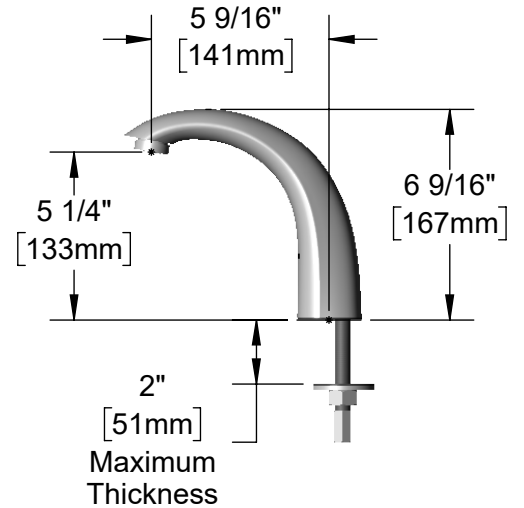
Contractor _____

Architect/Engineer _____



Polished Chrome Plated
Cast Brass Spout w/
Vandal Resistant 0.5 GPM
Non-Aerated Spray Device

Control Module Box w/
Integral Inlet Filter.
AC or DC Powered.
(4) AA Batteries Included.



4 3/4"
[120mm]

4 15/16"
[125mm]

Mechanical Temperature
Mixing Valve

Flexible Supply Hoses
w/ G 1/2" Female Inlets

100-240 VAC Adapter w/
I.E.C. Type A Plug and
53" [1350mm] Long Cord

Rough-In Requirement:

Ø 1 1/4" [32mm] Mounting Hole

Product Specifications:

Single Hole Deck Mount Sensor Faucet w/ Cast Spout, VR 0.5 GPM Non-Aerated Spray Device, Control Module, AC/DC Transformer, Mechanical Mixing Valve and G 1/2" Flexible Supply Hoses

Product Compliance:



T&S BRASS AND BRONZE WORKS, INC.

2 Saddleback Cove / P.O. Box 1088
Travelers Rest, SC 29690

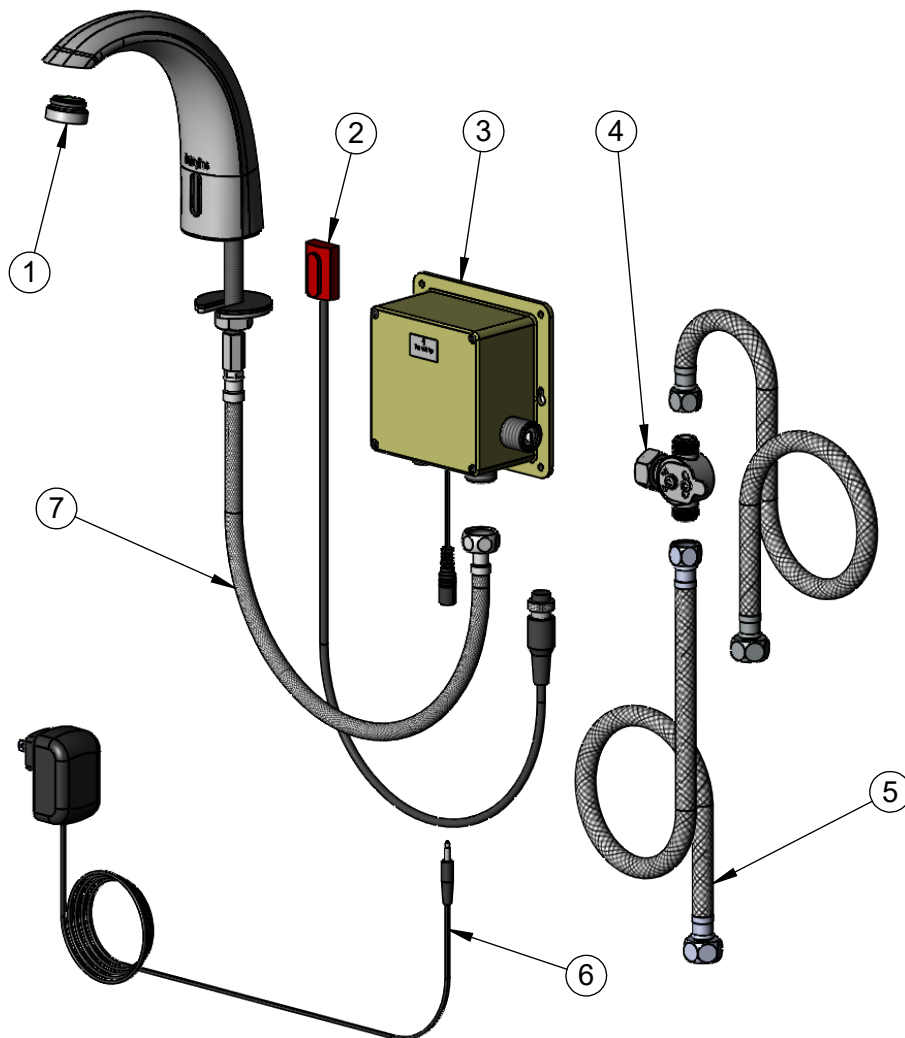
Model No.

CEF-1DS-VF05

Item No.

Travelers Rest, SC: 800-476-4103 • Simi Valley, CA: 800-423-0150 • Fax: 864-834-3518 • www.tsbrass.com

ITEM NO.	SALES NO.	DESCRIPTION
1	EU-0199-M24-V05	VR 0.5 GPM Spray Device, M24x1 Male
2	020377-45	Sensor Cable
3	019920-45	Control Module
4	019921-45	Mechanical Temperature Mixing Valve
5	019922-45	Supply Hose, G 3/8" x G 1/2" Connections
6	019924-45	Plug-in AC Transformer
7	019926-45	Flexible Connector Hose



Product Specifications:

Single Hole Deck Mount Sensor Faucet w/ Cast Spout, VR 0.5 GPM Non-Aerated Spray Device, Control Module, AC/DC Transformer, Mechanical Mixing Valve and G 1/2" Flexible Supply Hoses

Product Compliance: