



**T&S BRASS AND BRONZE WORKS, INC.**  
 2 Saddleback Cove / P.O. Box 1088  
 Travelers Rest, SC 29690

Model No.  
**EA-1DF09-LH**

Item No.

Travelers Rest, SC: 800-476-4103 • Simi Valley, CA: 800-423-0150 • Fax: 864-834-3518 • www.tsbrass.com

This Space for Architect/Engineer Approval

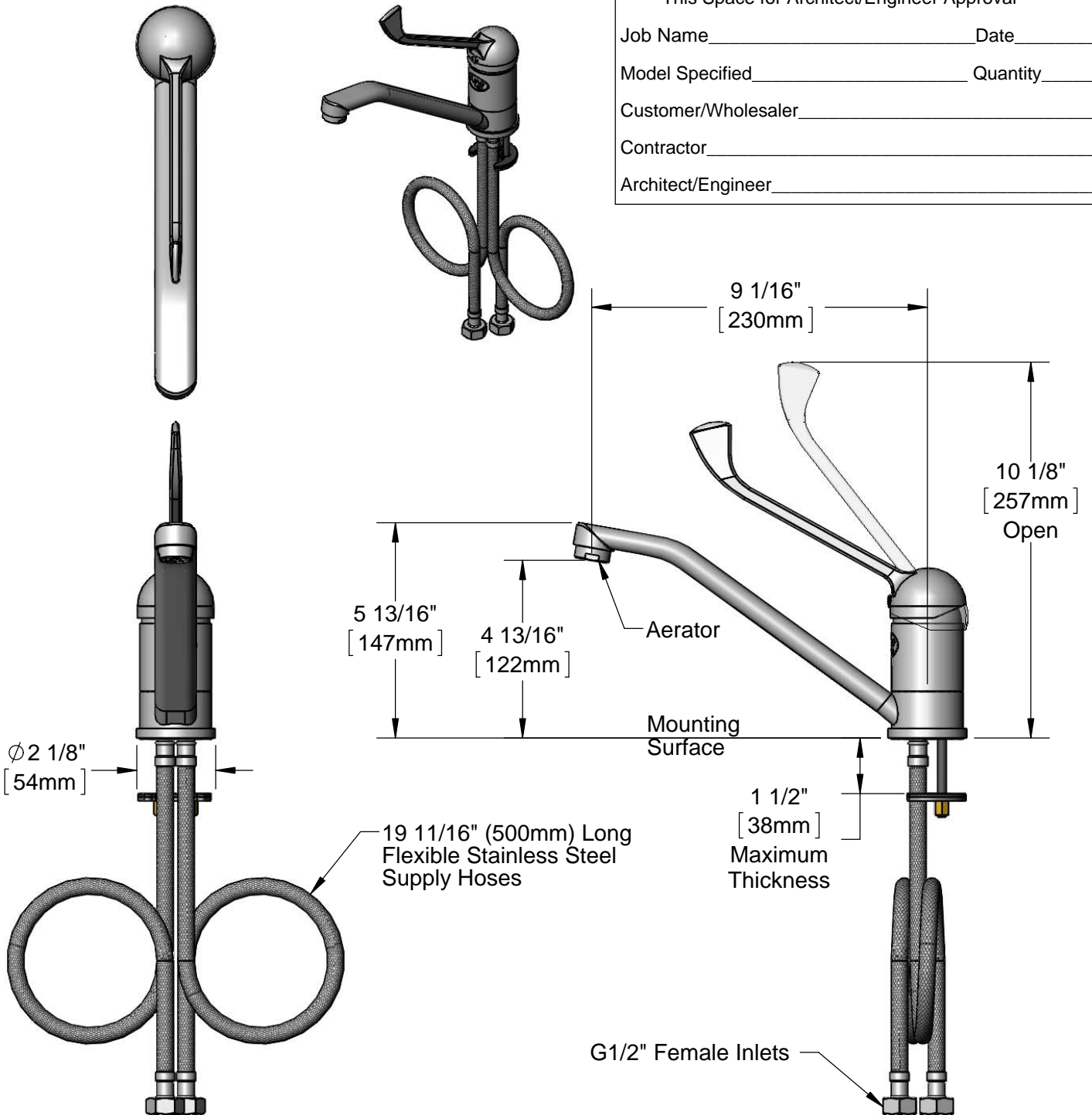
Job Name \_\_\_\_\_ Date \_\_\_\_\_

Model Specified \_\_\_\_\_ Quantity \_\_\_\_\_

Customer/Wholesaler \_\_\_\_\_

Contractor \_\_\_\_\_

Architect/Engineer \_\_\_\_\_



Rough-In Requirement:  
 $\phi$  1 1/2" [38mm] Hole

Product Specifications:  
 Single Lever Faucet w/ 9" Swivel Nozzle, Extended Lever Handle & Flexible  
 Stainless Steel Hoses

|                      |                       |                          |
|----------------------|-----------------------|--------------------------|
| Drawn<br><b>DMH</b>  | Checked<br><b>KJG</b> | Approved<br><b>JHB</b>   |
| Scale:<br><b>1:4</b> |                       | Date:<br><b>07/24/15</b> |



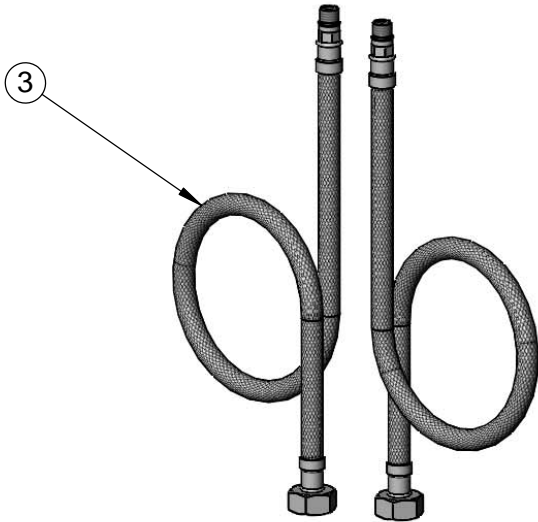
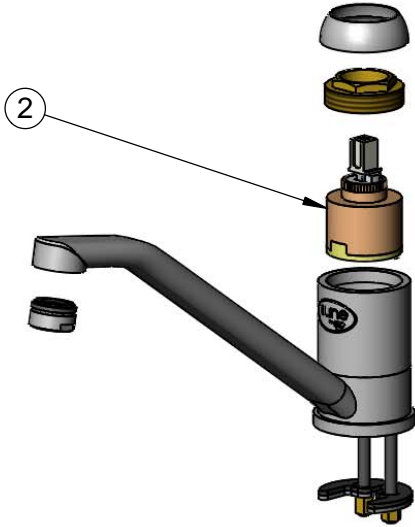
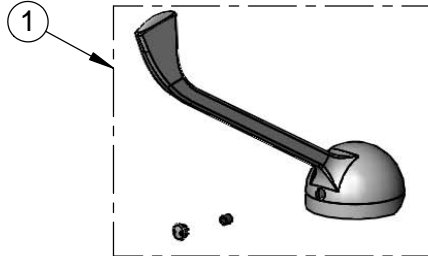
**T&S BRASS AND BRONZE WORKS, INC.**  
 2 Saddleback Cove / P.O. Box 1088  
 Travelers Rest, SC 29690

Model No.  
**EA-1DF09-LH**

Item No.

Travelers Rest, SC: 800-476-4103 • Simi Valley, CA: 800-423-0150 • Fax: 864-834-3518 • www.tsbrass.com

| ITEM NO. | SALES NO.       | DESCRIPTION                            |
|----------|-----------------|--|
| 1        | 019243-45       | Extended Lever Handle w/ Index & Screw |
| 2        | 019242-45       | 40mm S/L Ceramic Cartridge (Short)     |
| 3        | 018104-45       | Flexible Connector Hose (2)            |
| 12       | EU-0199-M24-FFA | Full Flow Aerator, M24x1 Male          |



Product Specifications:  
 Single Lever Faucet w/ 9" Swivel Nozzle, Extended Lever Handle & Flexible  
 Stainless Steel Hoses

|                      |                       |                          |
|----------------------|-----------------------|--------------------------|
| Drawn<br><b>DMH</b>  | Checked<br><b>KJG</b> | Approved<br><b>JHB</b>   |
| Scale:<br><b>NTS</b> |                       | Date:<br><b>07/24/15</b> |