



# T&S BRASS AND BRONZE WORKS, INC.

2 Saddleback Cove / P.O. Box 1088  
Travelers Rest, SC 29690

Model No.  
**CEF-4DS**

Item No.

Travelers Rest, SC: 800-476-4103 • Simi Valley, CA: 800-423-0150 • Fax: 864-834-3518 • www.tsbrass.com

This Space for Architect/Engineer Approval

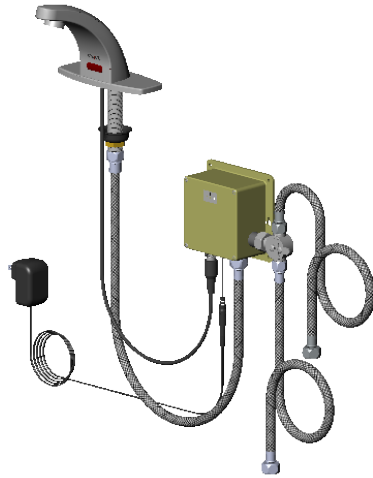
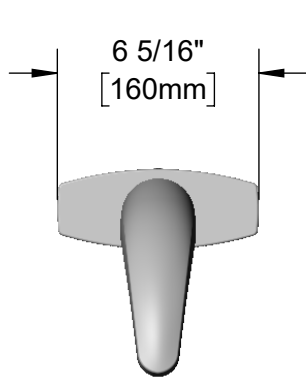
Job Name \_\_\_\_\_ Date \_\_\_\_\_

Model Specified \_\_\_\_\_ Quantity \_\_\_\_\_

Customer/Wholesaler \_\_\_\_\_

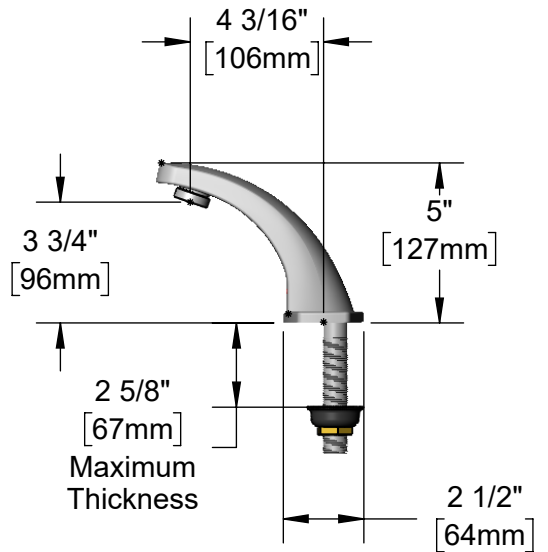
Contractor \_\_\_\_\_

Architect/Engineer \_\_\_\_\_



Polished Chrome Plated  
Cast Brass Spout w/  
Vandal Resistant  
1.5 GPM [5.7L/min] Aerator

Control Module Box w/  
Integral Inlet Filter.  
AC or DC Powered.  
(4) AA Batteries Included.



4 3/4"  
[120mm]

4 15/16"  
[125mm]

Mechanical Temperature  
Mixing Valve

Flexible Supply Hoses  
w/ G 1/2" Female Inlets

100-240 VAC Adapter w/  
I.E.C. Type A Plug and  
53" [1350mm] Long Cord

Rough-In Requirement:  
Ø 1 1/4" [32mm] Mounting Hole

Product Specifications:  
Single Hole Deck Mount Sensor Faucet w/ Cast Spout, Deck Plate,  
VR 1.5 GPM Aerator, Control Module, AC/DC Transformer, Mechanical  
Mixing Valve and G 1/2" Flexible Supply Hoses

Product Compliance:



# T&S BRASS AND BRONZE WORKS, INC.

2 Saddleback Cove / P.O. Box 1088  
Travelers Rest, SC 29690

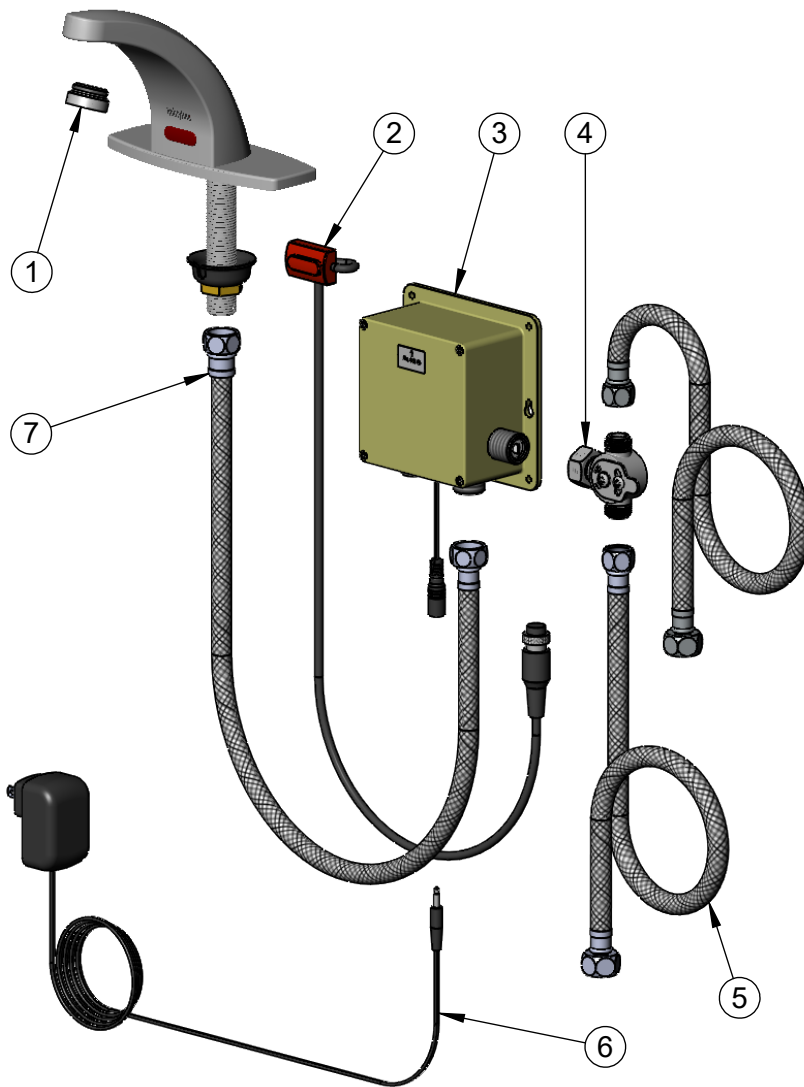
Model No.

**CEF-4DS**

Item No.

Travelers Rest, SC: 800-476-4103 • Simi Valley, CA: 800-423-0150 • Fax: 864-834-3518 • www.tsbrass.com

ITEM NO.	SALES NO.	DESCRIPTION
1	EU-0199-M24-V15	VR 1.5 GPM Aerator, M24x1 Male
2	020377-45	Sensor Cable
3	019920-45	Control Module
4	019921-45	Mechanical Temperature Mixing Valve
5	019922-45	Supply Hose, G 3/8" x G 1/2" Connections
6	019924-45	Plug-in AC Transformer
7	019927-45	Supply Hose, G 1/2" Connections



**Product Specifications:**

Single Hole Deck Mount Sensor Faucet w/ Cast Spout, Deck Plate, VR 1.5 GPM Aerator, Control Module, AC/DC Transformer, Mechanical Mixing Valve and G 1/2" Flexible Supply Hoses

**Product Compliance:**