



T&S BRASS AND BRONZE WORKS, INC.
 2 Saddleback Cove / P.O. Box 1088
 Travelers Rest, SC 29690

Model No.
EB-0107-JSW-40H

Item No.

Travelers Rest, SC: 800-476-4103 • Simi Valley, CA: 800-423-0150 • Fax: 864-834-3518 • www.tsbrass.com

This Space for Architect/Engineer Approval

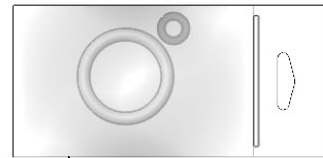
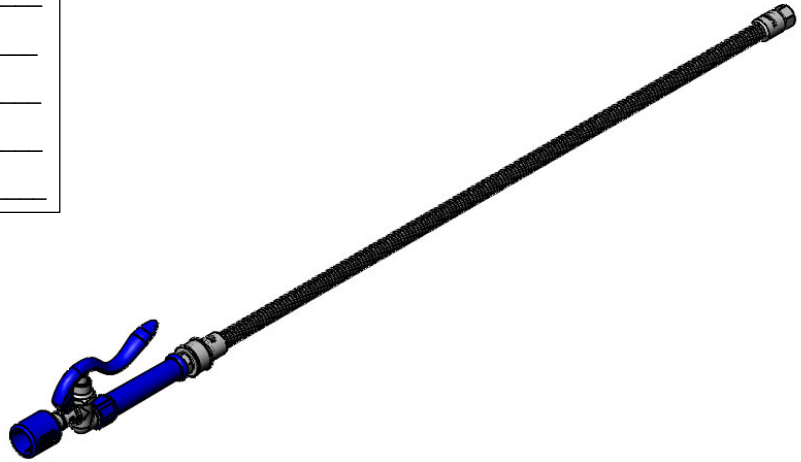
Job Name _____ Date _____

Model Specified _____ Quantity _____

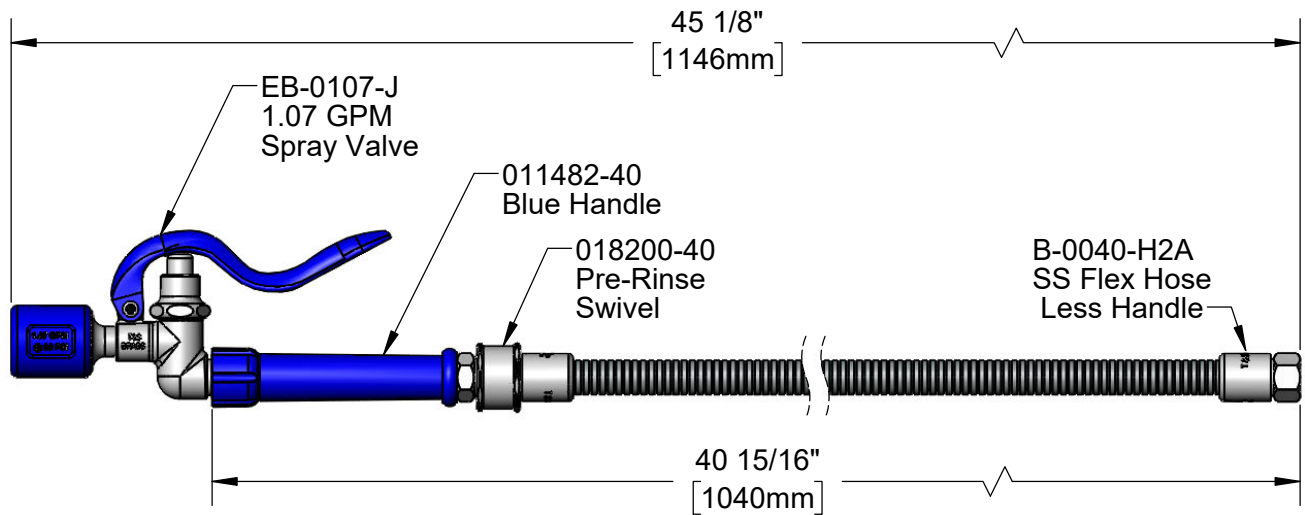
Customer/Wholesaler _____

Contractor _____

Architect/Engineer _____



Hold Down Ring w/
 Hose Washer
 (Included)



Product Specifications:
 Pre-Rinse Unit Accessory:
 Blue 1.07 GPM Spray Valve w/ 40" Flexible Stainless Steel Hose
 & Swivel

Product Compliance:
 ASME A112.18.1 / CSA B125.1
 NSF 61 - Section 9
 NSF 372 (Low Lead Content)
 2019 DOE PRSV - Class II



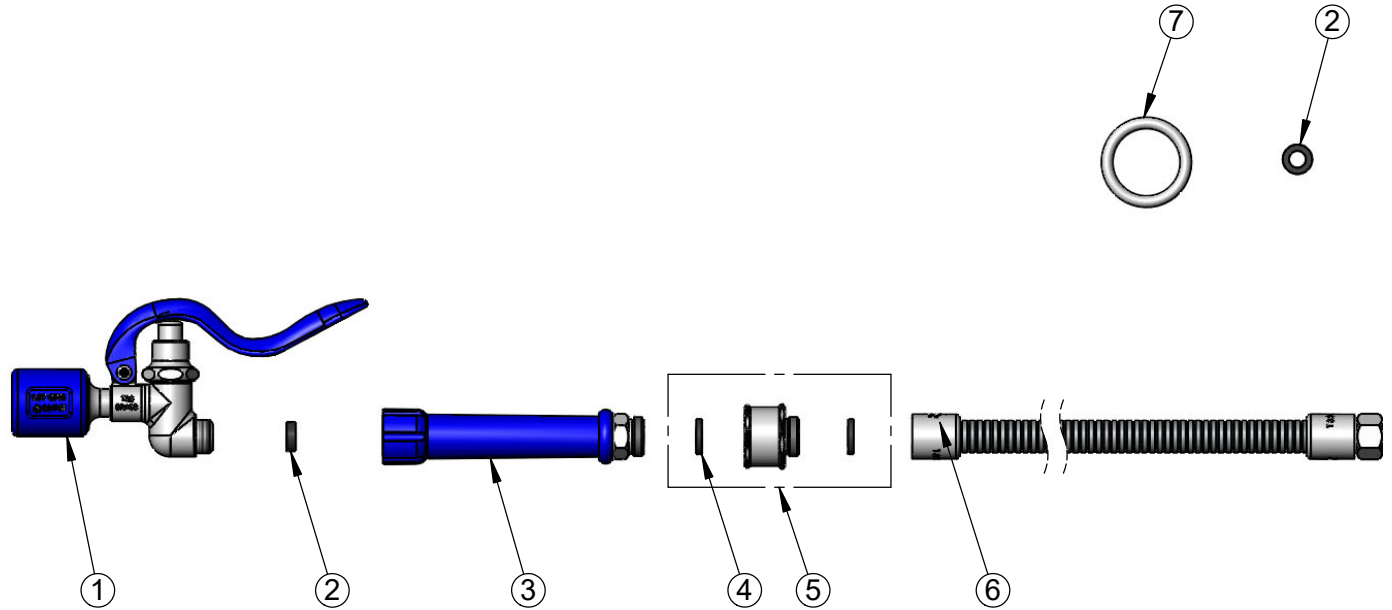
T&S BRASS AND BRONZE WORKS, INC.
 2 Saddleback Cove / P.O. Box 1088
 Travelers Rest, SC 29690

Model No.
EB-0107-JSW-40H

Item No.

Travelers Rest, SC: 800-476-4103 • Simi Valley, CA: 800-423-0150 • Fax: 864-834-3518 • www.tsbrass.com

ITEM NO.	SALES NO.	DESCRIPTION
1	EB-0107-J	1.07 GPM Spray Valve w/ Hold Down Ring & Washer
2	010476-45	#27 Washer
3	011482-40	Blue Grip Handle
4	001014-45	Washer, B-0100 Hose Barrel
5	018200-40	Pre-Rinse Swivel
6	B-0040-H2A	40" Flexible Stainless Steel Hose, Less Handle
7	000907-45	Spray Valve Hold Down Ring



Product Specifications:
 Pre-Rinse Unit Accessory:
 Blue 1.07 GPM Spray Valve w/ 40" Flexible Stainless Steel Hose & Swivel

Product Compliance:
 ASME A112.18.1 / CSA B125.1
 NSF 61 - Section 9
 NSF 372 (Low Lead Content)
 2019 DOE PRSV - Class II