



T&S BRASS AND BRONZE WORKS, INC.

2 Saddleback Cove / P.O. Box 1088
Travelers Rest, SC 29690

Model No.

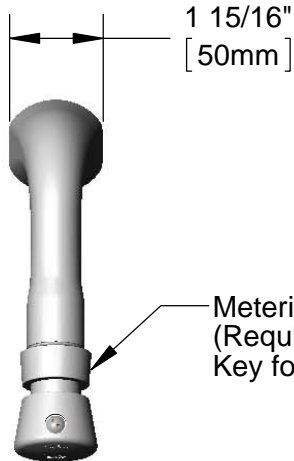
B-0805-F05

Item No.

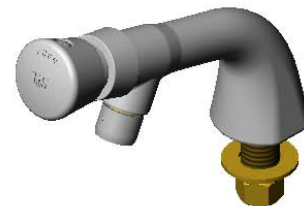
Travelers Rest, SC: 800-476-4103 • Simi Valley, CA: 800-423-0150 • Fax: 864-834-3518 • www.tsbrass.com



ADA Compliant



Metering Cartridge
(Requires 3/32" Hex Key for Adjustment)



This Space for Architect/Engineer Approval

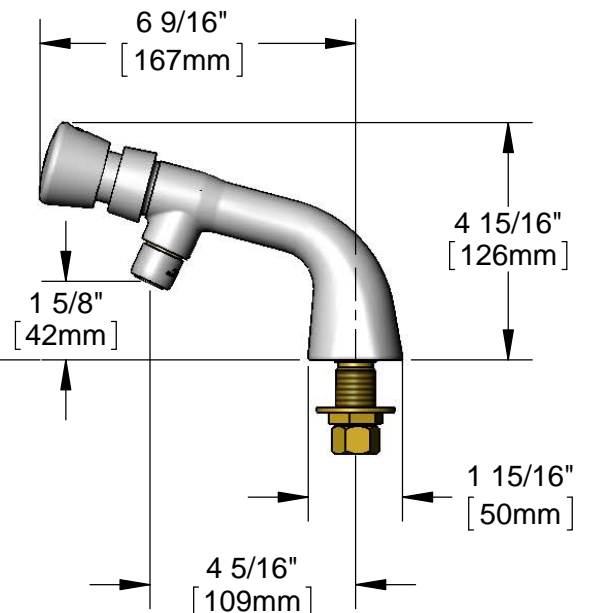
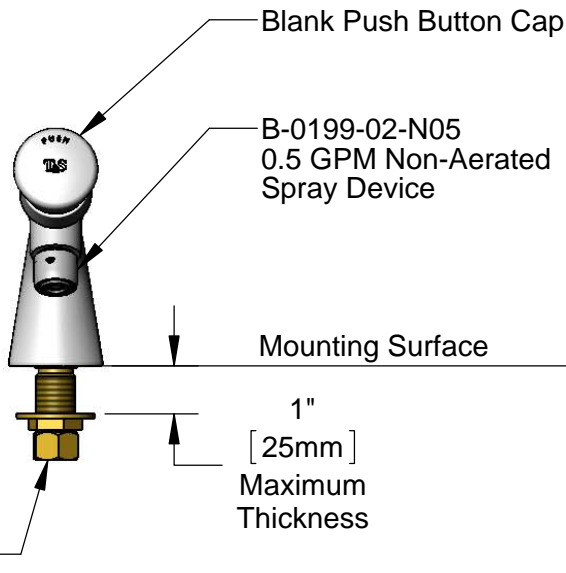
Job Name _____ Date _____

Model Specified _____ Quantity _____

Customer/Wholesaler _____

Contractor _____

Architect/Engineer _____



Rough-In Requirement:
Ø 1" [25mm] Mounting Hole

Product Specifications:
Single Hole Single Temperature Deck Mount Faucet, Push Button Metering Cartridge, 0.5 GPM Non-Aerated Spray Device & 1/2" NPSM Male Inlet

Product Compliance:
ASME A112.18.1 / CSA B125.1
NSF 61 - Section 9
NSF 372 (Low Lead Content)
ANSI A117.1 (ADA)



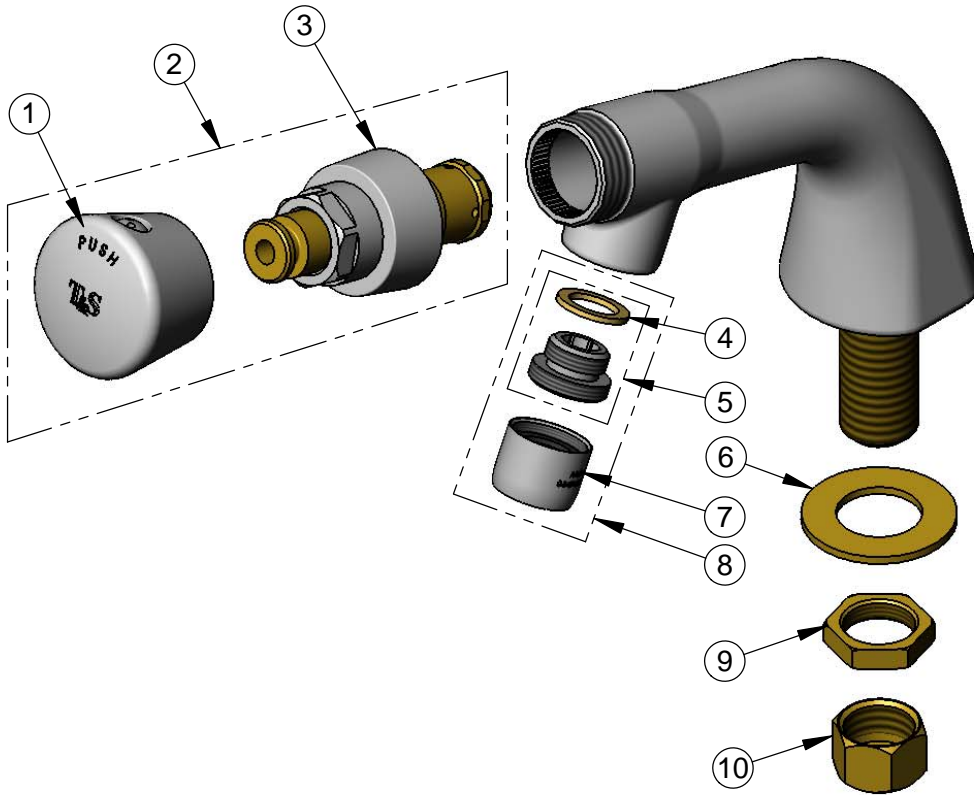
T&S BRASS AND BRONZE WORKS, INC.
 2 Saddleback Cove / P.O. Box 1088
 Travelers Rest, SC 29690

Model No.
B-0805-F05

Item No.

Travelers Rest, SC: 800-476-4103 • Simi Valley, CA: 800-423-0150 • Fax: 864-834-3518 • www.tsbrass.com

ITEM NO.	SALES NO.	DESCRIPTION
1	014193-40	Blank Push Button Cap w/ Spanner Bit
2	238AB	238A Metering Cartridge w/ Blank Push Button Cap
3	238A	Push Button Metering Cartridge
4	001043-45	Washer
5	044A	3/8" to Aerator Adapter
6	000999-45	Brass Lock Washer
7	B-0199-01-N05	0.5 GPM Spray Device, 55/64"-27UN Female
8	B-0199-02-N05	0.5 GPM Spray Device, 3/8" NPSM Male
9	002954-45	Shank Lock Nut
10	000958-20	Coupling Nut



014734-45
 Spanner Bit for
 Vandal Resistant Screw

Product Specifications:
 Single Hole Single Temperature Deck Mount Faucet, Push Button Metering Cartridge, 0.5 GPM Non-Aerated Spray Device & 1/2" NPSM Male Inlet

Product Compliance:
 ASME A112.18.1 / CSA B125.1
 NSF 61 - Section 9
 NSF 372 (Low Lead Content)
 ANSI A117.1 (ADA)