



T&S BRASS AND BRONZE WORKS, INC.
 2 Saddleback Cove / P.O. Box 1088
 Travelers Rest, SC 29690

Model No.
EA-1DF09-LH-F15

Item No.

Travelers Rest, SC: 800-476-4103 • Simi Valley, CA: 800-423-0150 • Fax: 864-834-3518 • www.tsbrass.com

This Space for Architect/Engineer Approval

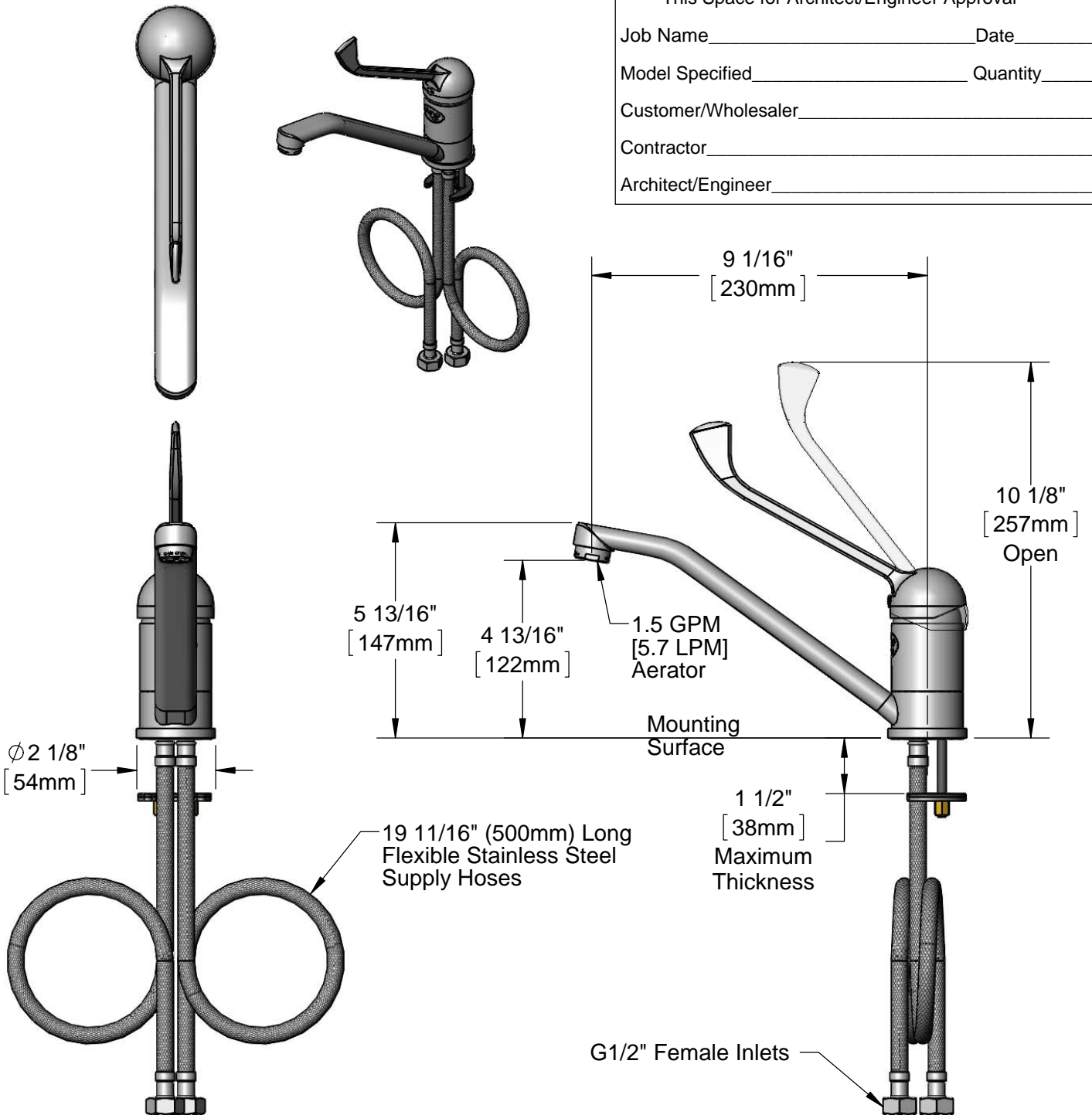
Job Name _____ Date _____

Model Specified _____ Quantity _____

Customer/Wholesaler _____

Contractor _____

Architect/Engineer _____



Rough-In Requirement:
 Ø 1 1/2" [38mm] Hole

Product Specifications:
 Single Lever Faucet w/ 9" Swivel Nozzle, 1.5 GPM Aerator, Extended Lever
 Handle & Flexible Stainless Steel Hoses

Drawn DMH	Checked KJG	Approved JHB
---------------------	-----------------------	------------------------

Scale: 1:4	Date: 07/24/15
----------------------	--------------------------



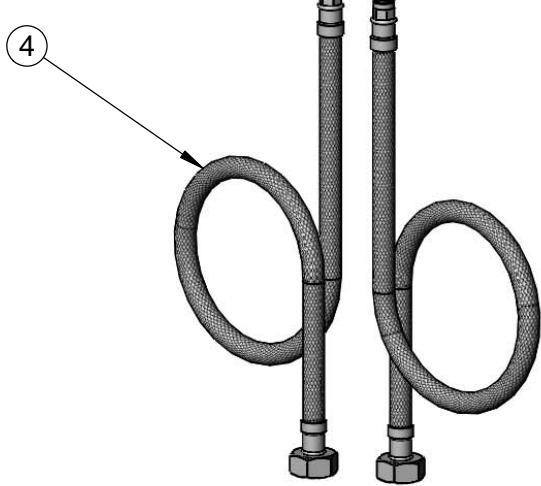
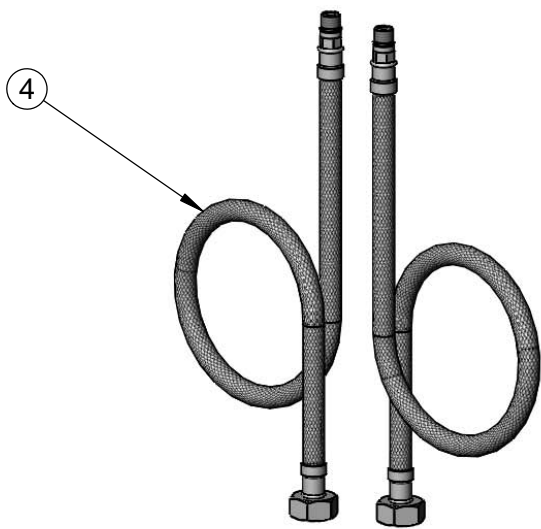
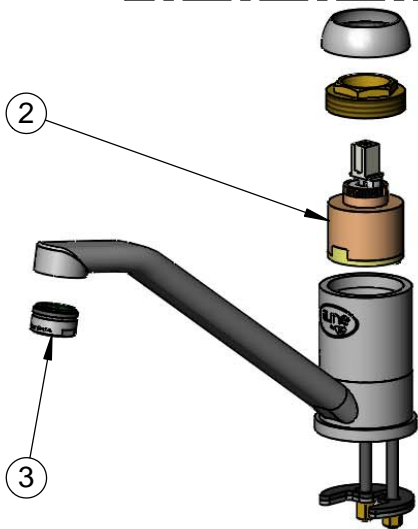
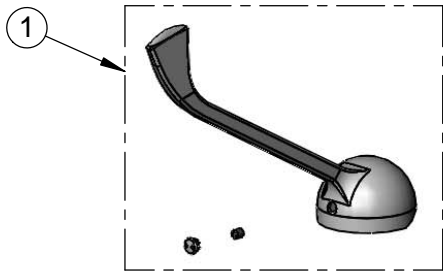
T&S BRASS AND BRONZE WORKS, INC.
 2 Saddleback Cove / P.O. Box 1088
 Travelers Rest, SC 29690

Model No.
EA-1DF09-LH-F15

Item No.

Travelers Rest, SC: 800-476-4103 • Simi Valley, CA: 800-423-0150 • Fax: 864-834-3518 • www.tsbrass.com

ITEM NO.	SALES NO.	DESCRIPTION
1	019243-45	Extended Lever Handle w/ Index & Screw
2	019242-45	40mm S/L Ceramic Cartridge (Short)
3	EU-0199-M24-F15	1.5 GPM Aerator, M24x1
4	018104-45	Flexible Connector Hose (2)



Product Specifications:
 Single Lever Faucet w/ 9" Swivel Nozzle, 1.5 GPM Aerator, Extended Lever Handle & Flexible Stainless Steel Hoses

Drawn DMH	Checked KJG	Approved JHB
Scale: NTS		Date: 07/24/15