



T&S BRASS AND BRONZE WORKS, INC.

2 Saddleback Cove / P.O. Box 1088
Travelers Rest, SC 29690

Model No.

EMPV-2DLN-00

Item No.

Travelers Rest, SC: 800-476-4103 • Simi Valley, CA: 800-423-0150 • Fax: 864-834-3518 • www.tsbrass.com

This Space for Architect/Engineer Approval

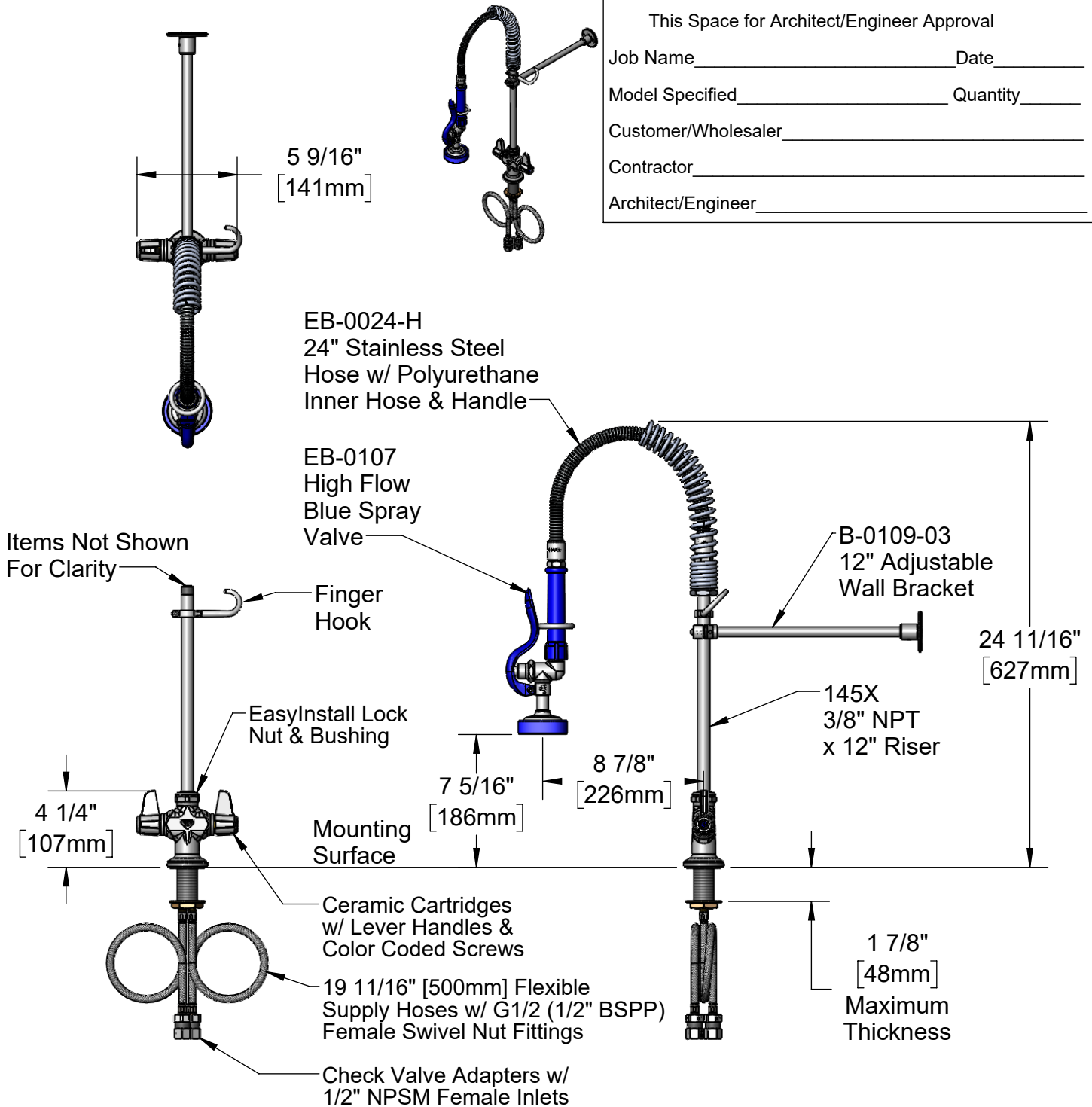
Job Name _____ Date _____

Model Specified _____ Quantity _____

Customer/Wholesaler _____

Contractor _____

Architect/Engineer _____



Rough-In Requirement:
Ø 1 1/2" [38mm] Mounting Hole

Product Specifications:

EasyInstall International Pre-Rinse Unit:
Single Deck Mount Mixing Faucet, Compact Spring & Flexible Stainless Steel
Hose, High Flow Spray Valve, 12" Wall Bracket, Lever Handles, 19 11/16"
[500mm] Flexible Supply Hoses w/ G1/2 Female Nut Fittings & Check Valve
Adapters w/ 1/2" NPSM Female Inlets

Product Compliance:

2019 DOE PRSV Non-Compliant
Product Not Designed/Intended for
Commercial Warewashing in North America



T&S BRASS AND BRONZE WORKS, INC.

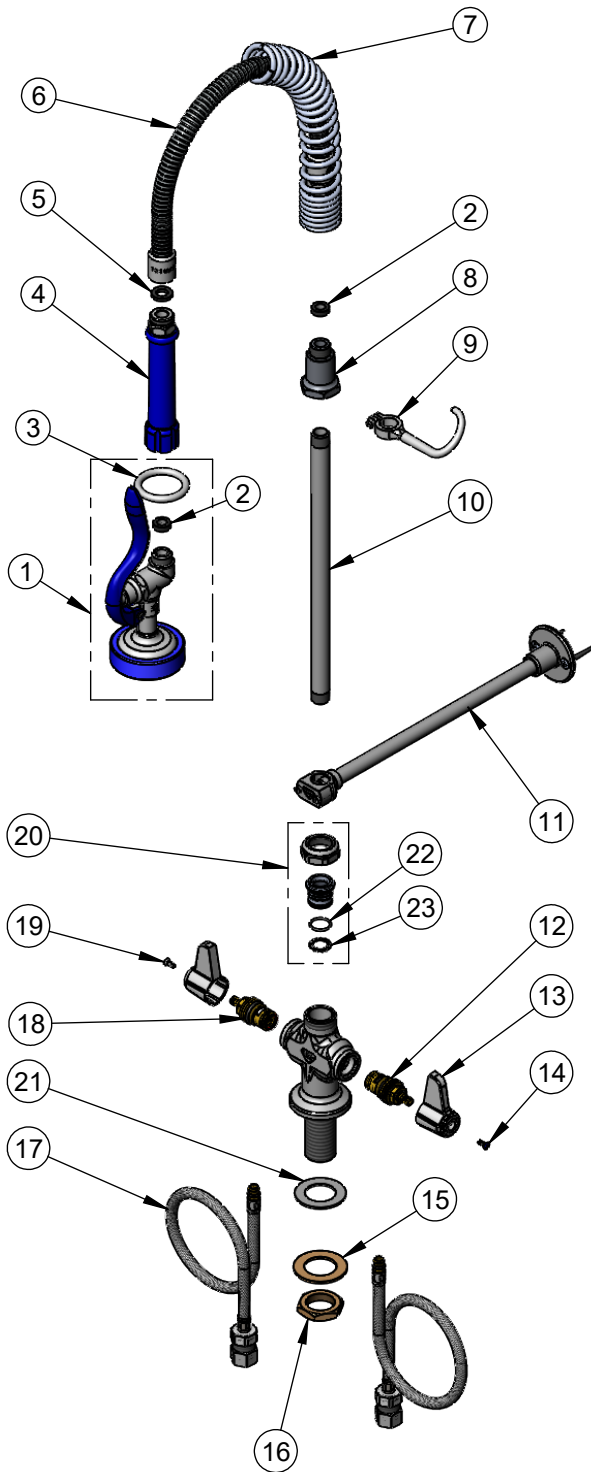
2 Saddleback Cove / P.O. Box 1088
Travelers Rest, SC 29690

Model No.

EMPV-2DLN-00

Item No.

Travelers Rest, SC: 800-476-4103 • Simi Valley, CA: 800-423-0150 • Fax: 864-834-3518 • www.tsbrass.com



ITEM NO.	SALES NO.	DESCRIPTION
1	EB-0107	High Flow Spray Valve
2	010476-45	#27 Washer
3	000907-45	Spray Valve Hold Down Ring
4	011482-40	Blue Grip Handle
5	001014-45	Washer, Hose Barrel
6	B-0024-H2A	Flexible Stainless Steel Hose
7	016795-45	Compact Spring
8	000821-40	Spring Body
9	004R	Finger Hook
10	145X	3/8" NPT x 12" Riser
11	B-0109-03	12" Wall Bracket
12	013788-45	Ceramic Cartridge, LTC
13	E-HDL-L	Euro Lever Handle & Blue/Red Screws
14	014455-45	Blue Lever Handle Screw (10 PK)
15	002290-45	Lock Washer
16	000965-45	Lock Nut
17	016068-25DR	Flexible Connector Hose w/ Check Valve Adapter
18	013787-45	Ceramic Cartridge, RTC
19	014456-45	Red Lever Handle Screw (10 PK)
20	EU-EZ-K	Euro EasyInstall Retro-Fit Kit
21	014612-45	Deck Seal
22	001062-45	O-Ring
23	014200-45	Star Washer, Anti-Rotation

Product Specifications:

EasyInstall International Pre-Rinse Unit:
Single Deck Mount Mixing Faucet, Compact Spring & Flexible Stainless Steel
Hose, High Flow Spray Valve, 12" Wall Bracket, Lever Handles, 19 11/16"
[500mm] Flexible Supply Hoses w/ G1/2 Female Nut Fittings & Check Valve
Adapters w/ 1/2" NPSM Female Inlets

Product Compliance:

2019 DOE PRSV Non-Compliant
Product Not Designed/Intended for
Commercial Warewashing in North America