



T&S BRASS AND BRONZE WORKS, INC.

2 Saddleback Cove / P.O. Box 1088
Travelers Rest, SC 29690

Model No.

S-0113-12-CR-BJ

Item No.

Travelers Rest, SC: 800-476-4103 • Simi Valley, CA: 800-423-0150 • Fax: 864-834-3518 • www.tsbrass.com

7 7/16"
[188mm]

EVERSTEEL™

This Space for Architect/Engineer Approval

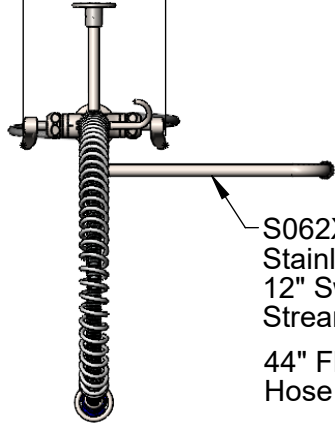
Job Name _____ Date _____

Model Specified _____ Quantity _____

Customer/Wholesaler _____

Contractor _____

Architect/Engineer _____



S062X
Stainless Steel
12" Swing Nozzle w/
Stream Regulator Outlet

44" Flexible Stainless Steel
Hose w/ Spring & Spray Valve

Items Not Shown
For Clarity

Stainless Steel
3/8" NPT x 24" Riser

Stainless
Steel Finger
Hook

S-0107-J
Stainless Steel
1.07 GPM
Spray Valve

S-0109-01
Stainless
Steel
6" Wall
Bracket

46 1/4"
[1175mm]

EasyInstall
Lock Nut &
Bushing

2 5/16"
[58mm]

12"
[305mm]

11 9/16"
[294mm]

14 11/16"
[373mm]

16 7/8"
[429mm]

Mounting
Surface

2 5/16"
[59mm]

7 1/8"
[180mm]

Stainless Steel
EasyInstall
Add-On
Faucet w/
Quarter-Turn
Cerama
Cartridge
& Lever
Handle

Stainless Steel Quarter-Turn
Cerama Cartridges w/
Spring Checks &
Stainless Steel Lever Handles w/
Color Coded Indexes

Ø 2 1/4"
[57mm]
Deck Flange

1 7/8"
[48mm]
Maximum
Thickness

18" Flexible Stainless Steel Supply
Hoses w/ G1/2 Female Swivel Fittings
(Compatible w/ 1/2" NPSM Threads)

14 1/16"
[357mm]

Rough-In Requirement:
Ø 1 1/2" [38mm] Mounting Hole

Product Specifications:

Pre-Rinse Unit: EasyInstall Stainless Steel Single Hole Deck Mount Mixing Faucet, SS Quarter-Turn Cerama Cartridges w/ Check Valves, SS Lever Handles, SS Add-On Faucet, SS 12" Swing Nozzle, 44" Flexible Stainless Steel Hose, SS 1.07 GPM Spray Valve, SS 6" Wall Bracket & Flexible Stainless Steel Supply Hoses

Product Compliance:

ASME A112.18.1 / CSA B125.1
NSF 61 - Section 9
NSF 372 (Low Lead Content)
2019 DOE PRSV - Class II



T&S BRASS AND BRONZE WORKS, INC.

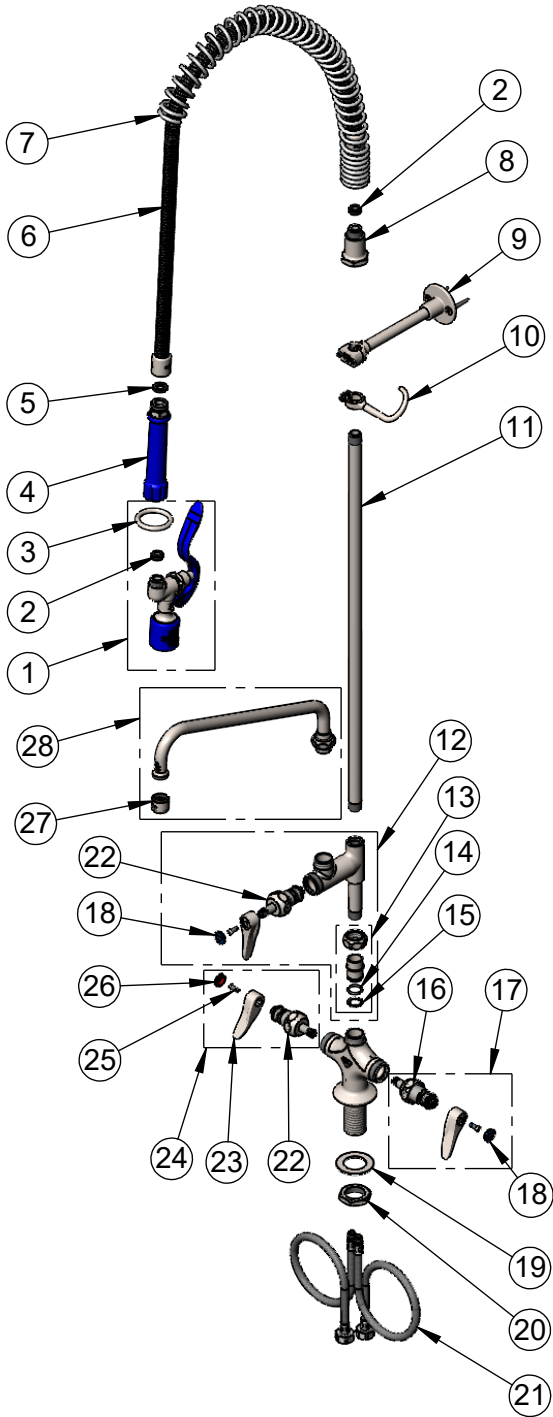
2 Saddleback Cove / P.O. Box 1088
Travelers Rest, SC 29690

Model No.

S-0113-12-CR-BJ

Item No.

Travelers Rest, SC: 800-476-4103 • Simi Valley, CA: 800-423-0150 • Fax: 864-834-3518 • www.tsbrass.com



ITEM NO.	SALES NO.	DESCRIPTION
1	S-0107-J	Stainless Steel 1.07 GPM Spray Valve (Blue)
2	010476-45	#27 Washer
3	S000907-30	SS Spray Valve Hold Down Ring
4	S011482-30	Stainless Steel Grip Handle (Blue)
5	001014-45	Washer, Hose Barrel
6	S-0044-H2A	44" Flexible Stainless Steel Hose, Less Handle
7	S000888-30	SS EasyInstall Overhead Spring
8	S000821-30	Stainless Steel Spring Body
9	S-0109-01	Stainless Steel 6" Wall Bracket
10	S004R	Stainless Steel Finger Hook
11	S000372-30	Stainless Steel 3/8" NPT x 24" Riser
12	S-0155-CR-LNEZ	Stainless Steel EasyInstall Add-On Faucet w/ Cerama Cartridge & Lever Handle (Less Nozzle)
13	SEZ-K	Stainless Steel EasyInstall Kit: Nut, Bushing, O-ring & Lock Washer
14	001065-45	O-Ring
15	014200-45	Star Washer, Anti-Rotation
16	S012395-30NS	Stainless Steel Cerama Cartridge w/ Check Valve, LTC (Cold)
17	S012447-30NS	Stainless Steel Quarter-Turn Cerama Cartridge w/ Spring Check, Handle, Blue Index & Screw, LTC
18	018506-19NS	Blue Button Index, Press-in
19	S007365-20	Stainless Steel Lock Washer
20	S000965-20	Stainless Steel Lock Nut
21	012436-45DR	Flexible Connector Hose
22	S012394-30NS	Stainless Steel Cerama Cartridge w/ Check Valve, RTC (Hot)
23	S001638-30NS	Lever Handle (New Style)
24	S012446-30NS	Stainless Steel Quarter-Turn Cerama Cartridge w/ Spring Check, Handle, Red Index & Screw, RTC
25	000925-45	Lab Handle Screw
26	001193-19NS	Red Button Index, Press-in
27	S-PT	SS Full Flow Stream Regulator, 55/64-27
28	S062X	Stainless Steel 12" Swing Nozzle

Product Specifications:

Pre-Rinse Unit: EasyInstall Stainless Steel Single Hole Deck Mount Mixing Faucet, SS Quarter-Turn Cerama Cartridges w/ Check Valves, SS Lever Handles, SS Add-On Faucet, SS 12" Swing Nozzle, 44" Flexible Stainless Steel Hose, SS 1.07 GPM Spray Valve, SS 6" Wall Bracket & Flexible Stainless Steel Supply Hoses

Product Compliance:

ASME A112.18.1 / CSA B125.1
NSF 61 - Section 9
NSF 372 (Low Lead Content)
2019 DOE PRSV - Class II