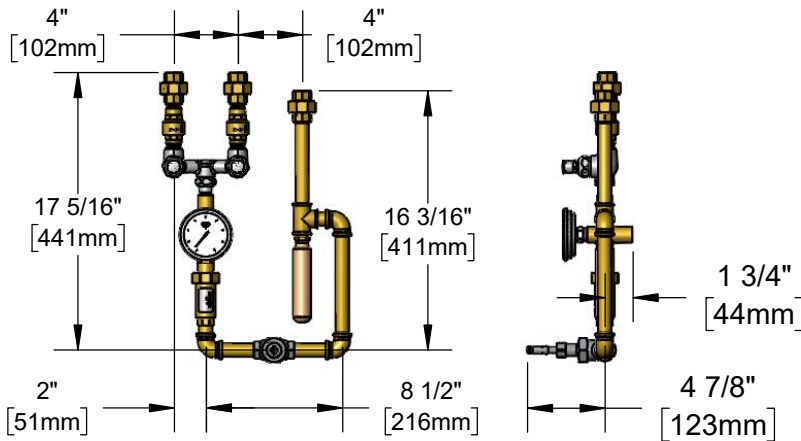




Architect/Engineering Specifications:

Valve piping assembly with shut-off control valve, loose key mixing faucet, compression cartridges with spring checks, 1/2" union inlets and outlet, 1/2" check valves, bi-metallic thermometer, dual check valve backflow preventer and water hammer arrestor. Certified to ASSE 1024 and ASSE 1010.

Job Name _____
 Model Specified _____ Quantity _____
 Variations Specified _____
 Date _____



Features & Benefits:

- Valve piping assembly with control valve
- Mixing faucet with quarter-turn Eterna compression cartridges with spring checks
- Dual check valves
- 1/2" union inlets and outlet
- Bi-metallic thermometer
- Water hammer arrestor
- Material: Brass & chrome plated brass

Product Compliance:

- NSF 61 Exempt (Non-Potable)
- ASSE 1024 (VB)
- ASSE 1010 (Arrestor)



Warranty: One Year (Limited)

Performance Data:

- Pressure: 20 - 125 psi [1.38 - 8.62 bar]
- Temperature: 40 °F - 140 °F [4.44 °C - 60 °C]
- Flow Rate: 12.90 GPM [48.89 l/min] @ 60 psi [4.14 bar]

