



Architect/Engineering Specifications:

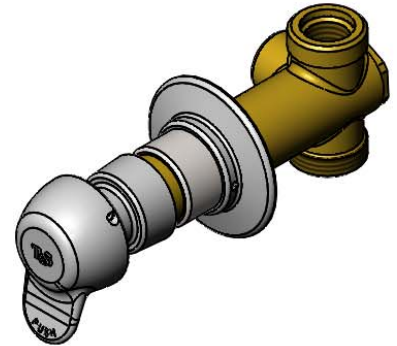
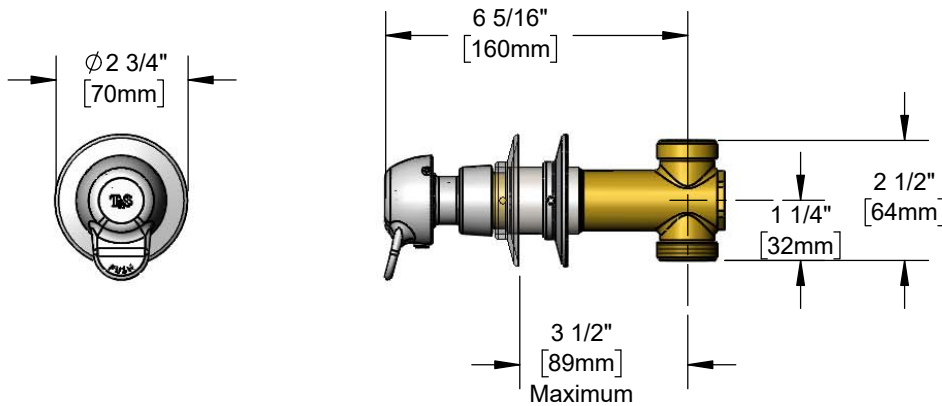
Concealed straight single valve with brass body, polished chrome plated brass adjustable wall flange and sleeve, 1/2" NPT female outlet, pivot action metering cartridge, blank pivot action handle and 1/2" NPT female inlet. Certified to ASME A112.18.1/CSA B125.1, NSF 61-Section 9, and NSF 372. Meets ADA ANSI/ICC A117.1 requirements

Job Name _____

Model Specified _____ Quantity _____

Variations Specified _____

Date _____



Features & Benefits:

- Concealed straight single valve with brass body
- Ø 2 3/16" polished chrome plated brass adjustable wall flange and sleeve
- 1/2" NPT female outlet
- Metering cartridge
- Adjustable metering cycle, 10 to 30 seconds
- Blank pivot action handle with vandal resistant screw
- 1/2" NPT female inlet with external thread for optional union coupling connection
- Material: Brass valve body, polished chrome plated brass adjustable wall flange & sleeve, and chrome plated metal handle

Optional Cartridges

- Quarter Turn Cerama
- Eterna
- Quarter Turn Eterna
- Push Button Metering
- Pivot Action Metering (Standard)
- Wrist Action Metering

Product Compliance:

- ASME A112.18.1 / CSA B125.1
- NSF 61 - Section 9
- NSF 372 (Low Lead Content)
- ANSI A117.1 (ADA)

Warranty: One Year (Limited)

Performance Data:

- Pressure: 20 - 125 psi [1.38 - 8.62 bar]
- Temperature: 40 °F - 140 °F [4.44 °C - 60 °C]
- Flow Rate: 2.90 GPM [11 L/min] @ 60 psi [4.14 bar]
- Water Consumption: @10 sec = .48 gal [1.82 L/min]
@15 sec = .73 gal [2.76 L/min]



ADA Compliant

