



T&S BRASS AND BRONZE WORKS, INC.

2 Saddleback Cove / P.O. Box 1088
Travelers Rest, SC 29690

Model No.

EU-2DF00

Item No.

Travelers Rest, SC: 800-476-4103 • Simi Valley, CA: 800-423-0150 • Fax: 864-834-3518 • www.tsbrass.com

This Space for Architect/Engineer Approval

Job Name _____ Date _____

Model Specified _____ Quantity _____

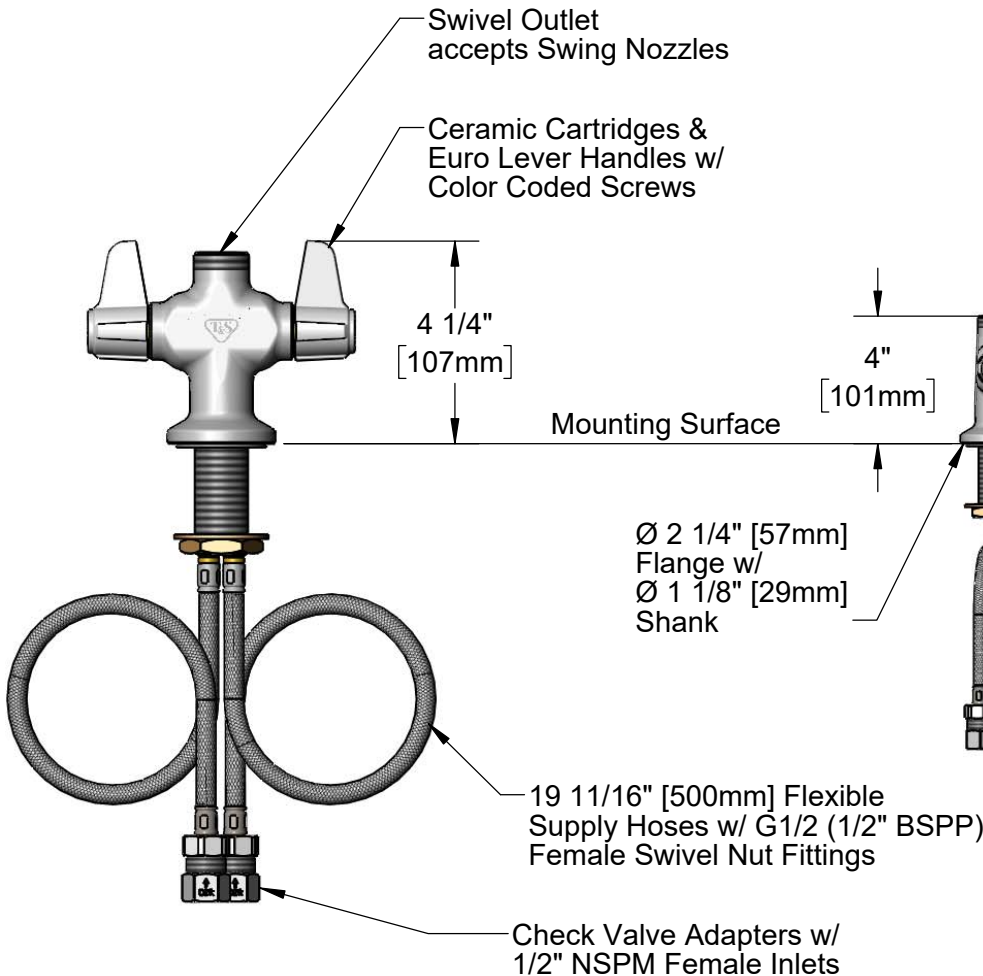
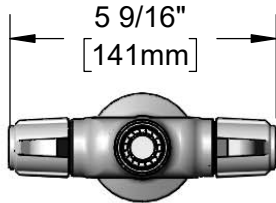
Customer/Wholesaler _____

Contractor _____

Architect/Engineer _____



ADA Compliant



Rough-In Requirement:
Ø 1 1/2" [38mm] Mounting Hole

Product Specifications:
Single Hole Deck Mount Mixing Faucet, Ceramic Cartridges, Euro Lever Handles, 19 11/16" Flexible Supply Hoses w/ G 1/2 Female Nut Fittings, Check Valve Adapters w/ 1/2" NPSM Female Inlets & Less Nozzle

Product Compliance:
ASME A112.18.1 / CSA B125.1
NSF 61 - Section 9
NSF 372 (Low Lead Content)
ANSI A117.1 (ADA)



T&S BRASS AND BRONZE WORKS, INC.

2 Saddleback Cove / P.O. Box 1088
Travelers Rest, SC 29690

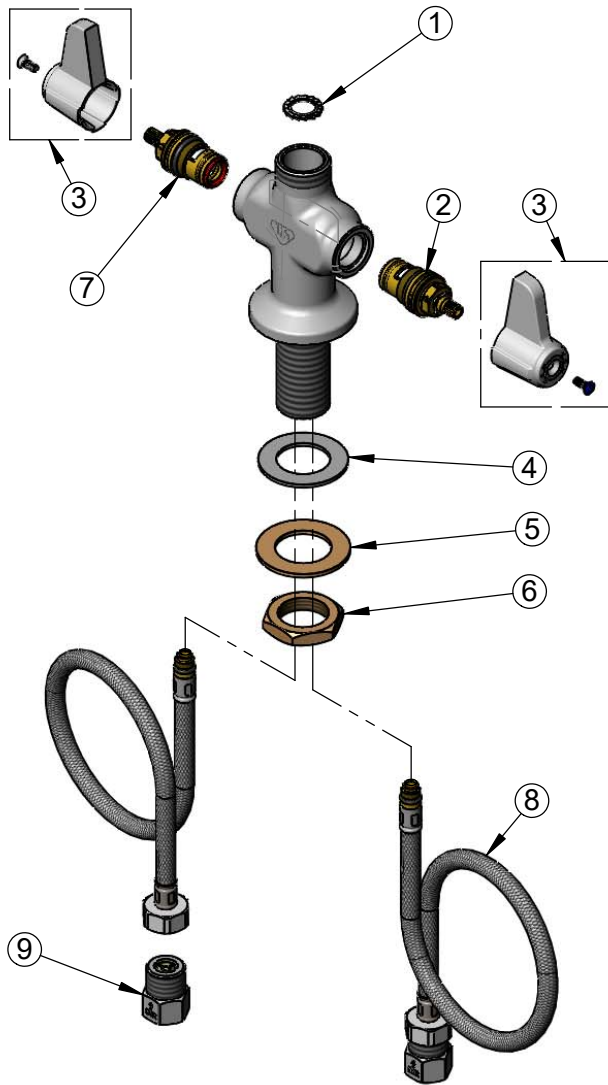
Model No.

EU-2DF00

Item No.

Travelers Rest, SC: 800-476-4103 • Simi Valley, CA: 800-423-0150 • Fax: 864-834-3518 • www.tsbrass.com

ITEM NO.	SALES NO.	DESCRIPTION
1	014200-45	Star Washer, Anti-Rotation
2	013788-45	equip Quarter-Turn Ceramic Cartridge, LTC
3	E-HDL-L	Euro Lever Handle w/ Color Coded Screws
4	014612-45	Deck Seal
5	002290-45	Lock Washer
6	000965-45	Lock Nut
7	013787-45	equip Quarter-Turn Ceramic Cartridge, RTC
8	012436-45DR	Flexible Connector Hose
9	020975-25	Check Valve Adapter



Product Specifications:

Single Hole Deck Mount Mixing Faucet, Ceramic Cartridges, Euro Lever Handles, 19 11/16" Flexible Supply Hoses w/ G1/2 Female Nut Fittings, Check Valve Adapters w/ 1/2" NPSM Female Inlets & Less Nozzle

Product Compliance:

ASME A112.18.1 / CSA B125.1
NSF 61 - Section 9
NSF 372 (Low Lead Content)
ANSI A117.1 (ADA)