



# Single Lever Faucets

## B-2742

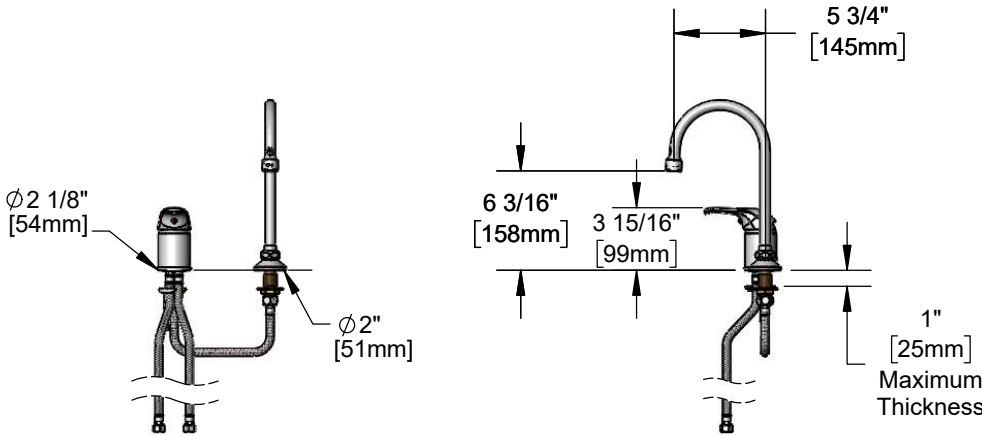
TAG:

### Side Mount Faucet

#### Architect/Engineering Specifications:

Deck mount single lever remote on/off control base faucet with polished chrome plated brass body, polished chrome plated brass deck mount swivel/rigid gooseneck, 2.2 GPM vandal resistant aerator, ceramic cartridge with adjustable temperature limit stop, single lever handle and 16" flexible stainless steel supply hoses with 3/8" O.D. compression connections. Certified to ASME A112.18.1/CSA B125.1, NSF 61-Section 9 and NSF 372. Meets ADA ANSI/ICC A117.1 requirements.

Job Name \_\_\_\_\_  
 Model Specified \_\_\_\_\_ Quantity \_\_\_\_\_  
 Variations Specified \_\_\_\_\_  
 Date \_\_\_\_\_



#### Features & Benefits:

- Deck mounted single lever remote on/off control base faucet with polished chrome plated brass body
- Polished chrome plated brass deck mount swivel/rigid gooseneck
- Lock washer provided for rigid application
- 2.2 GPM vandal resistant aerator, Series 6 (B-0199-06)
- Ceramic cartridge w/ adjustable temperature limit stop
- Single lever handle w/ color coded index
- 16" flexible stainless steel supply hoses with 3/8" O.D. compression connections
- Material: Polished chrome plated brass body, gooseneck & handle and stainless steel supply hoses

#### Product Compliance:

- ASME A112.18.1 / CSA B125.1
- NSF 61 - Section 9
- NSF 372 (Low Lead Content)
- ANSI A117.1 (ADA)



#### Warranty: One Year (Limited)

- Ceramic Cartridge: Two Year (Limited)

#### Performance Data:

- Pressure: 20 - 125 psi [1.38 - 8.62 bar]
- Temperature: 40°F - 140°F [4.44°C - 60°C]
- Flow Rate: 2.2 GPM [8.33 L/min] @ 60 psi [4.14 bar]



ADA Compliant

#### Optional Outlets (Series 1 / VR Series 6)

GPM	Aerated	Non-Aerated (Laminar)	VR Aerated	VR Non-Aerated (VR Laminar)
0.35	N/A	<input type="checkbox"/> B-0199-01-N035	N/A	<input type="checkbox"/> B-0199-06-N035
0.5	N/A	<input type="checkbox"/> B-0199-01-N05	<input type="checkbox"/> B-0199-06-F05	<input type="checkbox"/> B-0199-06-N05
1.0	<input type="checkbox"/> B-0199-01-F10	N/A	<input type="checkbox"/> B-0199-06-F10	N/A
1.2	<input type="checkbox"/> B-0199-01-F12	<input type="checkbox"/> B-0199-01-LF12	<input type="checkbox"/> B-0199-06-F12	<input type="checkbox"/> B-0199-06-LF12
1.5	<input type="checkbox"/> B-0199-01-WS	<input type="checkbox"/> B-0199-29	<input type="checkbox"/> B-0199-06-WS	<input type="checkbox"/> B-0199-29VR
2.2	<input type="checkbox"/> B-0199-01	<input type="checkbox"/> B-0199-21	Standard	<input type="checkbox"/> B-0199-21-VRF

#### Optional Handles

- 6" Long Handle



T&S BRASS AND BRONZE WORKS, INC.



• 2 Saddleback Cove • Travelers Rest, SC 29690  
 Ph 800-476-4103 • Fax 864-834-3518  
 • Simi Valley, CA • Ph 800-423-0150 • www.tsbrass.com

Date: 03/03/20