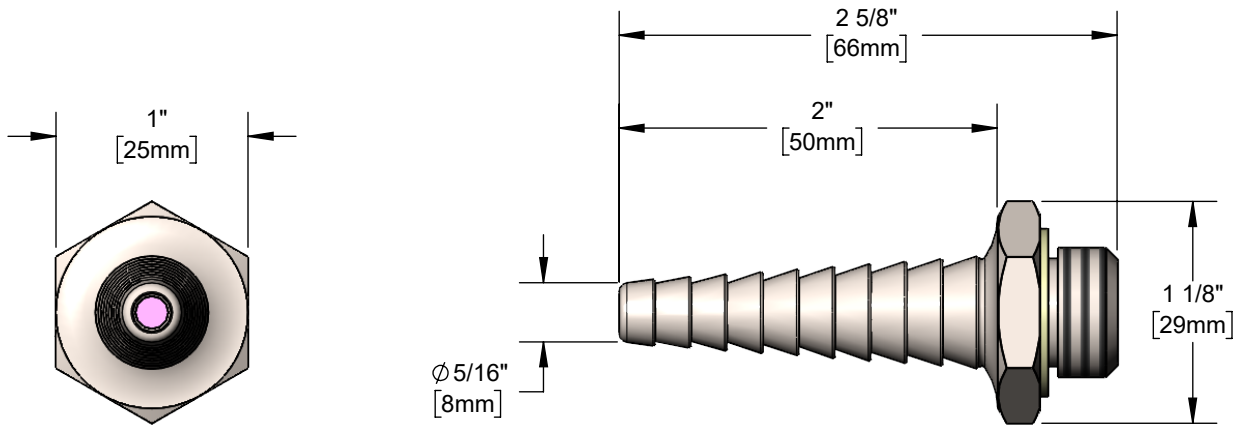
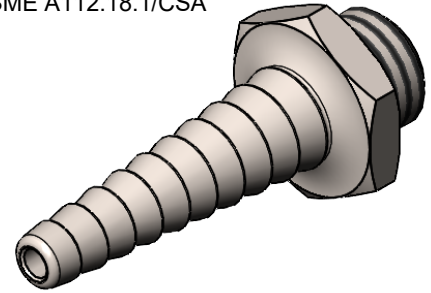




Architect/Engineering Specifications:

Serrated tip outlet with stainless steel body, 1.2 GPM flow device and 3/8" NPT male inlet. Certified to ASME A112.18.1/CSA B125.1, NSF 61-Section 9 and NSF 372.

Job Name _____
Model Specified _____ Quantity _____
Variations Specified _____
Date _____



Features & Benefits:

- Serrated tip outlet with stainless steel body
- 3/8" NPT male inlet
- 1.2 GPM flow device (pink)
- Serrated hose end accepts rubber or plastic tubing up to 1/2" I.D.
- Material: Brushed stainless steel body

Product Compliance:

- ASME A112.18.1 / CSA B125.1
- NSF 61 - Section 9
- NSF 372 (Low Lead Content)

Warranty: One Year (Limited)

Performance Data:

- Pressure: 20 - 125 PSI [1.38 - 8.62 bar]
- Temperature: 40°F - 140°F [4.44°C - 60°C]
- Flow Rate: 1.2 GPM [4.54 L/min] @ 60 PSI [4.14 bar]

