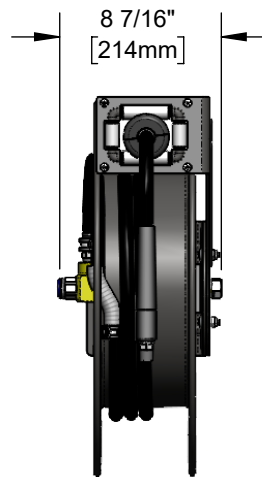
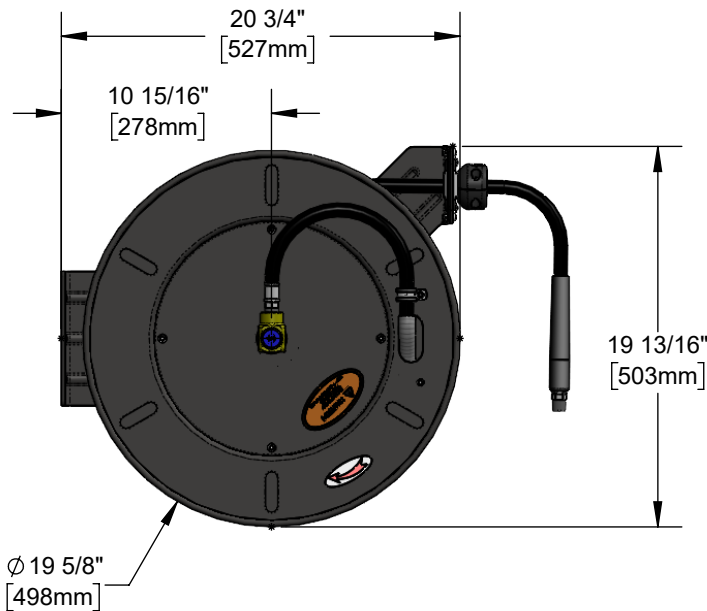
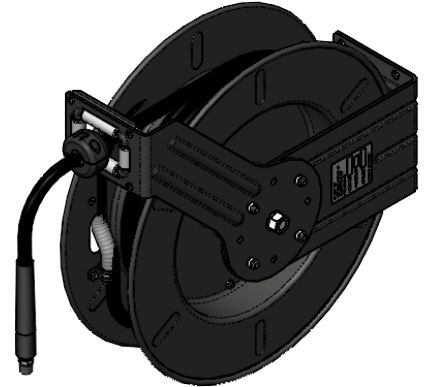


**Architect/Engineering Specifications:**

Open epoxy coated steel hose reel, 1/2" x 50' hose, ratcheting system, multi-fit bracket, adjustable hose bumper, 3' connector hose and 1/2" NPT female inlet.

Job Name \_\_\_\_\_  
 Model Specified \_\_\_\_\_ Quantity \_\_\_\_\_  
 Variations Specified \_\_\_\_\_  
 Date \_\_\_\_\_



**Features & Benefits:**

- Open epoxy coated hose reel
- 1/2" x 50' hose
- Ratcheting system holds the length of hose until a slight tug to retract automatically
- 1/2" NPT female inlet
- Adjustable hose bumper
- Multi-fit bracket for wall, ceiling or under counter mounting
- 3' connector hose included
- Material: Epoxy coated steel open reel and wall bracket, polished chrome plated spray valve

**Product Compliance:**

- NSF 61 Exempt (Non-Potable)

**Warranty:** One Year (Limited)

- Hose: One Year (Limited)

**Performance Data:**

- Pressure: 20 - 125 psi [1.38-8.62 bar]
- Temperature: 40°F - 140°F [4.44°C - 60°C]
- Flow Rate: 8.93 GPM [14.0 l/min] @ 60 psi [4.14 bar]

(Outlet Device &/or Final Configuration May Reduce Performance Ratings)