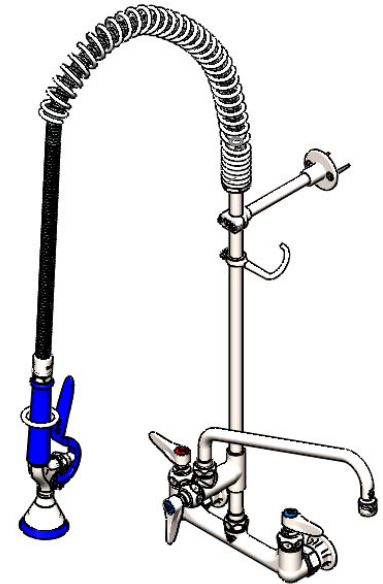
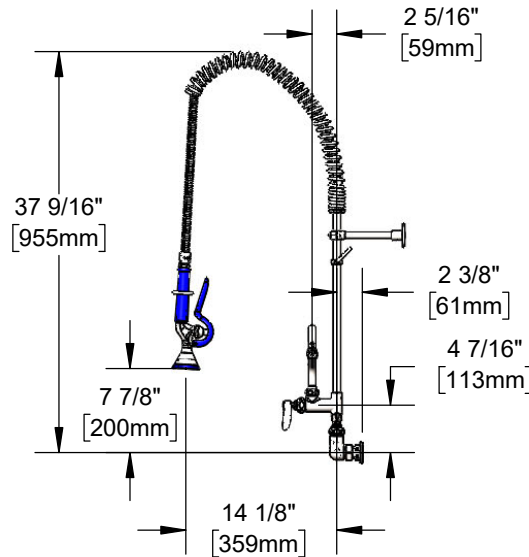
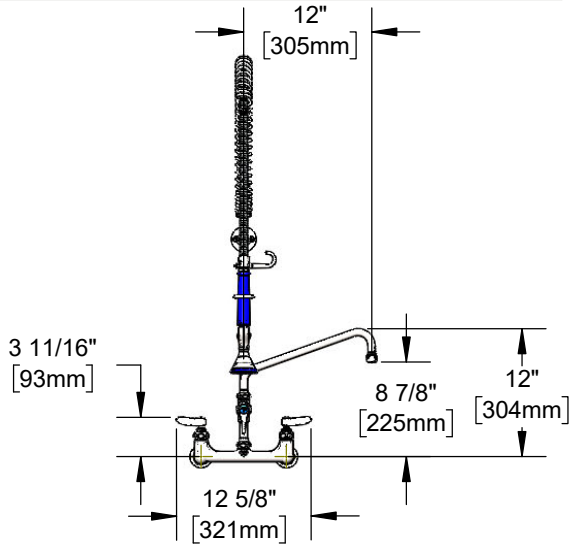




Architect/Engineering Specifications:

8" wall mount mixing faucet with stainless steel body, stainless steel add-on faucet, stainless steel 12" swing nozzle with stream regulator outlet, stainless steel 18" riser, 44" flexible stainless steel hose with heat resistant handle, stainless steel 1.15 GPM blue spray valve, stainless steel compression cartridges with spring checks, stainless steel lever handles, stainless steel 1/2" NPT female inlets, stainless steel 6" adjustable wall bracket, stainless steel spray valve holder and stainless steel overhead spring. Certified to ASME A112.18.1/CSA B125.1, NSF 61-Section 9 & NSF 372. 2019 DOE PRSV - Class II compliant.

Job Name _____
 Model Specified _____ Quantity _____
 Variations Specified _____
 Date _____



Features & Benefits:

- All stainless steel construction with brushed finish
- 8" wall mount mixing faucet w/ stainless steel body
- Stainless steel EasyInstall add-on faucet
- Stainless steel 12" swing nozzle w/ stream regulator outlet, Series 1
- Stainless steel 18" rigid riser
- 44" flexible stainless steel hose with heat resistant blue handle and hold down ring
- Stainless steel 1.15 GPM new style blue spray valve
- Stainless steel quarter-turn Eterna compression cartridges with spring checks to prevent cross flow of water
- Stainless steel lever handles w/ color coded indexes
- Stainless steel 1/2" NPT female eccentric inlets with Ø 2" flanges
- Adjustable centers from 7 3/4" to 8 1/4"
- Stainless steel 6" adjustable wall bracket
- Material: Stainless steel body, tubular spout, add-on faucet body, riser, spray valve body, hose, cartridges and handles

Product Compliance:

- ASME A112.18.1 / CSA B125.1
- NSF 61 - Section 9
- NSF 372 (Low Lead Content)
- 2019 DOE PRSV - Class II



Warranty: Lifetime (Limited)

Performance Data:

- Pressure: 20 - 125 psi [1.38-8.62 bar]
- Temperature: 40 °F - 140 °F [4.44 °C - 60 °C]
- Flow Rate:
 - Spray Valve: 1.15 GPM [4.35 L/min] @ 60 psi [4.14 bar]
 - Add-On Faucet: 9.73 GPM [36.83 L/min] @ 60 psi [4.14 bar]

Stainless Steel T&S Swing Nozzles

- S059X 6" Swing Nozzle
- S060X 8" Swing Nozzle
- S062X 12" Swing Nozzle (Standard)

