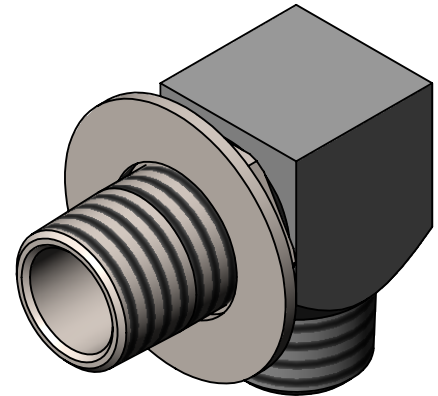
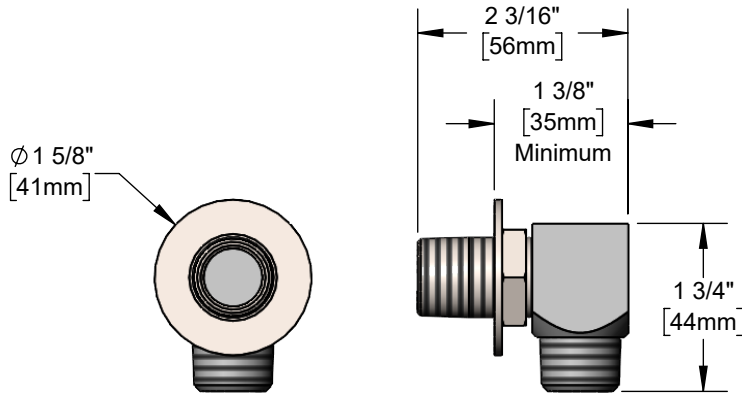




Architect/Engineering Specifications:

Stainless steel elbow kit. Short stainless steel elbow, stainless steel nipple, stainless steel lock nut and stainless steel washer that provides 1/2" NPT male inlet and outlet when assembled. Certified to ASME A112.18.1/CSA B125.1, NSF 61-Section 9 and NSF 372.

Job Name _____
 Model Specified _____ Quantity _____
 Variations Specified _____
 Date _____



Features & Benefits:

- Stainless steel elbow kit
- Short stainless steel elbow with 1/2" NPT male inlet and 1/2" NPT female outlet
- 1/2" NPT stainless steel supply nipple with lock nut and washer
- Material: Stainless steel

Product Compliance:

- ASME A112.18.1 / CSA B125.1
- NSF 61 - Section 9
- NSF 372 (Low Lead Content)



Warranty: One Year (Limited)

Performance Data:

- N/A

