



T&S BRASS AND BRONZE WORKS, INC.

2 Saddleback Cove / P.O. Box 1088
Travelers Rest, SC 29690

Model No.

B-0719

Item No.

Travelers Rest, SC: 800-476-4103 • Simi Valley, CA: 800-423-0150 • Fax: 864-834-3518 • www.tsbrass.com



ADA Compliant

This Space for Architect/Engineer Approval

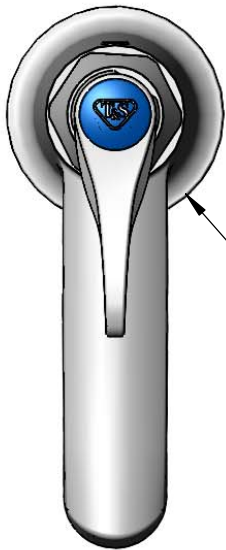
Job Name _____ Date _____

Model Specified _____ Quantity _____

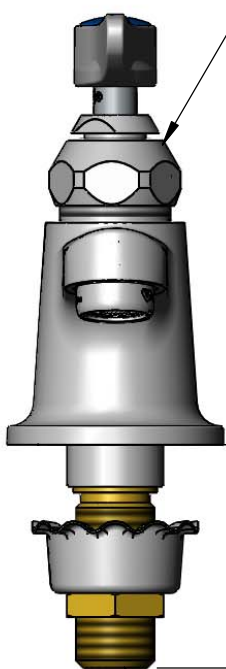
Customer/Wholesaler _____

Contractor _____

Architect/Engineer _____



Ø 2 3/16"
[56mm]
Base



Quarter-Turn
Eterna Cartridge w/
Spring Check &
Lever Handle w/ Blue
(CW) Index

B-0199-03
2.2 GPM Aerator

1 5/16"
[34mm]

Mounting
Surface

2 5/16"
[59mm]

1/2" NPSM
Male Inlet

150A
Optional Tailpiece & Nut
For 1/4" NPT Connection
(Included)

4 1/16"
[103mm]

4 1/2"
[114mm]

13/16"
[20mm]
Maximum
Thickness

Rough-In Requirement:
Ø 1 1/8" [29mm] Mounting Hole

Product Specifications:

Single Hole Single Temperature Deck Mount Basin Faucet,
Quarter-Turn Eterna Cartridge w/ Spring Check, Lever Handle
2.2 GPM Aerator & 1/2" NPSM Male Inlet

Product Compliance:

ASME A112.18.1 / CSA B125.1
NSF 61 - Section 9
NSF 372 (Low Lead Content)
ANSI A117.1 (ADA)



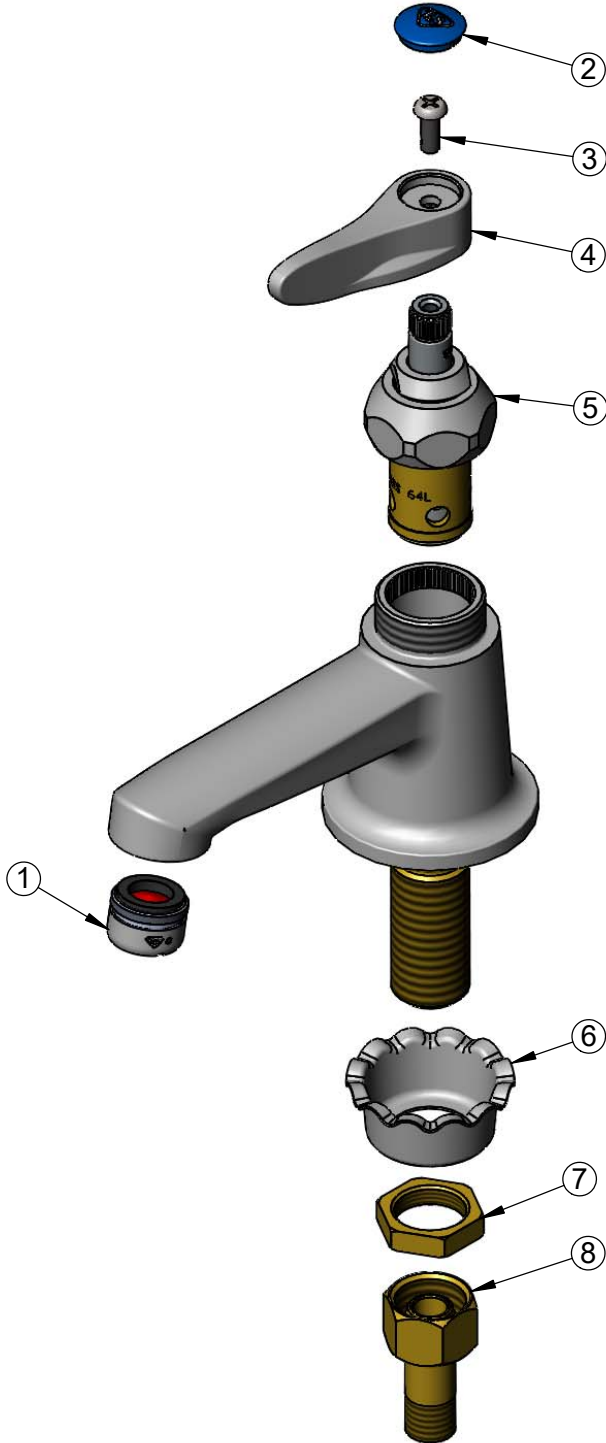
T&S BRASS AND BRONZE WORKS, INC.
 2 Saddleback Cove / P.O. Box 1088
 Travelers Rest, SC 29690

Model No.
B-0719

Item No.

Travelers Rest, SC: 800-476-4103 • Simi Valley, CA: 800-423-0150 • Fax: 864-834-3518 • www.tsbrass.com

ITEM NO.	SALES NO.	DESCRIPTION
1	B-0199-03	2.2 GPM Aerator
2	018506-19NS	Blue Button Index, Press-in
3	000925-45	Lab Handle Screw
4	001638-45NS	Lever Handle (New Style)
5	012443-40NS	Quarter-Turn Eterna Cartridge w/ Spring Check, RTC
6	001000-45	Rosette Washer
7	002954-45	Shank Lock Nut
8	150A	1/4" NPT Tailpiece & Nut



Product Specifications:
 Single Hole Single Temperature Deck Mount Basin Faucet,
 Quarter-Turn Eterna Cartridge w/ Spring Check, Lever Handle
 2.2 GPM Aerator & 1/2" NPSM Male Inlet

Product Compliance:
 ASME A112.18.1 / CSA B125.1
 NSF 61 - Section 9
 NSF 372 (Low Lead Content)
 ANSI A117.1 (ADA)