



# T&S BRASS AND BRONZE WORKS, INC.

2 Saddleback Cove / P.O. Box 1088  
Travelers Rest, SC 29690

Model No.  
**B-0892-133XCRWS**

Item No.

Travelers Rest, SC: 800-476-4103 • Simi Valley, CA: 800-423-0150 • Fax: 864-834-3518 • www.tsbrass.com



ADA Compliant



This Space for Architect/Engineer Approval

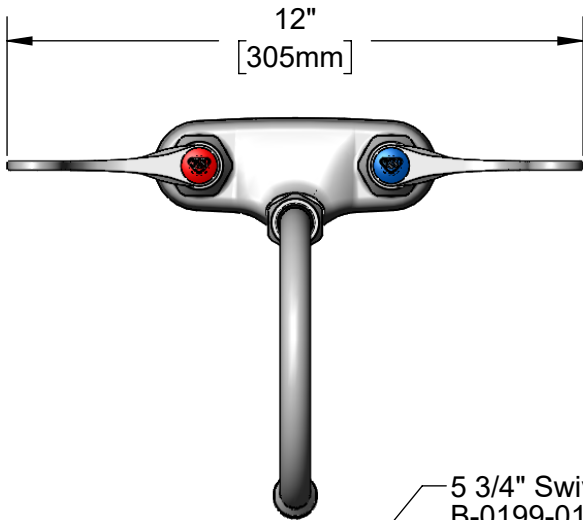
Job Name \_\_\_\_\_ Date \_\_\_\_\_

Model Specified \_\_\_\_\_ Quantity \_\_\_\_\_

Customer/Wholesaler \_\_\_\_\_

Contractor \_\_\_\_\_

Architect/Engineer \_\_\_\_\_

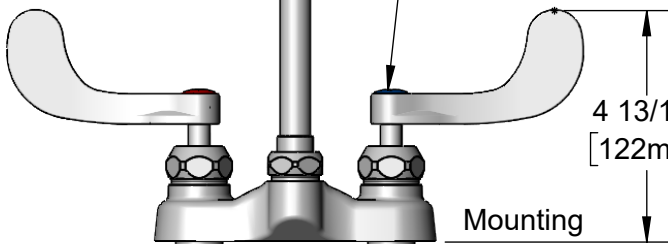


12"

[305mm]

5 3/4" Swivel Goosneck w/  
B-0199-01-WS  
1.5 GPM Aerator.  
Converts to Rigid w/  
014200-45 Lock Washer  
(Included)

Quarter-Turn Cerama  
Cartridges w/ Check  
Valves & 4" Wrist Action  
Handles w/ Color Coded  
Indexes



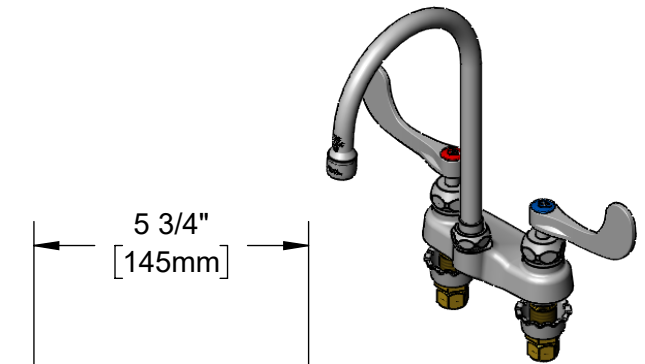
4 13/16"  
[122mm]

Mounting  
Surface

6 13/16"  
[173mm]

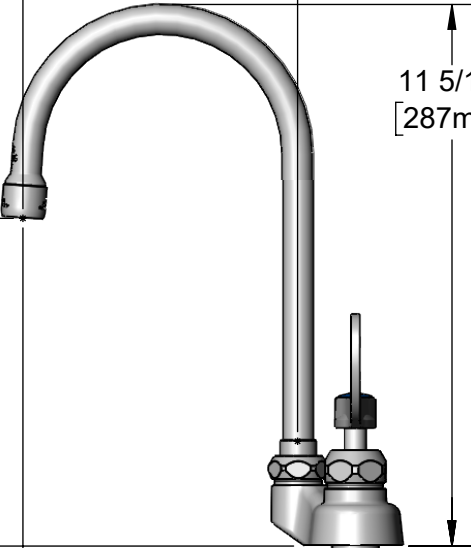
4"  
[102mm]

1/2" NPSM Male  
Inlets w/ Coupling  
Nuts



5 3/4"  
[145mm]

11 5/16"  
[287mm]



6 15/16"  
[176mm]

13/16"  
[21mm]  
Maximum  
Thickness

Rough-In Requirement:  
(2)  $\phi$  1 1/8" [29mm] Mounting Holes

Product Specifications:  
4" Centerset Deck Mount Mixing Faucet, Quarter-Turn Cerama Cartridges w/  
Check Valves, 4" Wrist Action Handles, 5 3/4" Swivel Goosneck, 1.5 GPM  
Aerator & 1/2" NPSM Male Inlets

Product Compliance:  
ASME A112.18.1 / CSA B125.1  
NSF 61 - Section 9  
NSF 372 (Low Lead Content)  
ANSI A117.1 (ADA)  
EPA WaterSense



# T&S BRASS AND BRONZE WORKS, INC.

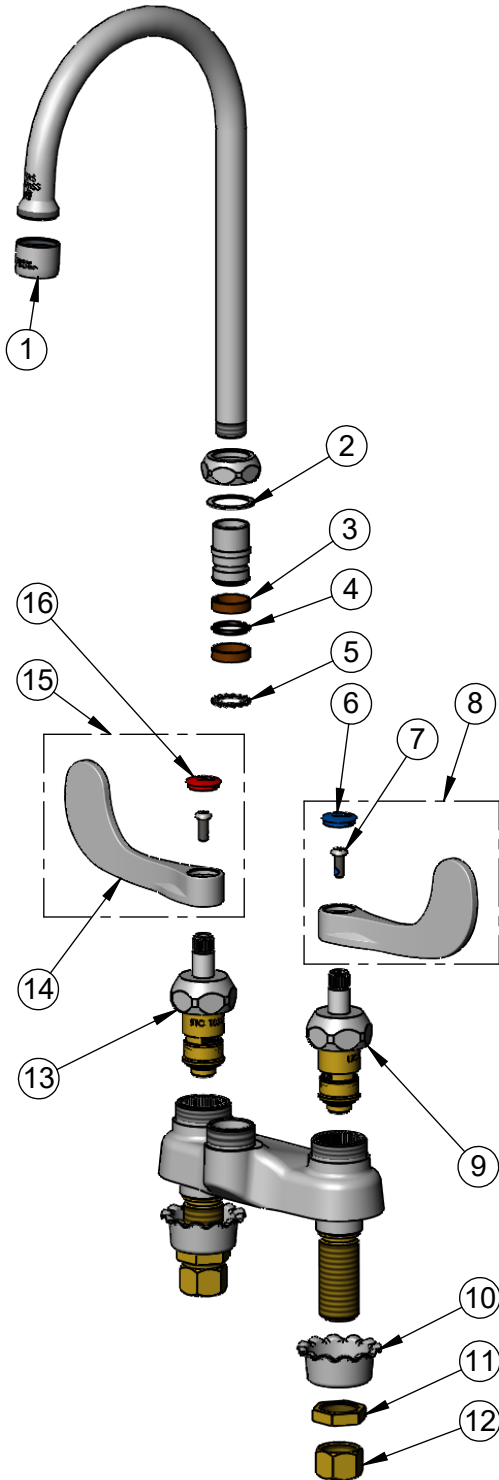
2 Saddleback Cove / P.O. Box 1088  
Travelers Rest, SC 29690

Model No.

**B-0892-133XCRWS**

Item No.

Travelers Rest, SC: 800-476-4103 • Simi Valley, CA: 800-423-0150 • Fax: 864-834-3518 • www.tsbrass.com



ITEM NO.	SALES NO.	DESCRIPTION
1	B-0199-01-WS	1.5 GPM Aerator, 55/64-27 Female
2	009538-45	Swivel Washer
3	011429-45	Swivel Sleeves (2)
4	001074-45	O-Ring
5	014200-45	Star Washer, Anti-Rotation
6	018506-19NS	Blue Button Index, Press-in
7	000925-45	Lab Handle Screw
8	B-WH4C-NS	Wrist Action Handle, Blue Index & Screw
9	012395-25NS	Quarter-Turn Cerama Cartridge w/ Check Valve, LTC
10	001000-45	Rosette Washer
11	002954-45	Shank Lock Nut
12	000958-20	Coupling Nut
13	012394-25NS	Quarter-Turn Cerama Cartridge w/ Check Valve, RTC
14	B-WH4-NS	Wrist Action Handle - New Style
15	B-WH4H-NS	Wrist Action Handle, Red Index & Screw
16	001193-19NS	Red Button Index, Press-in

**Product Specifications:**

4" Centerset Deck Mount Mixing Faucet, Quarter-Turn Cerama Cartridges w/ Check Valves, 4" Wrist Action Handles, 5 3/4" Swivel Gooseneck, 1.5 GPM Aerator & 1/2" NPSM Male Inlets

**Product Compliance:**

ASME A112.18.1 / CSA B125.1  
NSF 61 - Section 9  
NSF 372 (Low Lead Content)  
ANSI A117.1 (ADA)  
EPA WaterSense