



Limited One Year Warranty

T&S warrants to the original purchaser (other than for purposes of resale) that such product is free from defects in material and workmanship for a period of one (1) year from the date of purchase. During this one-year warranty period, if the product is found to be defective, T&S shall, at its options, repair and/or replace it. To obtain warranty service, products must be returned to...

*T&S Brass and Bronze Works, Inc.
Attn: Warranty Repair Department
2 Saddleback Cove
Travelers Rest, SC 29690*

Shipping, freight, insurance, and other transportation charges of the product to T&S and the return of repaired or replaced product to the purchaser are the responsibility of the purchaser. Repair and/or replacement shall be made within a reasonable time after receipt by T&S of the returned product. This warranty does not cover items which have received secondary finishing or have been altered or modified after purchase, or for defects caused by physical abuse to or misuse of the product, or shipment of the products.

Any express warranty not provided herein, and any remedy for Breach of Contract which might arise, is hereby excluded and disclaimed. Any implied warranties of merchantability or fitness for a particular purpose are limited in duration to the warranty period provided on the product. Under no circumstances shall T&S be liable for loss of use or any special consequential costs, expenses or damages.

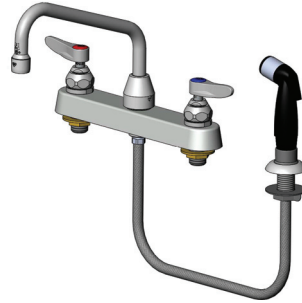
Some states do not allow limitations on how long and implied warranty lasts or the exclusion or limitation of incidental or consequential damages, so the above limitations or exclusions may not apply to you. Specific rights under this warranty and other rights vary from state to state.

Attention California Residents:

"WARNING: This product contains chemicals known to the State of California to cause cancer, and birth defects or other reproductive harm."

P/N: 098-019519-45
Date: 03-29-16
Drawn: TEH
Checked: DMH 04-06-16
Approved: JHB 04-07-16

Installation and Maintenance Instructions



B-1171 & B-1172 WORKBOARD FAUCET WITH ETERNA OR CERAMA CARTRIDGES & SIDESPRAY

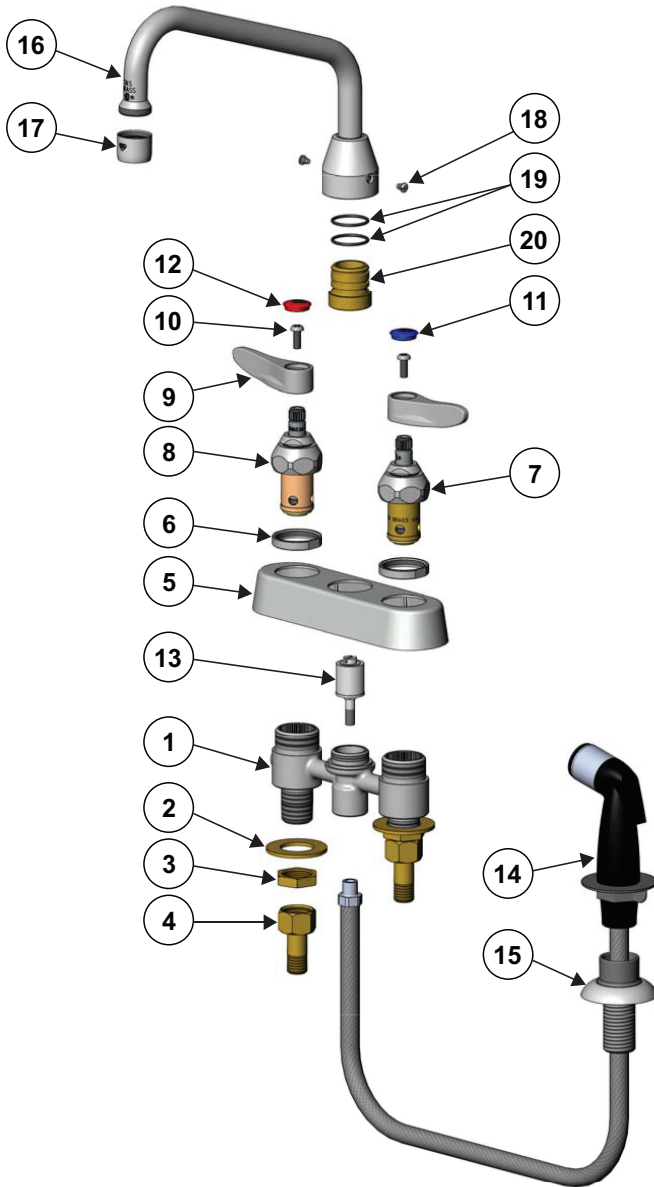
Español:
Instrucciones de instalación
y mantenimiento

Français:
Instructions pour l'installation
et la maintenance

Deutsch:
Installations- und Wartungsanleitungen

中文:
安装与维护说明

Exploded View



Part Number Guide

Workboard Faucet Assemblies

1	Base Faucet	N/A
2	Lock Washer, Shank	000999-45
3	Locknut, Shank	002954-45
4	Nut & Tailpiece	150A
5	Escutcheon: B-1110 Eterna Workboard (4" centers)	019374-40
	Escutcheon: B-1120 Eterna Workboard (8" centers)	019375-40
6	Locknut, Escutcheon	019376-40
7	Eterna Cartridge: Quarter-Turn w/ Spring Check LTC (new style)	019382-40
	Cerama Cartridge: Quarter-Turn w/ Check Valve LTC (new style)	019385-40
8	Eterna Cartridge: Quarter-Turn w/ Spring Check RTC (new style)	019383-40
	Cerama Cartridge: Quarter-Turn w/ Check Valve RTC (new style)	019384-40
9	Handle, Lever (new style)	019361-45
	Handle, Wrist Action (new style)	019362-45
10	Screw, Handle	000925-45
11	Index, Blue Button, Press-in (new style)	019363-45
12	Index, Red Button, Press-in (new style)	019364-45
13	Piston, Valve Diverter	002338-45
14	Sidespray w/ 4" Vinyl Hose & Hose Guide	001495-45
	Sidespray w/ 7" Vinyl Hose, Hose Guide & Male Adapter	013659-45
15	Hose Guide	001496-45
16	Asm, Swing Nozzle w/ 2.2 GPM Aerator	N/A
17	Aerator, 2.2 GPM , 55/64"-27 UN Female	B-0199-01
18	Screw, Diverter Cover	001486-45
19	O-Ring	001069-45
20	Adapter, Diverter	N/A

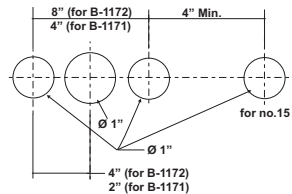
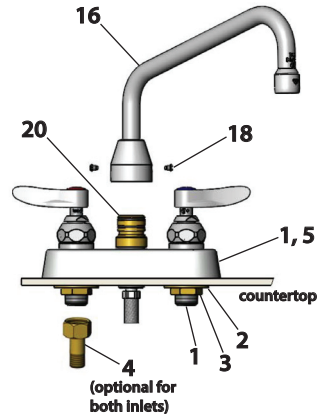
General Instructions

Nozzle Installation

1. Place no.16 onto no.20.
2. Insert both no.18's into each side of no.16 and tighten.

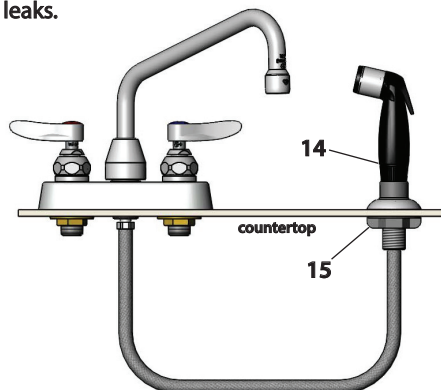
Faucet Installation

3. Shut off water supply and drain lines. Drill (4) holes \varnothing 1" holes into the countertop with the applicable spacing shown.
4. Apply Plumber's Putty to the bottom face of no.5. Position no.1 into the drilled countertop.
5. Install no.2 and no.3 on each no.1 shank and tighten. Install no.4 if they are to be used.
6. Connect water supply to no.1 shanks or no.4 if applicable.



Sidespray & Hose Guide Installation

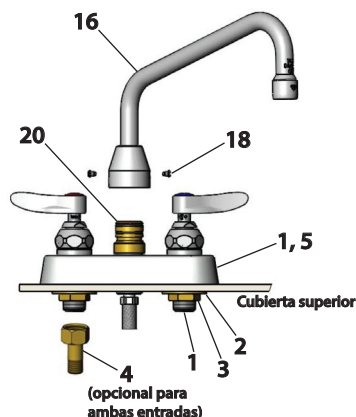
7. Disassemble no.15 and insert shank portion into the countertop hole. Screw locknut of no.15 onto no.15 shank and tighten.
8. Apply Teflon tape to the threaded end of no.14 hose and insert through no.15. Install into outlet in faucet body.
9. Turn on water supply and check for leaks.



Instrucciones Generales

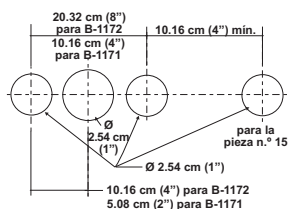
Instalación de la boquilla

1. Coloque la pieza n.º 16 en la n.º 20.
2. Inserte ambas piezas n.º 18 en cada lado de la pieza n.º 16 y apriete.



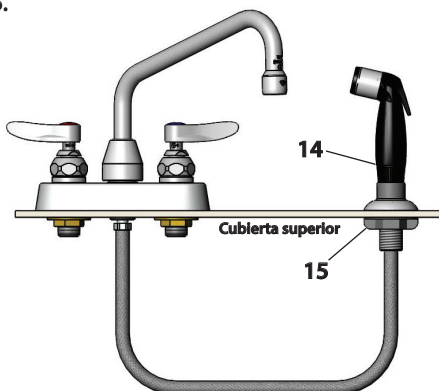
Instalación del grifo

3. Corte el suministro de agua y drene las líneas. Perfore cuatro (4) orificios de 2.54 cm (1") de diámetro en la cubierta superior, con el espaciado mostrado correspondiente.
4. Coloque masilla de plomería en la superficie inferior de la pieza n.º 5. Coloque la pieza n.º 1 en la cubierta superior perforada.
5. Instale las piezas n.º 2 y n.º 3 en cada vástago n.º 1 y apriete. Instale las piezas n.º 4 si van a usarse.
6. Conecte el suministro de agua a los vástagos n.º 1 o a la pieza n.º 4, si aplica.



Instalación de la guía de la manguera y del rociador lateral

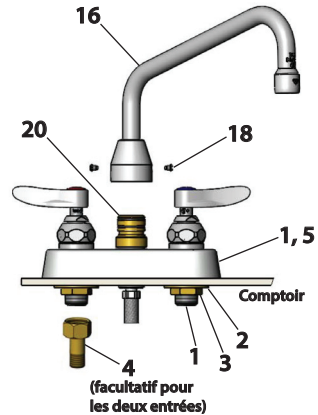
7. Desmonte la pieza n.º 15 e inserte la parte del vástago en el interior del orificio de la cubierta superior. Atornille la tuerca de bloqueo de la pieza n.º 15 en el vástago de dicha pieza n.º 15 y apriete.
8. Coloque cinta teflón en el extremo roscado de la manguera de la pieza n.º 14 e insértela a través de la pieza n.º 15. Instale dentro de la salida, en el interior del cuerpo del grifo.
9. Abra el suministro de agua y compruebe que no haya fugas.



Instructions Générales

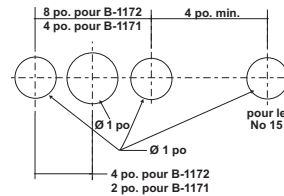
Installation de la lance

1. Placez le No 16 sur le No 20.
2. Insérez les deux No 18 dans chaque côté du No 16 et serrez.



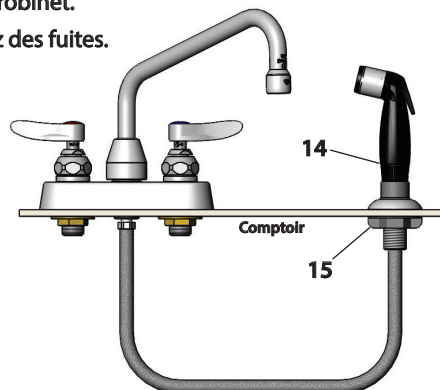
Installation du robinet

3. Coupez l'alimentation en eau et les conduites d'évacuation. Forez (4) trous de 1 po. de diamètre dans le comptoir en respectant l'espacement indiqué.
4. Appliquez du mastic de plombier sur la face inférieure du No 5. Mettez en place le No 1 dans le comptoir percé.
5. Installez les No 2 et 3 sur chacune des douilles No 1 et serrez. Installez les No 4 s'ils doivent être utilisés.
6. Branchez l'arrivée d'eau aux douilles No 1 ou No 4 le cas échéant.



Installation de la douchette latérale et du guide de tuyau souple

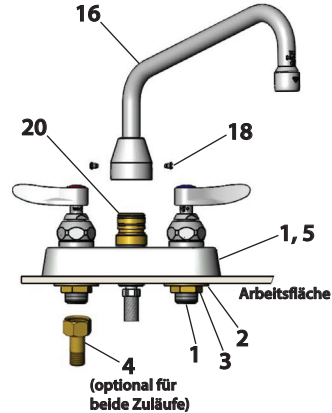
7. Démontez le No 15 et insérez la portion de douille dans l'orifice du comptoir. Visser le contre-écrou du No 15 sur la douille No 15 et serrez.
8. Appliquez du ruban de Téflon sur l'extrémité fileté du tuyau souple No 14 et l'insérez dans le No 15. Installez dans la sortie du corps du robinet.
9. Ouvrez l'arrivée d'eau et recherchez des fuites.



Allgemeine Anleitungen

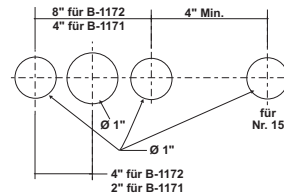
Einbau der Düse

1. Nr. 16 auf Nr. 20 platzieren.
2. Die beiden Nr. 18 auf der jeweiligen Seite von Nr. 16 einsetzen und festziehen.



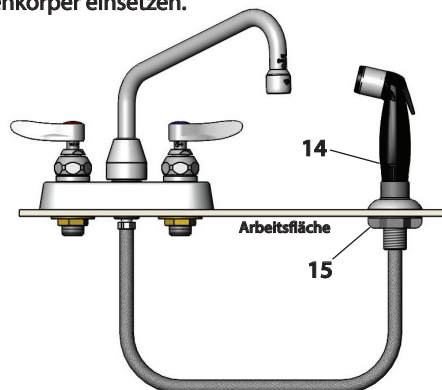
Montage der Armatur

3. Wasserzufuhr ausschalten und Rohre entleeren. (4) Löcher mit einem Durchmesser \varnothing von 1" wie abgebildet in entsprechendem Abstand in die Arbeitsplatte bohren.
4. Den Kitt auf die Unterseite von Nr. 5 auftragen. Nr. 1 in die Bohrungen der Arbeitsplatte platzieren.
5. Nr. 2 und Nr. 3 an jedem Schaft Nr. 1 montieren und festziehen. Nr. 4 einbauen, falls sie verwendet werden sollen.
6. Wasserzufuhr an Schaft Nr. 1 oder Nr. 4 anschließen, falls zutreffend.



Montage von Seitenbrause & Schlauchführung

7. Nr. 15 zerlegen und Schaftteil in die Bohrung in der Arbeitsplatte einsetzen. Kontermutter von Nr. 15 auf Schaft Nr. 15 schrauben und festziehen.
8. Teflonband am Gewinde-Ende von Schlauch Nr. 14 anbringen und durch Nr. 15 einsetzen. In die Auslassbohrung im Armaturenkörper einsetzen.
9. Wasserzufuhr anschalten und auf Dichtigkeit prüfen.



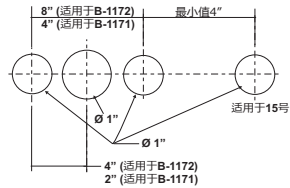
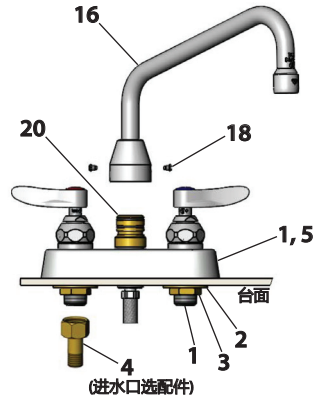
安装说明

水嘴安装

1. 将16号扣在20号上。
2. 把两个18号插入至16号的两边并拧紧。

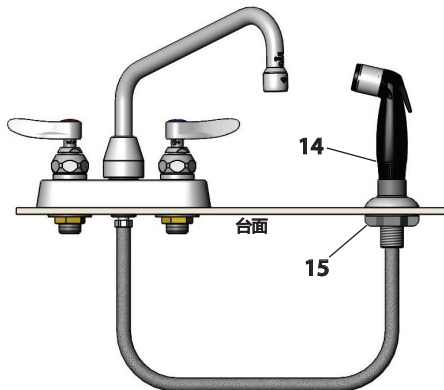
龙头安装

3. 关闭供水和排水管道。在工作台面上钻4个间距合适的孔，孔径为1" (25mm)。
4. 在5号的底面涂上油灰，把1号安置到钻过孔的工作台面上。
5. 把2号和3号安装到相应的1号接头上并拧紧。根据需求选装4号配件。
6. 在1号接头处或者4号（如果有使用）处连接供水。

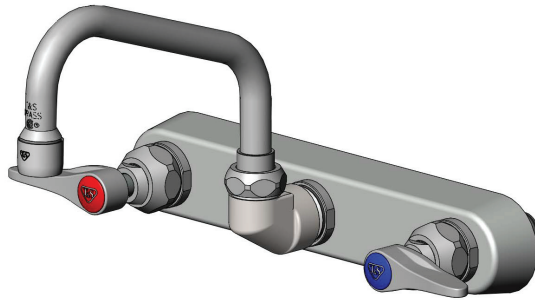


侧喷头以及软管导管的安装

7. 将15号拆开，把喷阀直柄插入至工作台面上的孔后，拧紧螺母固定。
8. 在14号软管的螺纹端缠上生料带，并插入通过15号。连接至龙头本底部上的出水口。
9. 打开供水开关检查是否漏水。



RELATED T&S BRASS PRODUCT LINE



B-1125
Back-Mounted
Workboard Faucet

T&S BRASS AND BRONZE WORKS, INC.

A firm commitment to application-engineered plumbing products

2 Saddleback Cove, P.O. Box 1088,
Travelers Rest, SC 29690

Phone: (864) 834-4102

Fax: (864) 834-3518

E-mail: tsbrass@tsbrass.com

T & S Brass-Europe
'De Veenhoeve'
Oude Nieuwveenseweg 84
2441 CW Nieuwveen
The Netherlands



RELIABILITY BUILT IN™