



# T&S BRASS AND BRONZE WORKS, INC.

2 Saddleback Cove / P.O. Box 1088  
Travelers Rest, SC 29690

Model No.

**S-1147**

Item No.

Travelers Rest, SC: 800-476-4103 • Simi Valley, CA: 800-423-0150 • Fax: 864-834-3518 • www.tsbrass.com

## EVERSTEEL



### ADA Compliant

This Space for Architect/Engineer Approval

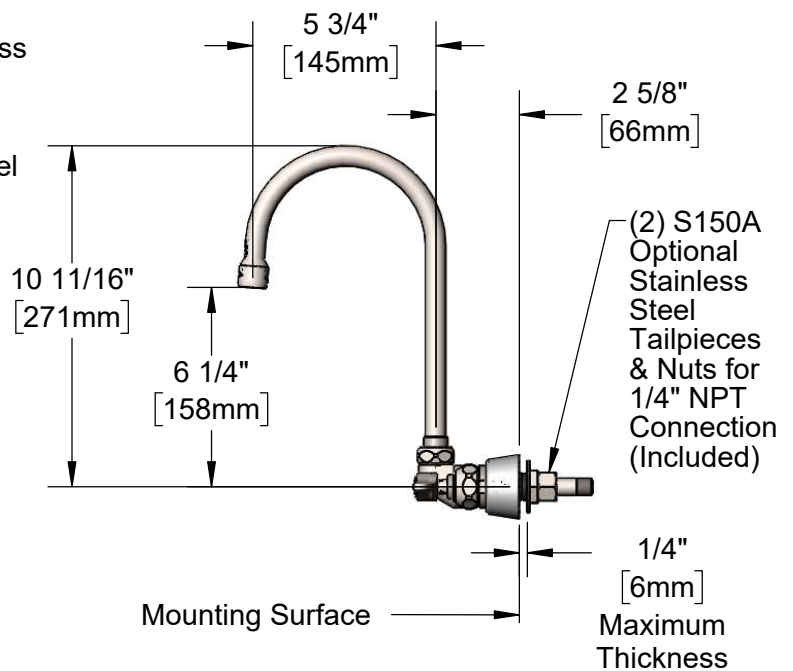
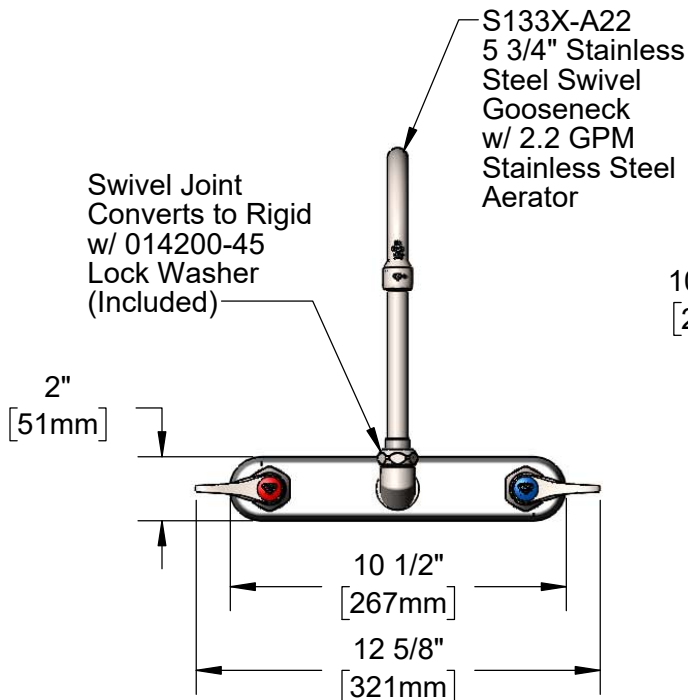
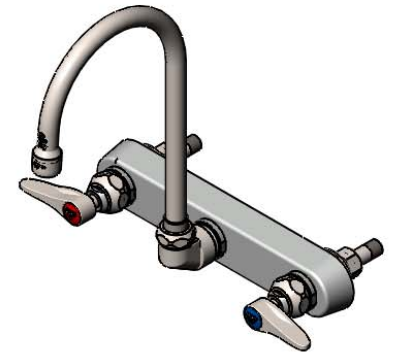
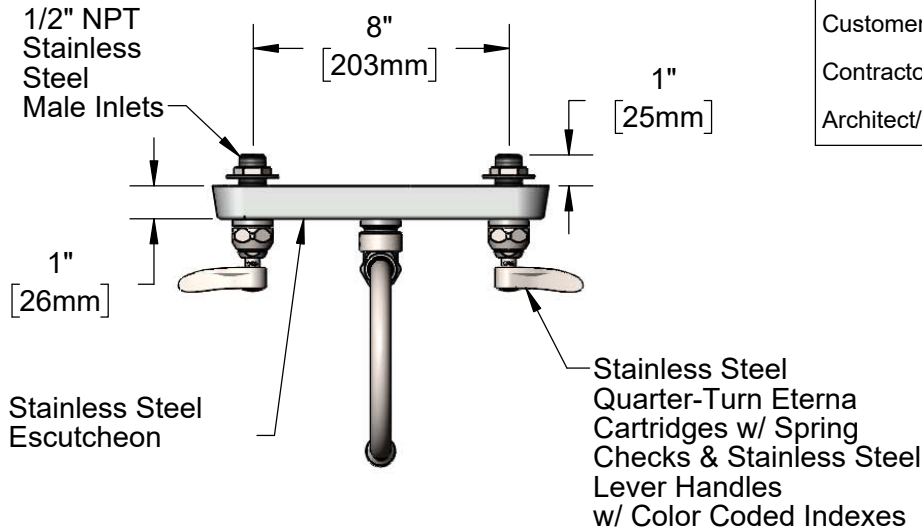
Job Name \_\_\_\_\_ Date \_\_\_\_\_

Model Specified \_\_\_\_\_ Quantity \_\_\_\_\_

Customer/Wholesaler \_\_\_\_\_

Contractor \_\_\_\_\_

Architect/Engineer \_\_\_\_\_



**Rough-In Requirement:**  
(2)  $\varnothing$  1" [25mm] Mounting Holes

#### Product Specifications:

8" Stainless Steel Wall Mount Workboard Faucet, Stainless Steel Quarter-Turn Eterna Cartridges w/ Spring Checks, Stainless Steel Lever Handles, 5 3/4" Stainless Steel Swivel Gooseneck, 2.2 GPM Stainless Steel Aerator & 1/2" NPT Stainless Steel Male Inlets

#### Product Compliance:

ASME A112.18.1 / CSA B125.1  
NSF 61 - Section 9  
NSF 372 (Low Lead Content)  
ANSI A117.1 (ADA)



# T&S BRASS AND BRONZE WORKS, INC.

2 Saddleback Cove / P.O. Box 1088  
Travelers Rest, SC 29690

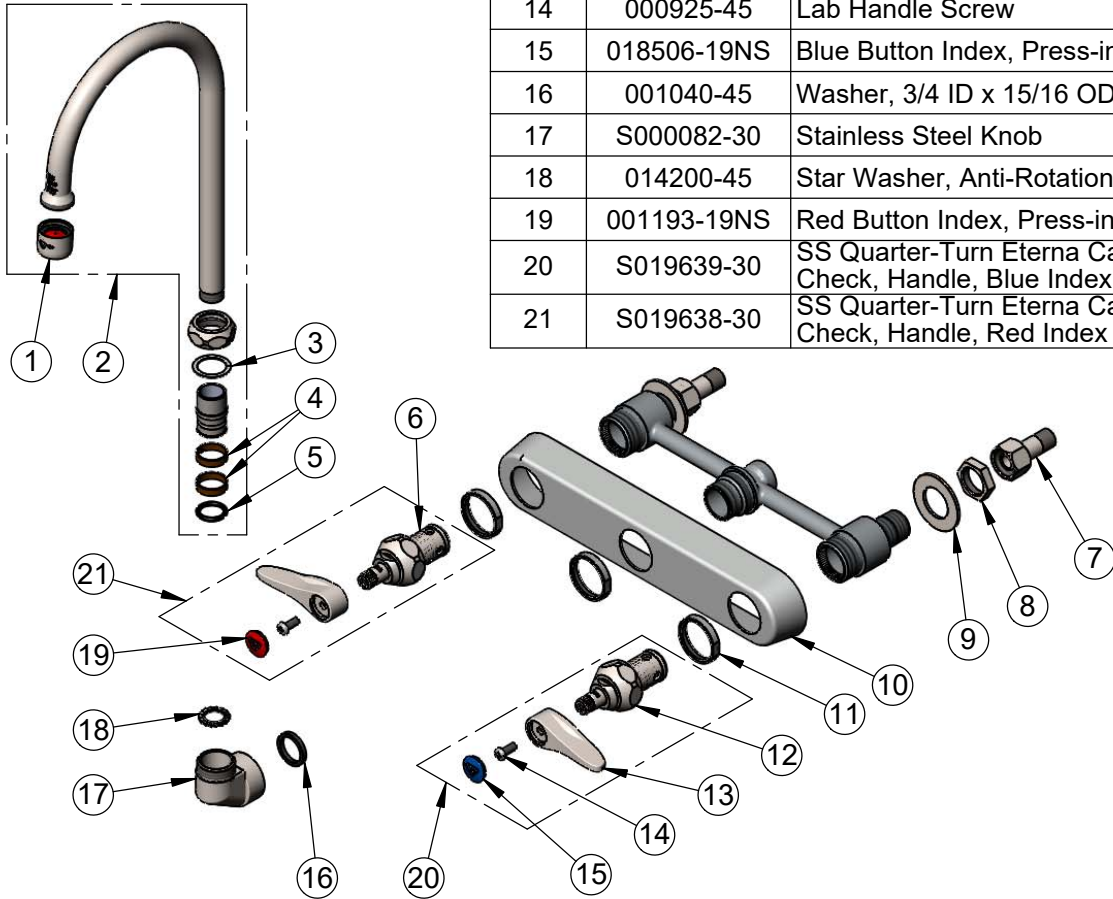
Model No.

**S-1147**

Item No.

Travelers Rest, SC: 800-476-4103 • Simi Valley, CA: 800-423-0150 • Fax: 864-834-3518 • www.tsbrass.com

ITEM NO.	SALES NO.	DESCRIPTION
1	S-0199-01	2.2 GPM SS Aerator, 55/64-27 UN Female
2	S133X-A22	5 3/4" SS Swivel Gooseneck w/ 2.2 GPM SS Aerator
3	009538-45	Swivel Washer
4	011429-45	Swivel Sleeves (2)
5	001074-45	O-Ring
6	S012442-30NS	SS Quarter-Turn New Style Eterna Cartridge w/ Spring Check, LTC
7	S150A	1/4" NPT Stainless Steel Tailpiece & Nut
8	S002954-20	Stainless Steel Shank Lock Nut
9	S000999-20	Stainless Steel Lock Washer
10	S019375-30	S-1120 Eterna Workboard Escutcheon
11	S019376-30	Stainless Steel Escutcheon Lock Nut
12	S012443-30NS	Stainless Steel Quarter-Turn New Style Eterna Cartridge w/ Spring Check, RTC
13	S001638-30NS	Stainless Steel Lever Handle (New Style)
14	000925-45	Lab Handle Screw
15	018506-19NS	Blue Button Index, Press-in
16	001040-45	Washer, 3/4 ID x 15/16 OD x 1/8 thick
17	S000082-30	Stainless Steel Knob
18	014200-45	Star Washer, Anti-Rotation
19	001193-19NS	Red Button Index, Press-in
20	S019639-30	SS Quarter-Turn Eterna Cartridge RTC w/ Spring Check, Handle, Blue Index & Screw
21	S019638-30	SS Quarter-Turn Eterna Cartridge LTC w/ Spring Check, Handle, Red Index & Screw



**Product Specifications:**

8" Stainless Steel Wall Mount Workboard Faucet, Stainless Steel Quarter-Turn Eterna Cartridges w/ Spring Checks, Stainless Steel Lever Handles, 5 3/4" Stainless Steel Swivel Gooseneck, 2.2 GPM Stainless Steel Aerator & 1/2" NPT Stainless Steel Male Inlets

**Product Compliance:**

ASME A112.18.1 / CSA B125.1  
NSF 61 - Section 9  
NSF 372 (Low Lead Content)  
ANSI A117.1 (ADA)