



# T&S BRASS AND BRONZE WORKS, INC.

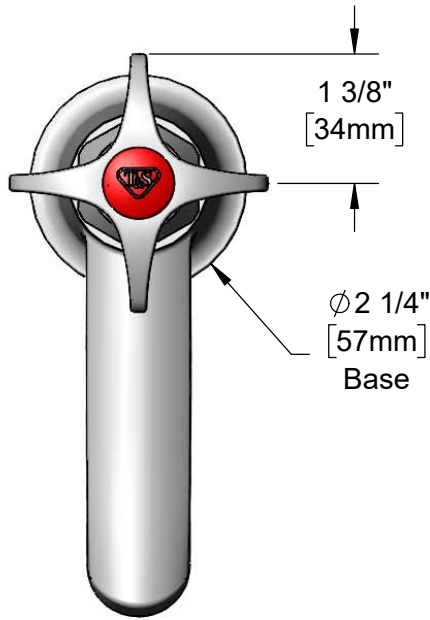
2 Saddleback Cove / P.O. Box 1088  
Travelers Rest, SC 29690

Model No.

**B-0710-HW**

Item No.

Travelers Rest, SC: 800-476-4103 • Simi Valley, CA: 800-423-0150 • Fax: 864-834-3518 • www.tsbrass.com



**ADA Compliant**

This Space for Architect/Engineer Approval

Job Name \_\_\_\_\_ Date \_\_\_\_\_

Model Specified \_\_\_\_\_ Quantity \_\_\_\_\_

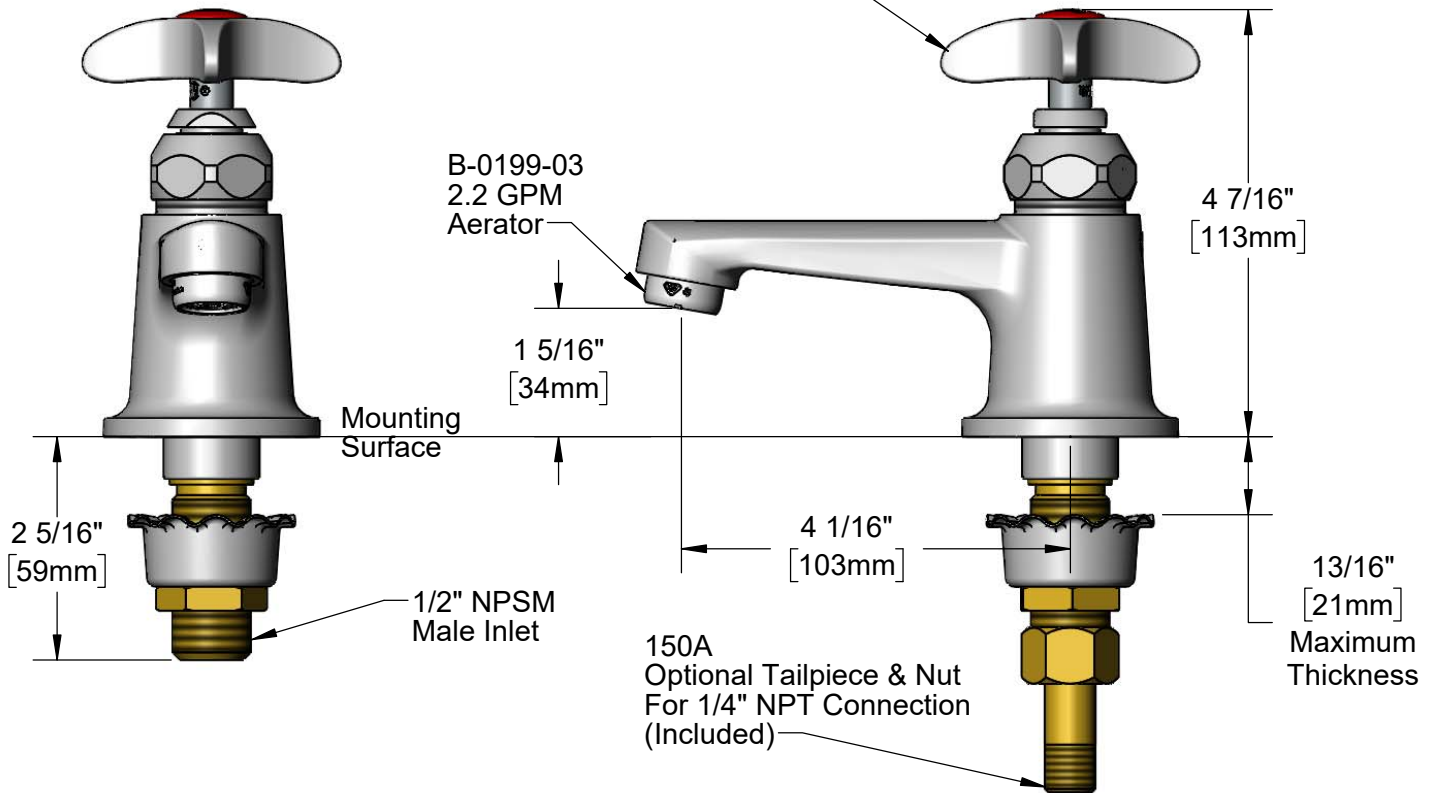
Customer/Wholesaler \_\_\_\_\_

Contractor \_\_\_\_\_

Architect/Engineer \_\_\_\_\_



Quarter-Turn  
Eterna Cartridge  
w/ Spring Check &  
4-Arm Handle w/  
Red (Hot) Index



Rough-In Requirement:  
Ø 1 1/8" [29mm] Mounting Hole

**Product Specifications:**

Single Hole Single Temperature Deck Mount Basin Faucet, Quarter-Turn Eterna Cartridge w/ Spring Check, 4-Arm Kitchen Handle, Hot Index, 2.2 GPM Aerator & 1/2" NPSM Male Inlet

**Product Compliance:**

ASME A112.18.1 / CSA B125.1  
NSF 61 - Section 9  
NSF 372 (Low Lead Content)  
ANSI A117.1 (ADA)

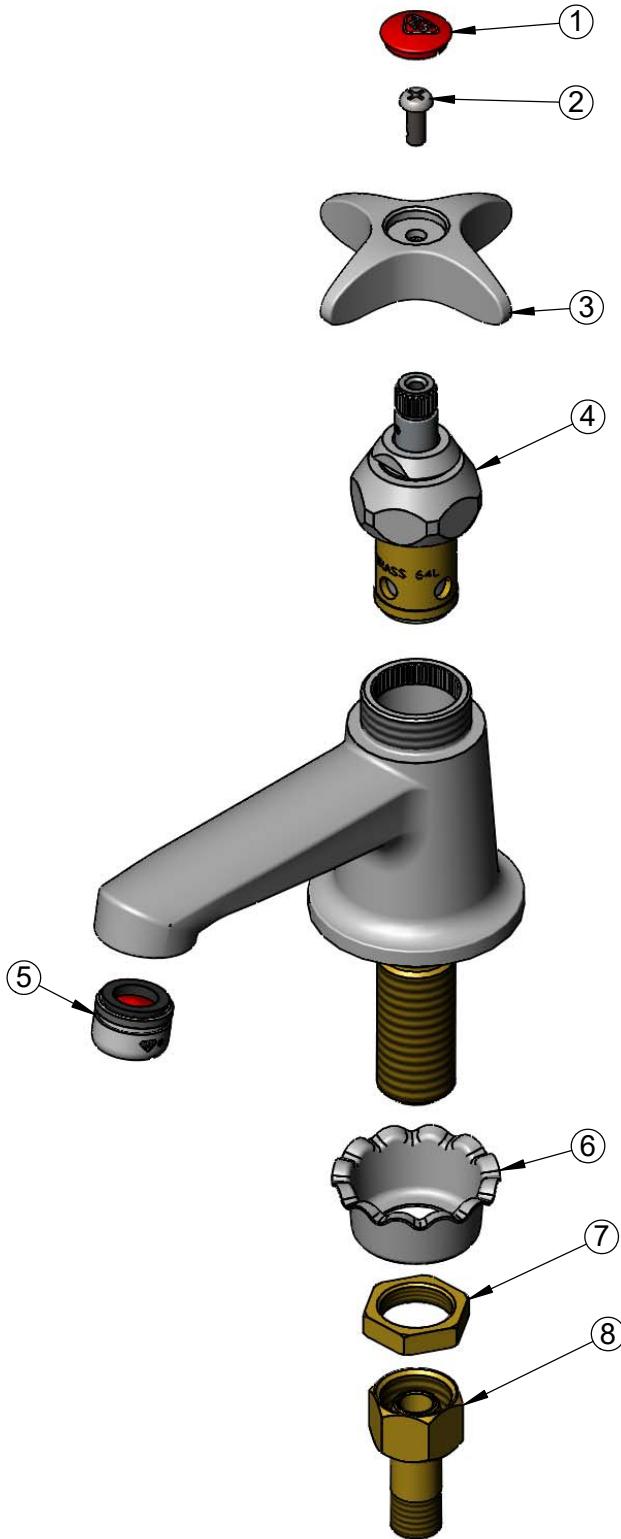


**T&S BRASS AND BRONZE WORKS, INC.**  
 2 Saddleback Cove / P.O. Box 1088  
 Travelers Rest, SC 29690

Model No.  
**B-0710-HW**

Item No.

Travelers Rest, SC: 800-476-4103 • Simi Valley, CA: 800-423-0150 • Fax: 864-834-3518 • www.tsbrass.com



ITEM NO.	SALES NO.	DESCRIPTION
1	001193-19NS	Red Button Index, Press-in
2	000925-45	Lab Handle Screw
3	002521-45NS	4-Arm Handle (New Style)
4	012443-40NS	Quarter-Turn Eterna Cartridge w/ Spring Check, RTC
5	B-0199-03	2.2 GPM Aerator
6	001000-45	Rosette Washer
7	002954-45	Shank Lock Nut
8	150A	1/4" NPT Tailpiece & Nut

Product Specifications:  
 Single Hole Single Temperature Deck Mount Basin Faucet, Quarter-Turn Eterna Cartridge w/ Spring Check, 4-Arm Kitchen Handle, Hot Index, 2.2 GPM Aerator & 1/2" NPSM Male Inlet

Product Compliance:  
 ASME A112.18.1 / CSA B125.1  
 NSF 61 - Section 9  
 NSF 372 (Low Lead Content)  
 ANSI A117.1 (ADA)