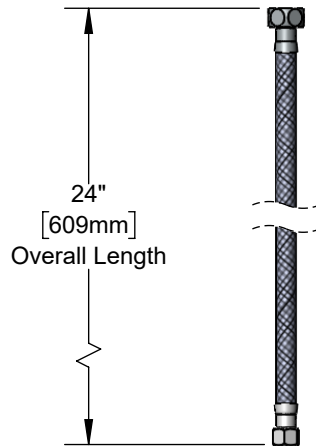




Architect/Engineering Specifications:

Tin lined 24" flexible stainless steel supply hose with 3/8" compression female swivel nut inlet. Certified to NSF 372.

Job Name _____
Model Specified _____ Quantity _____
Variations Specified _____
Date _____



Features & Benefits:

- 24" flexible stainless steel hose
- 3/8" compression female swivel nut inlet
- 1/2" NPSM female swivel nut outlet
- Tin-Lined for deionized or reverse osmosis water
- Material: Stainless steel outer braid

Product Compliance:

- NSF 372 (Low Lead Content)



Warranty: One Year (Limited)

Performance Data:

- N/A

