



Architect/Engineering Specifications:

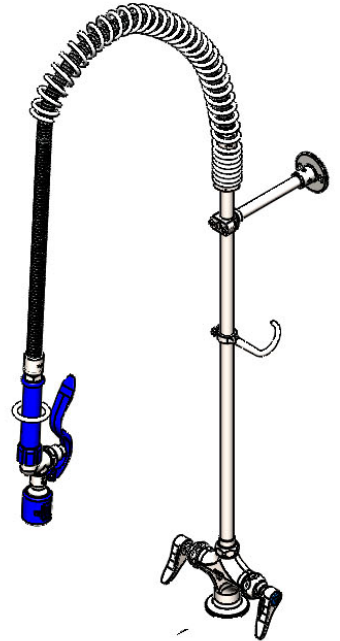
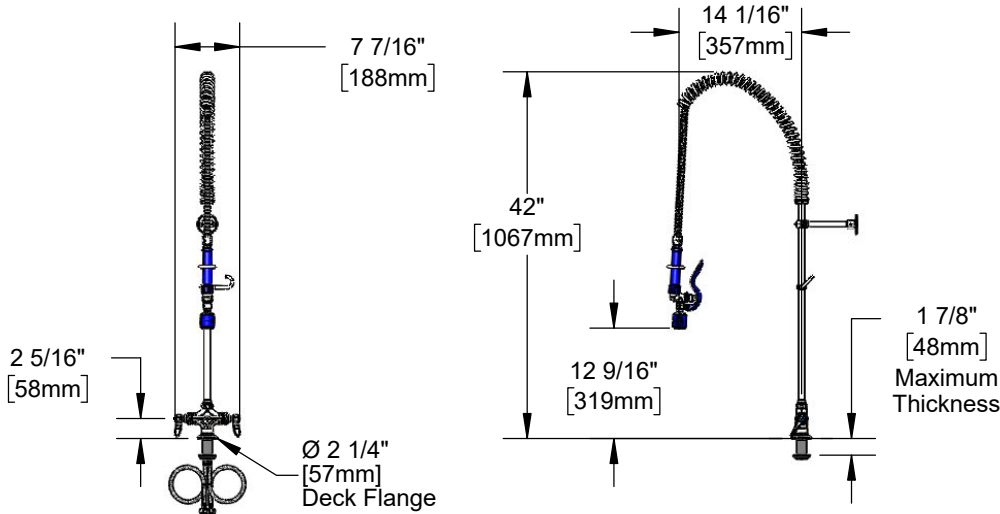
Single hole stainless steel deck mount mixing faucet, stainless steel 24" riser, 44" flexible stainless steel hose with heat resistant handle, stainless steel 1.07 GPM spray valve, stainless steel compression cartridges with spring checks, stainless steel lever handles, 18" flexible stainless steel supply hoses with G1/2" female swivel connections, stainless steel 6" adjustable wall bracket, stainless steel spray valve holder and stainless steel overhead spring. Certified to ASME A112.18.1/CSA B125.1, NSF 61-Section 9 and NSF 372. 2019 DOE PRSV - Class II compliant.

Job Name _____

Model Specified _____ Quantity _____

Variations Specified _____

Date _____



Features & Benefits:

- All stainless steel construction with brushed finish
- Single hole deck mount mixing faucet w/ stainless steel body
- Stainless steel EasyInstall riser for quick installation
- 44" flexible stainless steel hose w/ heat resistant blue handle and hold down ring
- Stainless steel 1.07 GPM spray valve
- Stainless steel quarter-turn Eterna compression cartridges with spring checks to prevent cross flow of water
- Stainless steel lever handles w/ color coded indexes
- Stainless steel 6" adjustable wall bracket
- 18" flexible stainless steel supply hoses w/ G1/2" female swivel connections (compatible w/ 1/2" NPSM threads)
- Material: Stainless steel body, tubular nozzle, riser, spray valve, hose, cartridges and handles

Product Compliance:

- ASME A112.18.1 / CSA B125.1
- NSF 61 - Section 9
- NSF 372 (Low Lead Content)
- 2019 DOE PRSV - Class II



Warranty: Lifetime (Limited)

Performance Data:

- Pressure: 20 - 125 psi [1.38 - 8.62 bar]
- Temperature: 40 °F - 140 °F [4.44 °C - 60 °C]
- Flow Rate: 1.07 GPM [4.05 L/min] @ 60 psi [4.14 bar]

**Stainless Steel
Optional Pre-Rinse Spray Valve**

- S-0107 (1.15 GPM)
- S-0107-J (1.07 GPM) (Standard)

