



T&S BRASS AND BRONZE WORKS, INC.

2 Saddleback Cove / P.O. Box 1088
Travelers Rest, SC 29690

Model No.

S-0133-12-CR-BJ

Item No.

Travelers Rest, SC: 800-476-4103 • Simi Valley, CA: 800-423-0150 • Fax: 864-834-3518 • www.tsbrass.com

This Space for Architect/Engineer Approval

Job Name _____ Date _____

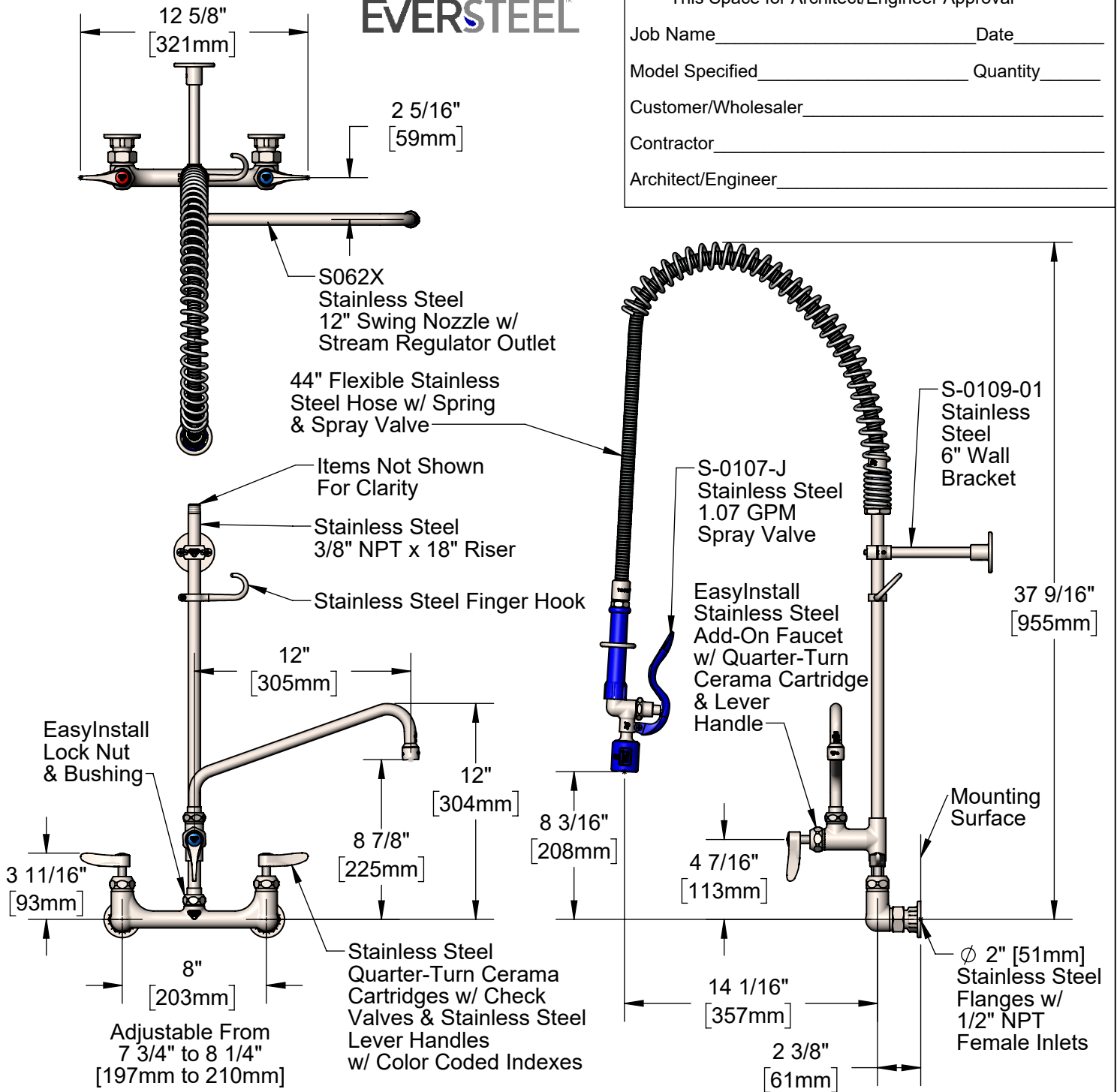
Model Specified _____ Quantity _____

Customer/Wholesaler _____

Contractor _____

Architect/Engineer _____

EVERSTEEL™



Product Specifications:

Pre-Rinse Unit: EasyInstall 8" Stainless Steel Wall Mount Mixing Faucet, SS Quarter-Turn Cerama Cartridges w/ Check Valves, SS Lever Handles, SS Add-On Faucet, SS 12" Swing Nozzle, 44" Flexible Stainless Steel Hose, SS 1.07 GPM Spray Valve, SS 6" Wall Bracket & SS 1/2" NPT Female Inlets

Product Compliance:

ASME A112.18.1 / CSA B125.1
NSF 61 - Section 9
NSF 372 (Low Lead Content)
2019 DOE PRSV - Class II



T&S BRASS AND BRONZE WORKS, INC.

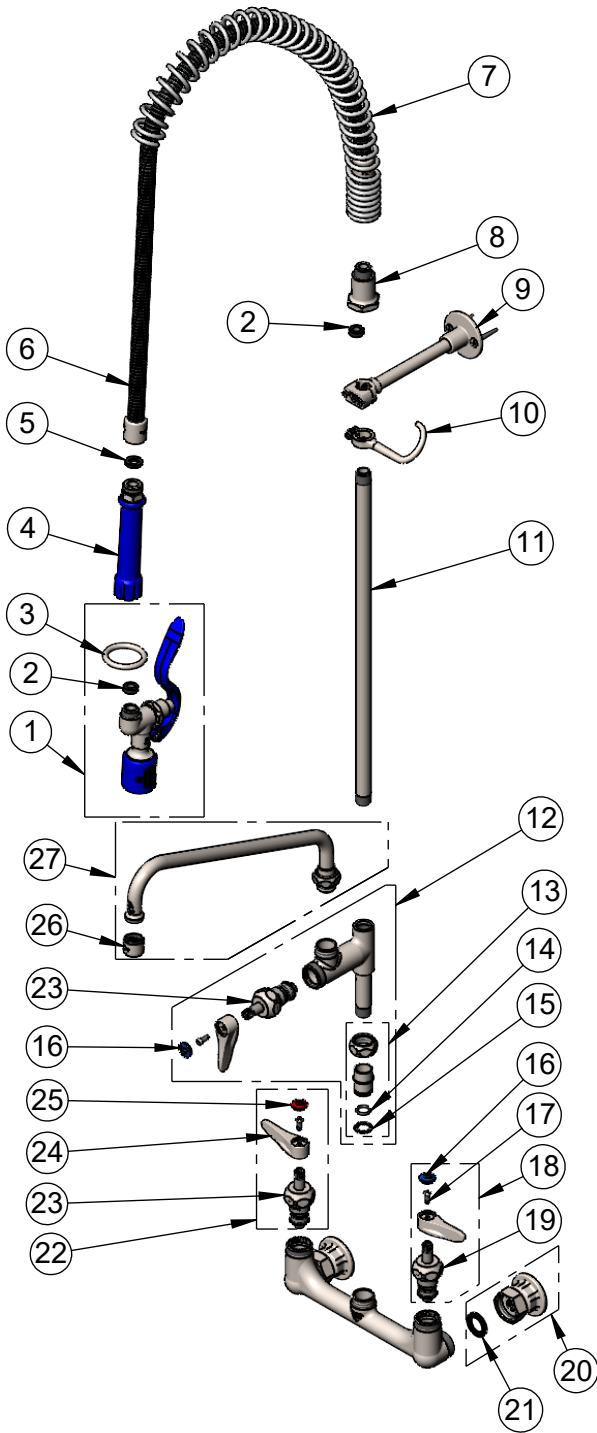
2 Saddleback Cove / P.O. Box 1088
Travelers Rest, SC 29690

Model No.

S-0133-12-CR-BJ

Item No.

Travelers Rest, SC: 800-476-4103 • Simi Valley, CA: 800-423-0150 • Fax: 864-834-3518 • www.tsbrass.com



| ITEM NO. | SALES NO. | DESCRIPTION |
|----------|----------------|--|
| 1 | S-0107-J | Stainless Steel 1.07 GPM Spray Valve (Blue) |
| 2 | 010476-45 | #27 Washer |
| 3 | S000907-30 | SS Spray Valve Hold Down Ring |
| 4 | S020795-30 | Stainless Steel Grip Handle (Blue) |
| 5 | 001014-45 | Washer, Hose Barrel |
| 6 | S-0044-H2A | 44" Flexible Stainless Steel Hose, Less Handle |
| 7 | S000888-30 | SS EasyInstall Overhead Spring |
| 8 | S000821-30 | Stainless Steel Spring Body |
| 9 | S-0109-01 | Stainless Steel 6" Wall Bracket |
| 10 | S004R | Stainless Steel Finger Hook |
| 11 | S000369-30 | Stainless Steel 3/8" NPT x 18" Riser |
| 12 | S-0155-CR-LNEZ | Stainless Steel EasyInstall Add-On Faucet w/ Quarter-Turn Cerama Cartridge & Lever Handle, Less Nozzle |
| 13 | SEZ-K | Stainless Steel EasyInstall Kit: Nut, Bushing, O-Ring & Lock Washer |
| 14 | 001065-45 | O-Ring |
| 15 | 014200-45 | Star Washer, Anti-Rotation |
| 16 | 018506-19NS | Blue Button Index, Press-in |
| 17 | 000925-45 | Lab Handle Screw |
| 18 | S012447-30NS | Stainless Steel Quarter-Turn Cerama Cartridge w/ Check Valve, Handle, Blue Index & Screw, LTC |
| 19 | S012395-30NS | Stainless Steel Quarter-Turn Cerama Cartridge w/ New Style Bonnet, Check Valve, LTC |
| 20 | S00AA | SS 1/2" NPT Female Eccentric Flange |
| 21 | 010569-45 | Washer, Inlet Flange Coupling (UK) |
| 22 | S012446-30NS | Stainless Steel Quarter-Turn Cerama Cartridge w/ Check Valve, Handle, Red Index & Screw, RTC |
| 23 | S012394-30NS | Stainless Steel Quarter-Turn Cerama Cartridge w/ New Style Bonnet, Check Valve, RTC |
| 24 | S001638-30NS | Lever Handle (New Style) |
| 25 | 001193-19NS | Red Button Index, Press-in |
| 26 | S-PT | SS Full Flow Stream Regulator, 55/64-27 |
| 27 | S062X | Stainless Steel 12" Swing Nozzle w/ Stream Regulator Outlet |

Product Specifications:

Pre-Rinse Unit: EasyInstall 8" Stainless Steel Wall Mount Mixing Faucet, SS Quarter-Turn Cerama Cartridges w/ Check Valves, SS Lever Handles, SS Add-On Faucet, SS 12" Swing Nozzle, 44" Flexible Stainless Steel Hose, SS 1.07 GPM Spray Valve, SS 6" Wall Bracket & SS 1/2" NPT Female Inlets

Product Compliance:

ASME A112.18.1 / CSA B125.1
NSF 61 - Section 9
NSF 372 (Low Lead Content)
2019 DOE PRSV - Class II