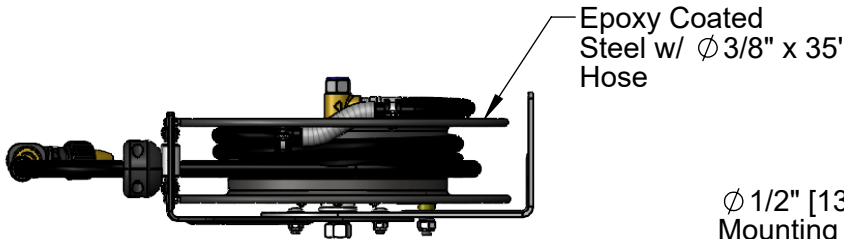
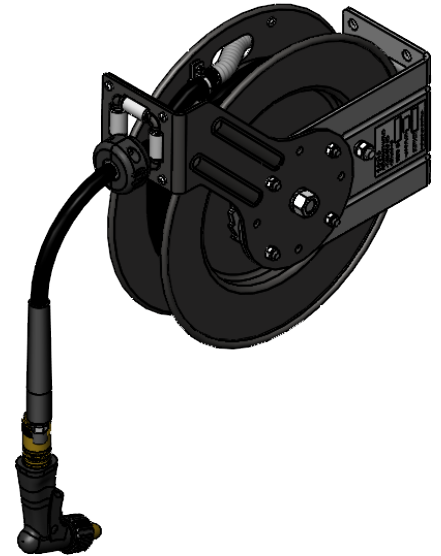
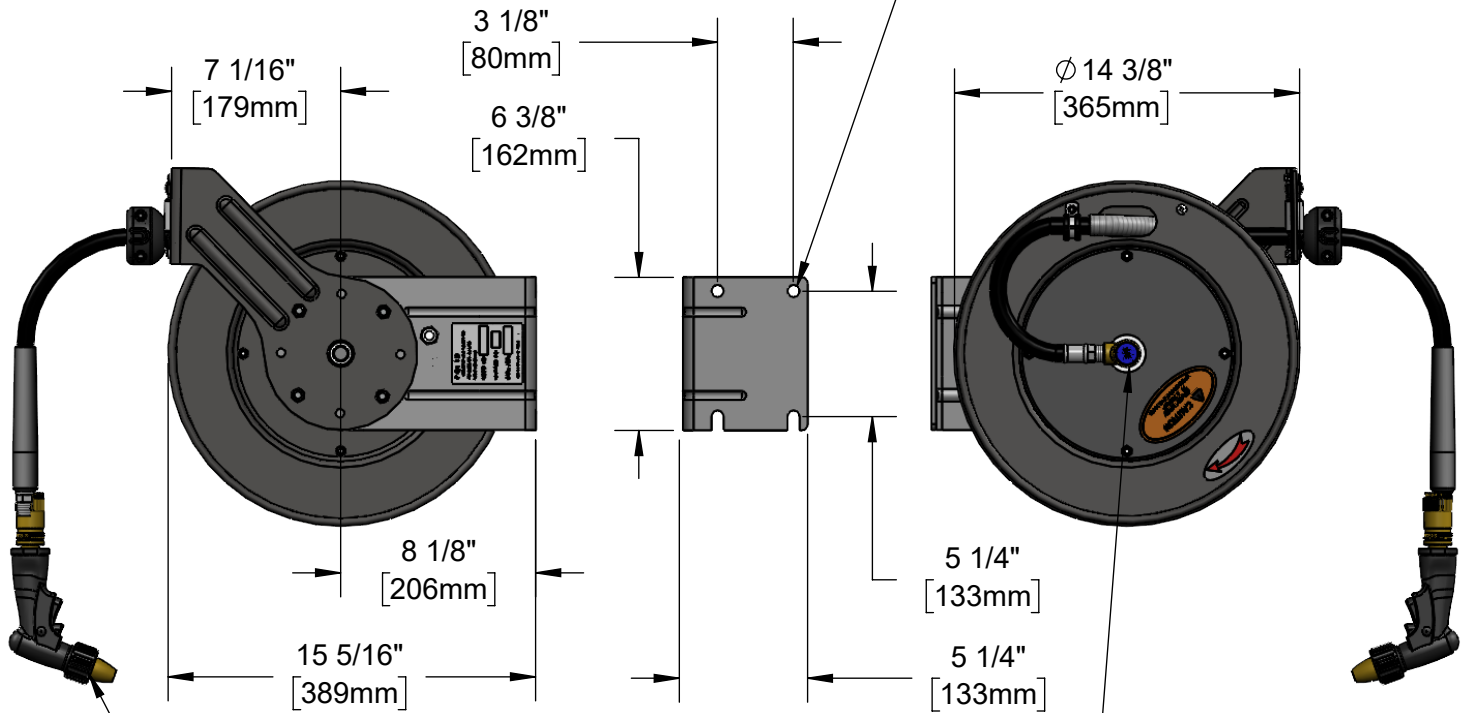


This Space for Architect/Engineer Approval

Job Name _____ Date _____
 Model Specified _____ Quantity _____
 Customer/Wholesaler _____
 Contractor _____
 Architect/Engineer _____




Ø 1/2" [13mm]
 Mounting Holes
 & Slots



5WG-1000-01
 Water Gun w/
 Quick Disconnect &
 3/8" NPT & 1/2" NPT
 Adapters

Stainless Steel
 Shaft & Brass
 Swivel w/ 3/8"
 NPT Female Inlet
 (Left Side of Reel)


 019129-25
 Reducing Adapter
 3/8" NPT Male x 1/2" NPT
 Female (Included)

Model Number
5HR-232-09-A

Product Specifications:
 Epoxy Coated Steel, Open Hose Reel w/
 Ø3/8" x 35' Hose, Reducing Adapter & Water Gun w/ Adapters

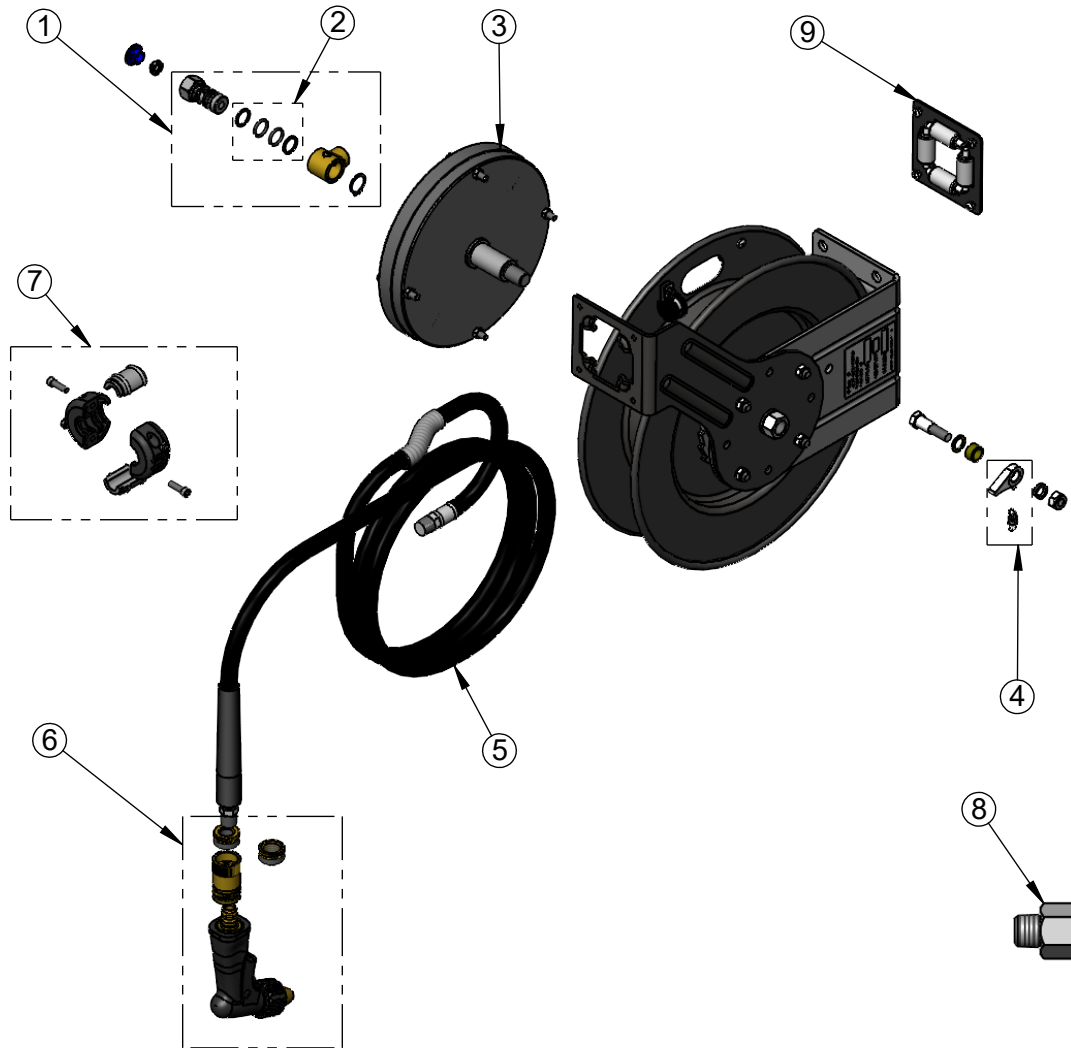
Product Compliance:
 EPAct 2005 Non-Compliant (PRSV)
 NSF 61 Exempt (Non-Potable)

equip
 Foodservice
 Accessories



2 Saddleback Cove, P.O. Box 1088
 Travelers Rest, South Carolina 29690
 Phone: 800.891.4808 Fax: 800.868.0084
 equip.tsbrass.com

ITEM NO.	SALES NO.	DESCRIPTION
1	5HR-2SA	Complete 3/8" Swivel
2	014948-45	Seal Kit
3	G016682-45	Spring
4	014940-45	Ratchet Repair Kit
5	5HR-2HSE-35	Ø 3/8" x 35' Hose
6	5WG-1000-01	equip Water Gun w/ QD and 1/2" NPT & 3/8" NPT Adapters
7	019246-45	Hose Stop Repair Kit
8	019129-25	Reducing Adapter, 3/8" NPT Male x 1/2" NPT Female
9	G016631-45	Roller Kit



Model Number

5HR-232-09-A

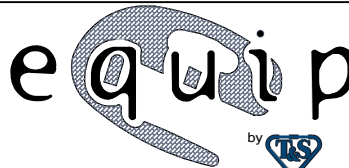
Product Specifications:

Epoxy Coated Steel, Open Hose Reel w/
Ø3/8" x 35' Hose, Reducing Adapter & Water Gun w/ Adapters

Product Compliance:

EPA Act 2005 Non-Compliant (PRSV)
NSF 61 Exempt (Non-Potable)

equip
Foodservice
Accessories



2 Saddleback Cove, P.O. Box 1088
Travelers Rest, South Carolina 29690
Phone: 800.891.4808 Fax: 800.868.0084
equip.tsbrass.com