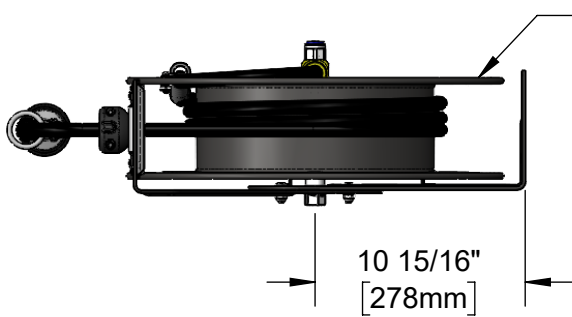


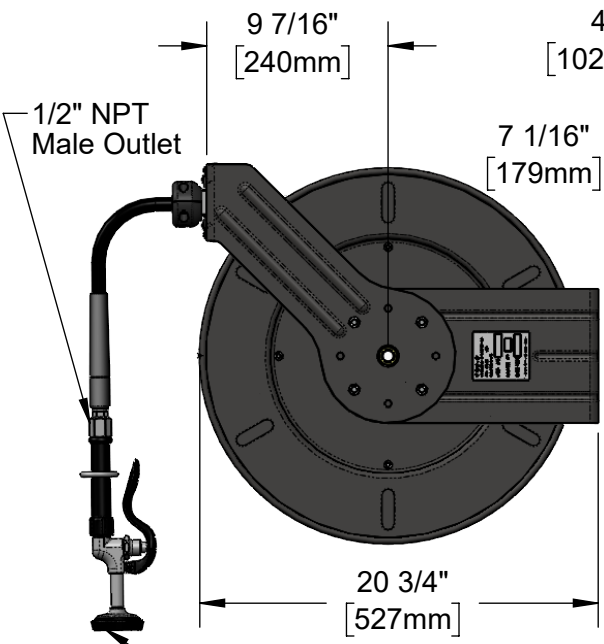
This Space for Architect/Engineer Approval

Job Name _____ Date _____
 Model Specified _____ Quantity _____
 Customer/Wholesaler _____
 Contractor _____
 Architect/Engineer _____



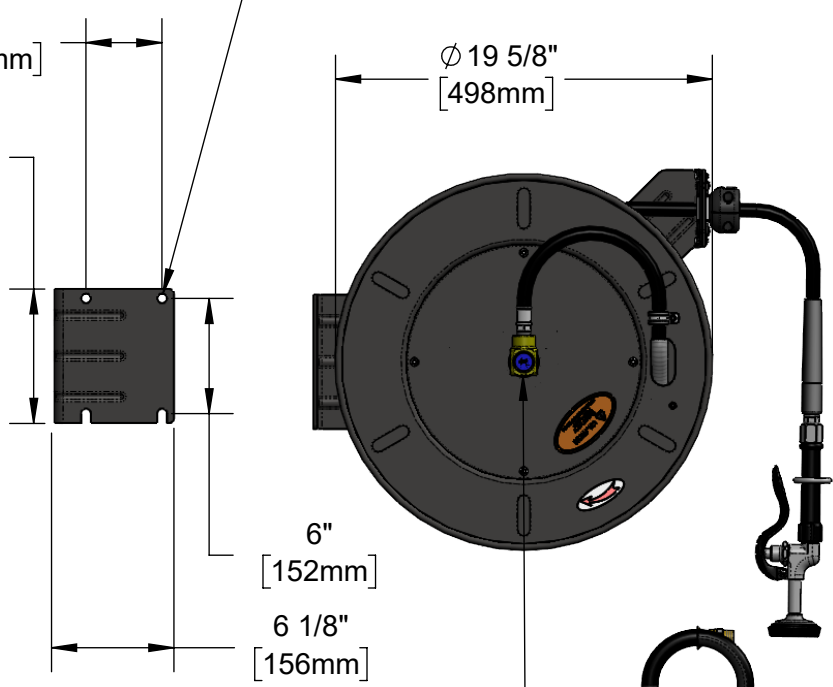
Epoxy Coated Steel w/ \varnothing 1/2" x 50' Hose

\varnothing 1/2" [13mm]
 Mounting Holes & Slots



1/2" NPT Male Outlet

5SV-WH High Flow Spray Valve



Stainless Steel Shaft & Brass Swivel w/ 1/2" NPT Female Inlet (Left Side of Reel)

1/2" x 3' Connector Hose
 1/2" NPT Male x 3/4"-11.5NH Female

Model Number
5HR-342-01-GH

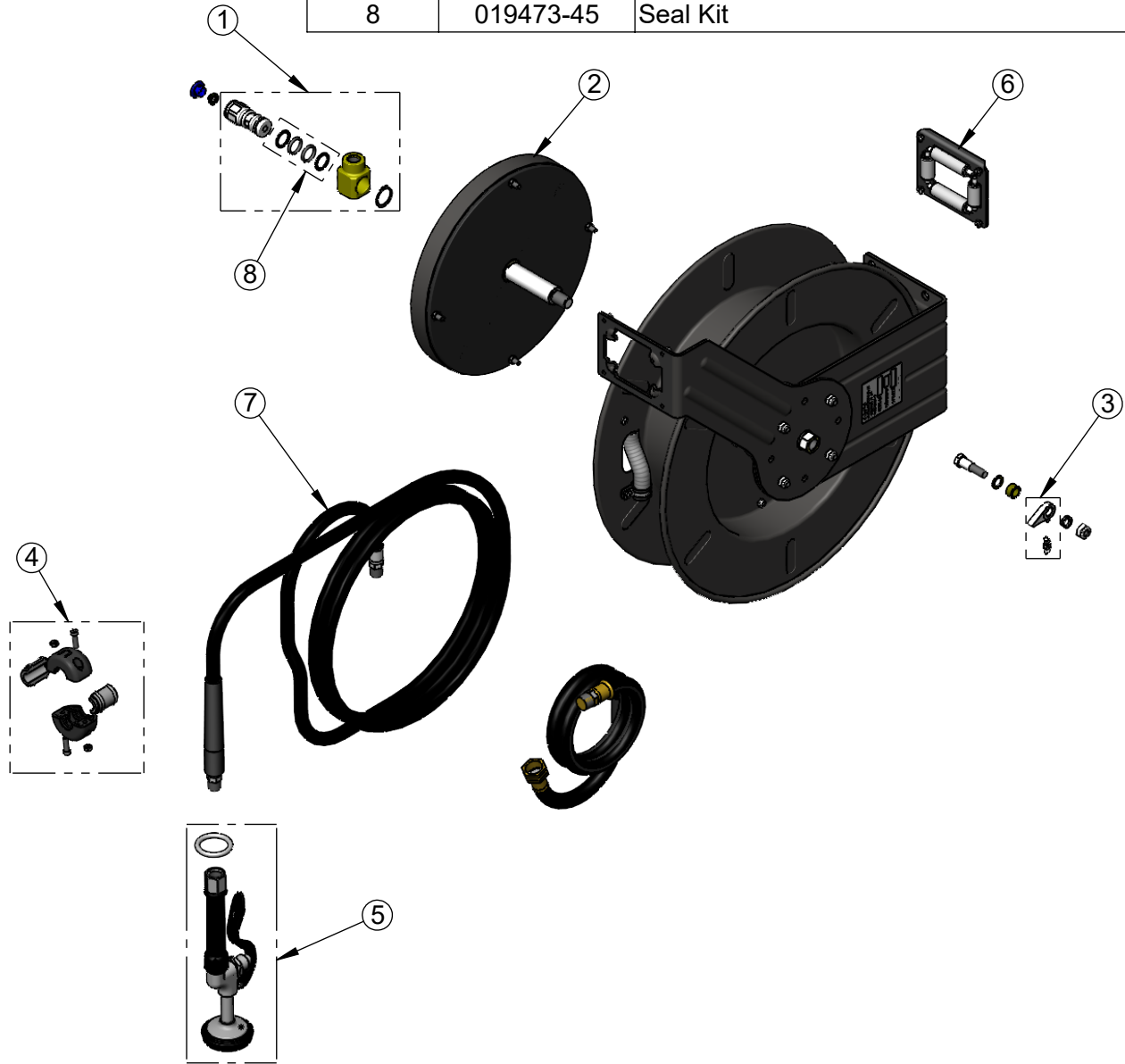
Product Compliance:
 NSF 61 Exempt (Non-Potable)
 EPAAct 2005 Non-Compliant (PRSV)

Product Specifications:
 Epoxy Coated Steel, Open Hose Reel w/ \varnothing 1/2" x 50' Hose, 3' Black Connector Hose, Garden Hose Inlet & High Flow Spray Valve

equip Foodservice Accessories

2 Saddleback Cove, P.O. Box 1088
 Travelers Rest, South Carolina 29690
 Phone: 800.891.4808 Fax: 800.868.0084
 equip.tsbrass.com

| ITEM NO. | SALES NO. | DESCRIPTION |
|----------|-------------|---------------------------|
| 1 | G016629-45 | Complete 1/2" Swivel |
| 2 | G016684-45 | Spring |
| 3 | 014940-45 | Ratchet Repair Kit |
| 4 | 014950-45 | 1/2" Hose Stop Repair Kit |
| 5 | 5SV-WH | Hose Reel Spray Valve |
| 6 | G016635-45 | Roller Kit |
| 7 | 5HR-3HSE-50 | Ø 1/2" x 50' Hose |
| 8 | 019473-45 | Seal Kit |



Model Number

5HR-342-01-GH

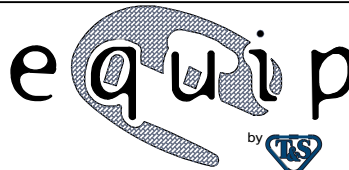
Product Specifications:

Epoxy Coated Steel, Open Hose Reel
w/ Ø1/2" x 50' Hose, 3' Black Connector Hose,
Garden Hose Inlet & High Flow Spray Valve

Product Compliance:

NSF 61 Exempt (Non-Potable)
EPA Act 2005 Non-Compliant (PRSV)

equip
Foodservice
Accessories



2 Saddleback Cove, P.O. Box 1088
Travelers Rest, South Carolina 29690
Phone: 800.891.4808 Fax: 800.868.0084
equip.tsbrass.com