



**T&S BRASS AND BRONZE WORKS, INC.**  
 2 Saddleback Cove / P.O. Box 1088  
 Travelers Rest, SC 29690

Model No.  
**B-0702-CR**

Item No.

Travelers Rest, SC: 800-476-4103 • Simi Valley, CA: 800-423-0150 • Fax: 864-834-3518 • www.tsbrass.com



**ADA Compliant**

This Space for Architect/Engineer Approval

Job Name \_\_\_\_\_ Date \_\_\_\_\_

Model Specified \_\_\_\_\_ Quantity \_\_\_\_\_

Customer/Wholesaler \_\_\_\_\_

Contractor \_\_\_\_\_

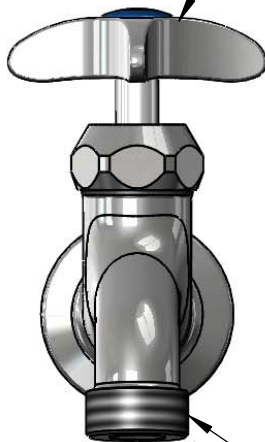
Architect/Engineer \_\_\_\_\_



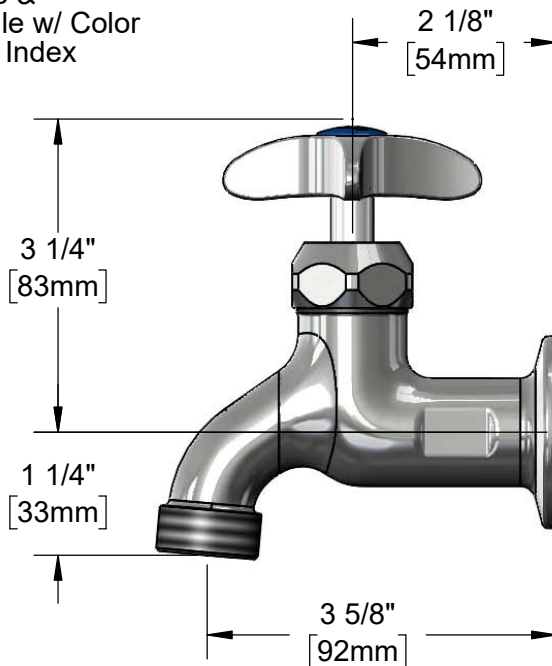
2 11/16"  
[68mm]



Quarter-Turn Cerama  
Cartridge w/  
Check Valve &  
4-Arm Handle w/ Color  
Coded Blue Index



3/4" Garden  
Hose Outlet



2 1/8"  
[54mm]

3 1/4"  
[83mm]

1 1/4"  
[33mm]

3 5/8"  
[92mm]

Ø2"  
[51mm]  
Flange w/  
1/2" NPT  
Female Inlet

**Product Specifications:**

Single Sink Wall Mount Faucet, Quarter-Turn Cerama Cartridge w/ Check Valve, 4-Arm Handle w/ Blue Index, 3/4" Garden Hose Outlet & 1/2" NPT Female Inlet

**Product Compliance:**

ASME A112.18.1 / CSA B125.1  
 NSF 61 - Section 9  
 NSF 372 (Low Lead Content)  
 ANSI A117.1 (ADA)



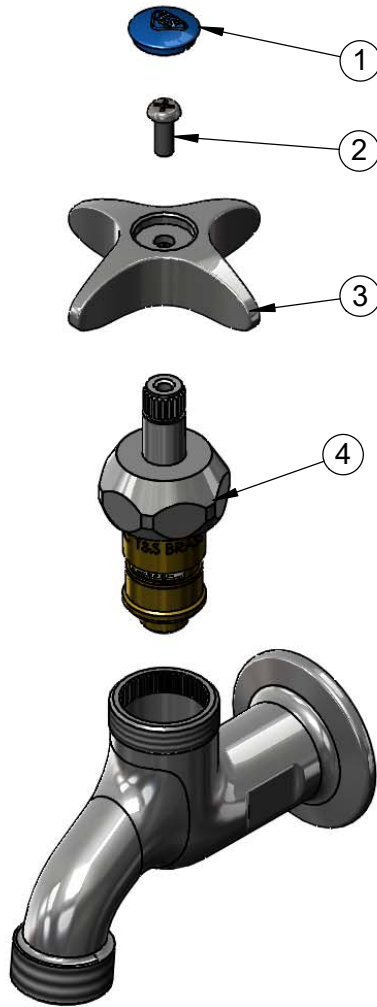
**T&S BRASS AND BRONZE WORKS, INC.**  
 2 Saddleback Cove / P.O. Box 1088  
 Travelers Rest, SC 29690

Model No.  
**B-0702-CR**

Item No.

Travelers Rest, SC: 800-476-4103 • Simi Valley, CA: 800-423-0150 • Fax: 864-834-3518 • www.tsbrass.com

ITEM NO.	SALES NO.	DESCRIPTION
1	018506-19NS	Blue Button Index, Press-in
2	000925-45	Lab Handle Screw
3	002521-45NS	4-Arm Handle (New Style)
4	012394-25NS	Quarter-Turn Cerama Cartridge w/ Check Valve, RTC



Product Specifications:  
 Single Sink Wall Mount Faucet, Quarter-Turn Cerama Cartridge w/ Check Valve, 4-Arm Handle w/ Blue Index, 3/4" Garden Hose Outlet & 1/2" NPT Female Inlet

Product Compliance:  
 ASME A112.18.1 / CSA B125.1  
 NSF 61 - Section 9  
 NSF 372 (Low Lead Content)  
 ANSI A117.1 (ADA)