



Architect/Engineering Specifications:

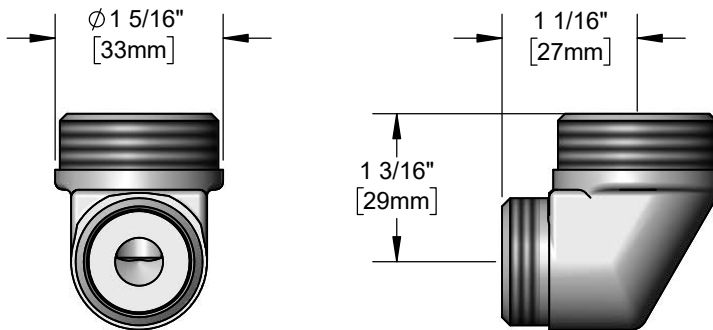
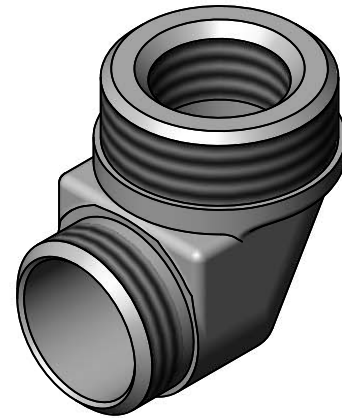
Polished chrome plated swivel body, 1-20 UN male inlet and 1 1/4"-18 male outlet. Certified to NSF 61-Section 9 and NSF 372.

Job Name _____

Model Specified _____ Quantity _____

Variations Specified _____

Date _____



Features & Benefits:

- Swivel body
- 1-20 UN male inlet
- 1 1/4"-18 male outlet
- Material: Polished chrome plated brass

Product Compliance:

- NSF 61 - Section 9
- NSF 372 (Low Lead Content)



Warranty: One Year (Limited)



Performance Data:

- N/A

