



T&S BRASS AND BRONZE WORKS, INC.
 2 Saddleback Cove / P.O. Box 1088
 Travelers Rest, SC 29690

Model No.
S-0205-LN

Item No.

Travelers Rest, SC: 800-476-4103 • Simi Valley, CA: 800-423-0150 • Fax: 864-834-3518 • www.tsbrass.com

EVERSTEEL



ADA Compliant

This Space for Architect/Engineer Approval

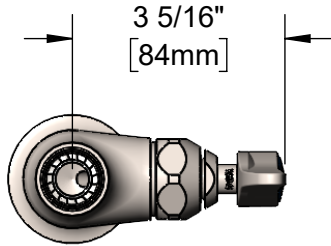
Job Name _____ Date _____

Model Specified _____ Quantity _____

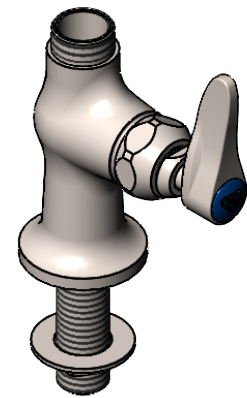
Customer/Wholesaler _____

Contractor _____

Architect/Engineer _____

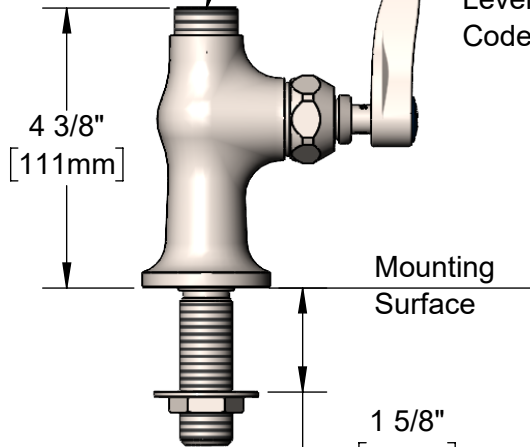


3 5/16"
[84mm]



Swivel Outlet Accepts Standard
T&S Stainless Steel Swing
Nozzles. Converts to Rigid w/
014200-45 Lock Washer
(Included)

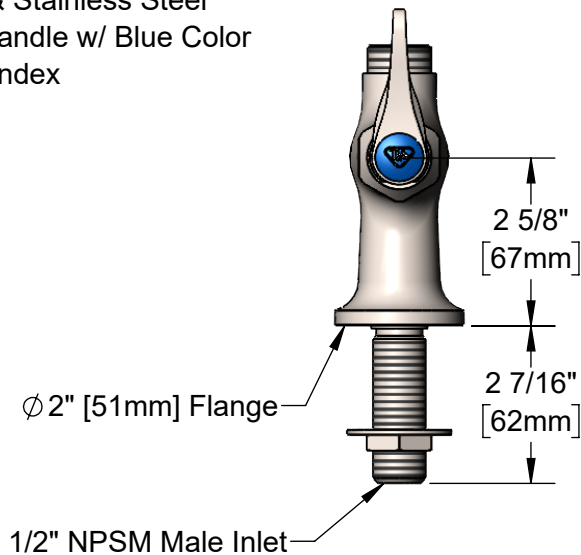
Stainless Steel Quarter-Turn
Eterna Cartridge w/ Spring
Check & Stainless Steel
Lever Handle w/ Blue Color
Coded Index



4 3/8"
[111mm]

Mounting
Surface

1 5/8"
[41mm]
Maximum
Thickness



2 5/8"
[67mm]

Ø 2" [51mm] Flange

2 7/16"
[62mm]

1/2" NPSM Male Inlet

Rough-In Requirement:

Ø 1" [25mm] Mounting Hole

Product Specifications:

Stainless Steel Single Hole Single Temperature Deck Mount Faucet, Stainless Steel Quarter-Turn Eterna Cartridge w/ Spring Check, Stainless Steel Lever Handle & 1/2" NPSM Male Inlet, Less Nozzle

Product Compliance:

ASME A112.18.1 / CSA B125.1
 NSF 61 - Section 9
 NSF 372 (Low Lead Content)
 ANSI A117.1 (ADA)



T&S BRASS AND BRONZE WORKS, INC.

2 Saddleback Cove / P.O. Box 1088
Travelers Rest, SC 29690

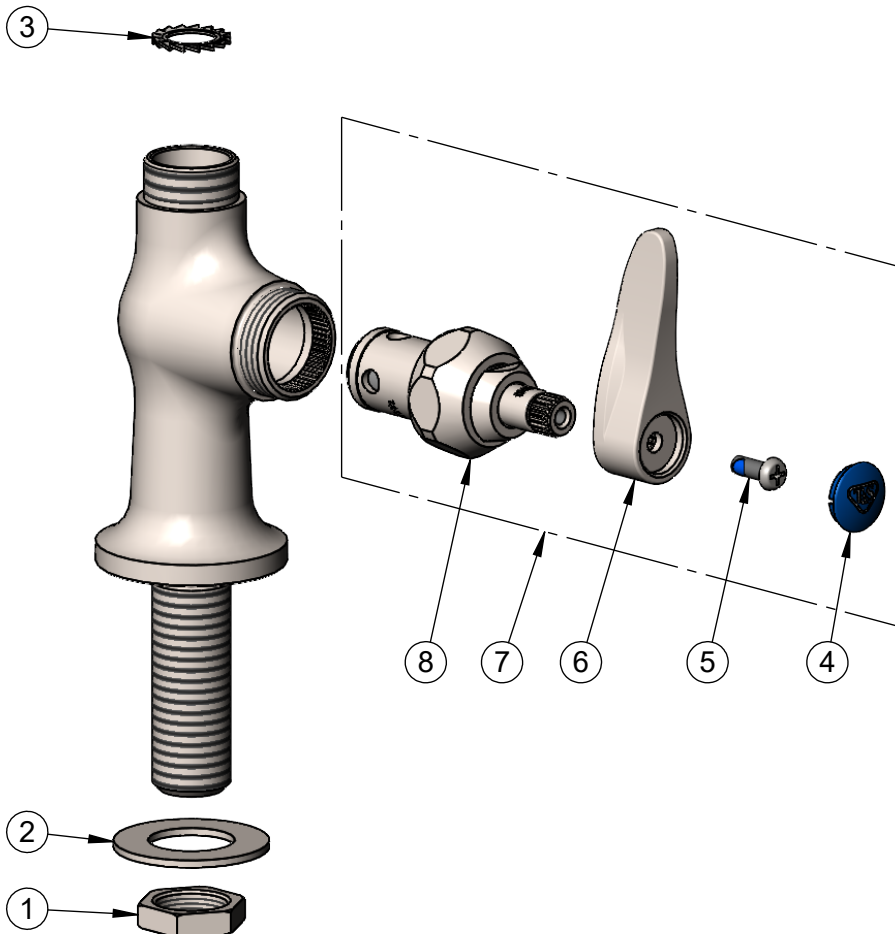
Model No.

S-0205-LN

Item No.

Travelers Rest, SC: 800-476-4103 • Simi Valley, CA: 800-423-0150 • Fax: 864-834-3518 • www.tsbrass.com

ITEM NO.	SALES NO.	DESCRIPTION
1	S002954-20	Shank Lock Nut
2	S000999-20	Stainless Steel Lock Washer
3	014200-45	Star Washer, Anti-Rotation
4	018506-19NS	Blue Button Index, Press-in
5	000925-45	Lab Handle Screw
6	S001638-30NS	Lever Handle (New Style)
7	S019639-30	Stainless Steel Quarter-Turn Eterna Cartridge RTC w/ Spring Check, Handle, Blue Index & Screw
8	S012443-30NS	Stainless Steel Quarter-Turn Eterna Cartridge w/ Spring Check, RTC



Product Specifications:

Stainless Steel Single Hole Single Temperature Deck Mount Faucet, Stainless Steel Quarter-Turn Eterna Cartridge w/ Spring Check, Stainless Steel Lever Handle & 1/2" NPSM Male Inlet, Less Nozzle

Product Compliance:

ASME A112.18.1 / CSA B125.1
NSF 61 - Section 9
NSF 372 (Low Lead Content)
ANSI A117.1 (ADA)