



# Workboard / Bar Sink Faucets

## S-1146-CR

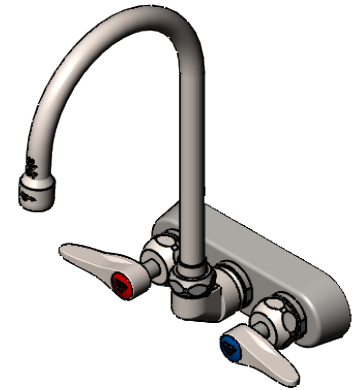
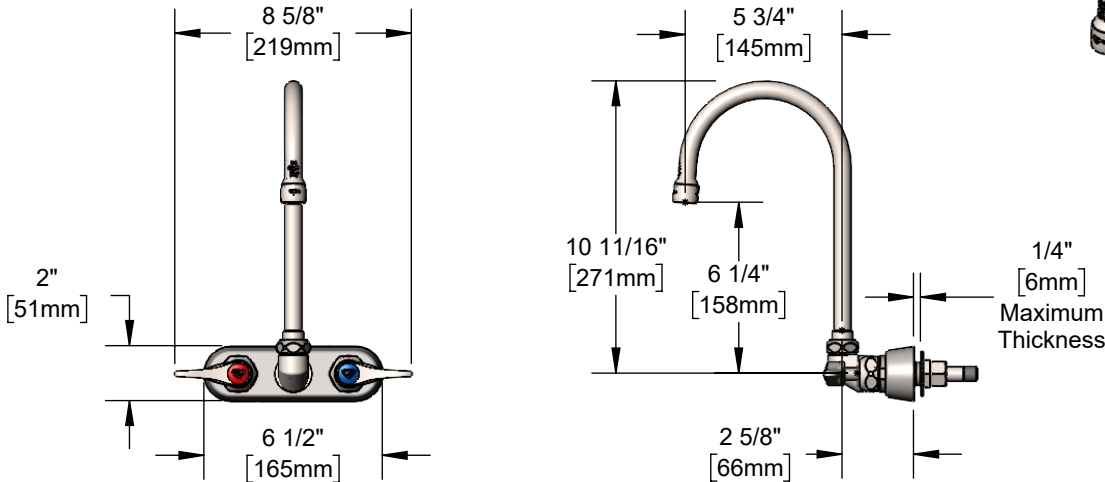
TAG: \_\_\_\_\_

**EVERSTEEL** Workboard Mixing Faucet

### Architect/Engineering Specifications:

4" wall mount mixing faucet with stainless steel body, 5 3/4" stainless steel swivel gooseneck with 2.2 GPM stainless steel aerator, ceramic cartridges with check valves, stainless steel lever handles, 1/2" NPT stainless steel male inlets and stainless steel escutcheon. Certified to ASME A112.18.1/CSA B125.1, NSF 61-Section 9 and NSF 372. Meets ADA ANSI/ICC A117.1 requirements.

Job Name \_\_\_\_\_  
 Model Specified \_\_\_\_\_ Quantity \_\_\_\_\_  
 Variations Specified \_\_\_\_\_  
 Date \_\_\_\_\_



### Features & Benefits:

- 4" wall mount mixing faucet w/ stainless steel body
- 5 3/4" stainless steel swivel gooseneck
- 2.2 GPM stainless steel aerator, Series 1 (S-0199-01)
- Stainless steel quarter-turn Cerama cartridges w/ check valves to prevent cross flow of water
- Stainless steel lever handles w/ color coded indexes
- 1/2" NPT stainless steel male inlets
- Stainless steel tailpieces and nuts for 1/4" NPT stainless steel male connections
- Stainless steel escutcheon
- Material: Stainless steel body, tubular spout, handles & escutcheon

### Product Compliance:

- ASME A112.18.1 / CSA B125.1
- NSF 61 - Section 9
- NSF 372 (Low Lead Content)
- ANSI A117.1 (ADA)

**Warranty:** Lifetime (Limited)

### Performance Data:

- Pressure: 20 - 125 psi [1.38 - 8.62 bar]
- Temperature: 40°F - 140°F [4.44°C - 60°C]
- Flow Rate: 2.2 GPM [8.33 L/min] @ 60 psi [4.14 bar]



**ADA Compliant**

### Optional SS Handles

- 4" Wrist Action
- Lever (Standard)



**T&S BRASS AND BRONZE WORKS, INC.**



• 2 Saddleback Cove • Travelers Rest, SC 29690  
 Ph 800-476-4103 • Fax 864-834-3518  
 • Simi Valley, CA • Ph 800-423-0150 • www.tsbrass.com

Date: 11/02/23