



Spray Valve Assemblies and Faucets

B-1344-CRVB102C

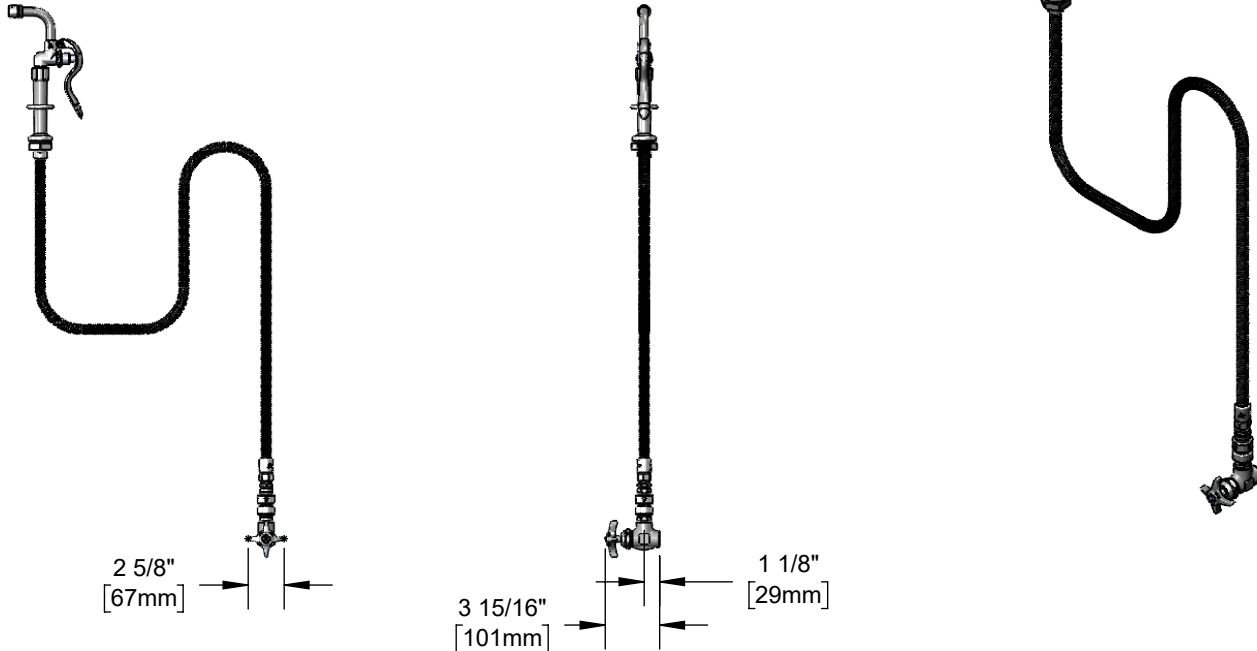
TAG:

Wall Mount Well Filler

Architect/Engineering Specifications:

Angle stop with polished chrome plated brass body, ceramic cartridge, four-arm handle, 3/8" NPT vacuum breaker, 68" flexible stainless steel hose with heat resistant handle, 90° angled spray valve, 2.2 GPM aerator, deck flange and 1/2" NPT female inlet. Certified to ASME A112.18.1/CSA B125.1, NSF 61-Section 9, NSF 372 and CSA B64.8.

Job Name _____
 Model Specified _____ Quantity _____
 Variations Specified _____
 Date _____



Features & Benefits:

- Angle stop with polished chrome plated brass body
- 3/8" NPT female vacuum breaker
- 68" flexible stainless steel hose with heat resistant gray handle and hold down ring
- 90° angled spray valve with 2.2 GPM aerator, Series 1 (B-0199-01)
- Quarter-turn Cerama cartridge
- 4-arm handle w/ (CW) color coded index
- 1/2" NPT female inlet
- Materials: Polished chrome plated brass body, spray valve, stainless steel hose, chrome plated metal handle

Product Compliance:

- ASME A112.18.1 / CSA B125.1
- NSF 61 - Section 9
- NSF 372 (Low Lead Content)
- 2019 DOE PRSV Non-Compliant
- Product Not Designed/Intended for Commercial Warewashing in North America
- CSA B64.8



Warranty: One Year (Limited)

Cerama cartridge: Lifetime (Limited)

Performance Data:

- Pressure: 20 - 125 psi [1.38 - 8.62 bar]
- Temperature: 40°F - 140°F [4.44°C - 60°C]
- Flow Rate: 2.2 GPM [8.33 L/min] @ 60 psi [4.14 bar]

Optional Handles

- 4" Wrist Action
- Lever
- 4-Arm (Standard)

Optional Cartridges

- Quarter-Turn Cerama (Standard)
- Eterna
- Quarter-Turn Eterna



T&S BRASS AND BRONZE WORKS, INC.



• 2 Saddleback Cove • Travelers Rest, SC 29690
 Ph 800-476-4103 • Fax 864-834-3518
 • Simi Valley, CA • Ph 800-423-0150 • www.tsbrass.com

Date: 07/28/23