



**T&S BRASS AND BRONZE WORKS, INC.**  
 2 Saddleback Cove / P.O. Box 1088  
 Travelers Rest, SC 29690

Model No.  
**S-1141-CR**

Item No.

Travelers Rest, SC: 800-476-4103 • Simi Valley, CA: 800-423-0150 • Fax: 864-834-3518 • www.tsbrass.com

**EVERSTEEL**



**ADA Compliant**

This Space for Architect/Engineer Approval

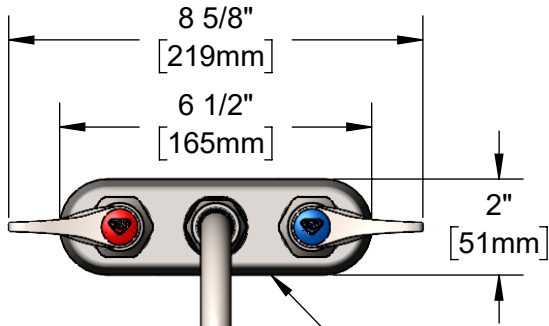
Job Name \_\_\_\_\_ Date \_\_\_\_\_

Model Specified \_\_\_\_\_ Quantity \_\_\_\_\_

Customer/Wholesaler \_\_\_\_\_

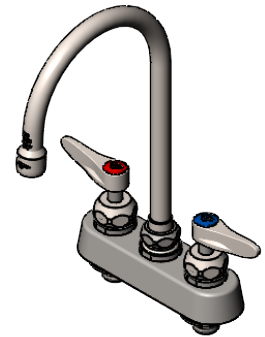
Contractor \_\_\_\_\_

Architect/Engineer \_\_\_\_\_



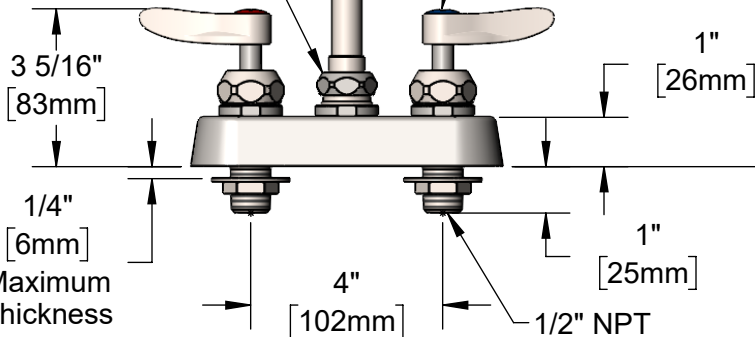
Stainless Steel Escutcheon

S133X-A22  
 Stainless Steel  
 6" Swivel Gooseneck  
 w/ 2.2 GPM Stainless  
 Steel Aerator



Swivel Joint  
 Converts to Rigid  
 w/ 014200-45  
 Lock Washer  
 (Included)

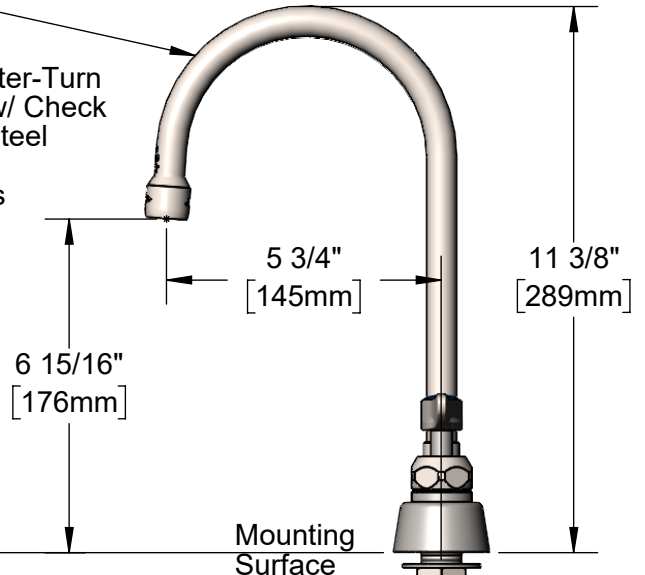
Stainless Steel Quarter-Turn  
 Cerama Cartridges w/ Check  
 Valves & Stainless Steel  
 Lever Handles w/  
 Color Coded Indexes



Maximum  
 Thickness

Rough-In Requirement:  
 (2)  $\varnothing$  1" [25mm] Mounting Holes

1/2" NPT  
 Stainless  
 Steel  
 Male Inlets



Mounting  
 Surface

(2) S150A  
 Optional Stainless  
 Steel Tailpieces &  
 Nuts for 1/4" NPT  
 Connection (Included)

**Product Specifications:**

4" Stainless Steel Deck Mount Workboard Faucet, Stainless Steel Quarter-Turn Cerama Cartridges w/ Check Valves, Stainless Steel Lever Handles, 6" Stainless Steel Swivel Gooseneck, 2.2 GPM Stainless Steel Aerator & 1/2" NPT Stainless Steel Male Inlets

**Product Compliance:**

ASME A112.18.1 / CSA B125.1  
 NSF 61 - Section 9  
 NSF 372 (Low Lead Content)  
 ANSI A117.1 (ADA)



# T&S BRASS AND BRONZE WORKS, INC.

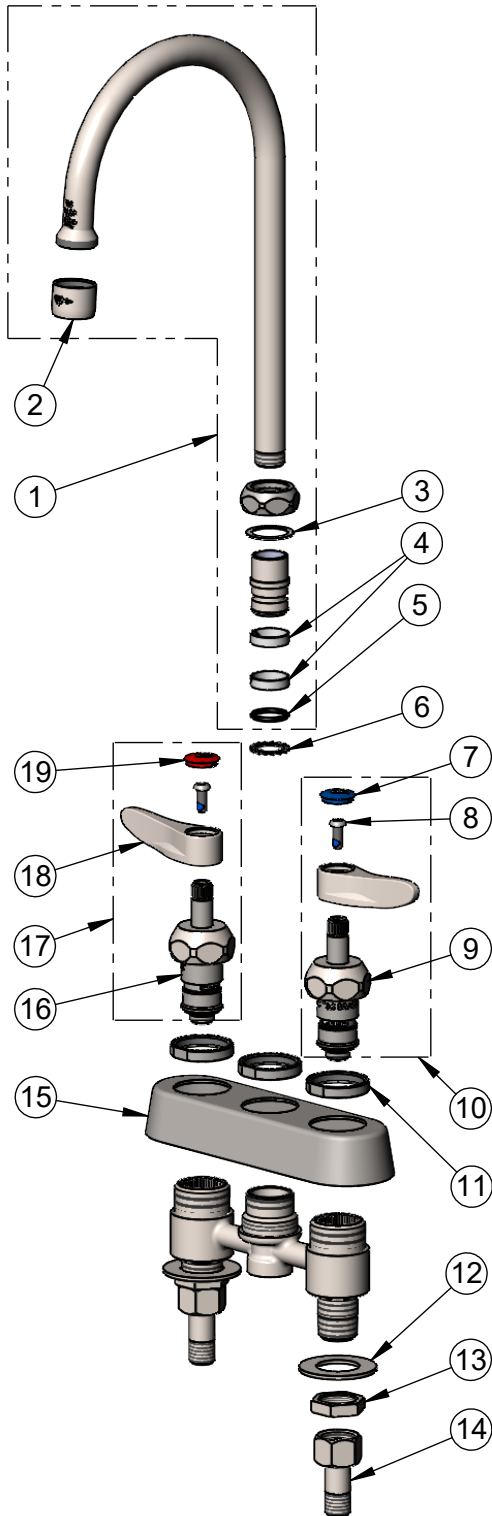
2 Saddleback Cove / P.O. Box 1088  
Travelers Rest, SC 29690

Model No.

**S-1141-CR**

Item No.

Travelers Rest, SC: 800-476-4103 • Simi Valley, CA: 800-423-0150 • Fax: 864-834-3518 • www.tsbrass.com



ITEM NO.	SALES NO.	DESCRIPTION
1	S133X-A22	6" SS Swivel Gooseneck w/ 2.2 GPM SS Aerator
2	S-0199-01	2.2 GPM SS Aerator, 55/64-27 UN Female
3	009538-45	Swivel Washer
4	011429-45	Swivel Sleeves (2)
5	001074-45	O-Ring
6	014200-45	Star Washer, Anti-Rotation
7	018506-19NS	Blue Button Index, Press-in
8	000925-45	Lab Handle Screw
9	S012395-30NS	Stainless Steel Quarter-Turn Cerama Cartridge w/ Check Valve, LTC
10	S012447-30NS	Stainless Steel Quarter-Turn Cerama Cartridge w/ Check Valve, Handle, Blue Index & Screw, LTC
11	S019376-30	Stainless Steel Escutcheon Lock Nut
12	S000999-20	Stainless Steel Lock Washer
13	S002954-20	Stainless Steel Shank Lock Nut
14	S150A	1/4" NPT Stainless Steel Tailpiece & Nut
15	S019374-30	S-1110 Stainless Steel Workboard Escutcheon
16	S012394-30NS	Stainless Steel Quarter-Turn Cerama Cartridge w/ Check Valve, RTC
17	S012446-30NS	Stainless Steel Quarter-Turn Cerama Cartridge w/ Check Valve, Handle, Red Index & Screw, RTC
18	S001638-30NS	Stainless Steel Lever Handle (New Style)
19	001193-19NS	Red Button Index, Press-in

**Product Specifications:**

4" Stainless Steel Deck Mount Workboard Faucet, Stainless Steel Quarter-Turn Cerama Cartridges w/ Check Valves, Stainless Steel Lever Handles, 6" Stainless Steel Swivel Gooseneck, 2.2 GPM Stainless Steel Aerator & 1/2" NPT Stainless Steel Male Inlets

**Product Compliance:**

ASME A112.18.1 / CSA B125.1  
NSF 61 - Section 9  
NSF 372 (Low Lead Content)  
ANSI A117.1 (ADA)