



T&S BRASS AND BRONZE WORKS, INC.

2 Saddleback Cove / P.O. Box 1088
Travelers Rest, SC 29690

Model No.

S-2780-A12-BC

Item No.

Travelers Rest, SC: 800-476-4103 • Simi Valley, CA: 800-423-0150 • Fax: 864-834-3518 • www.tsbrass.com

This Space for Architect/Engineer Approval

Job Name _____ Date _____

Model Specified _____ Quantity _____

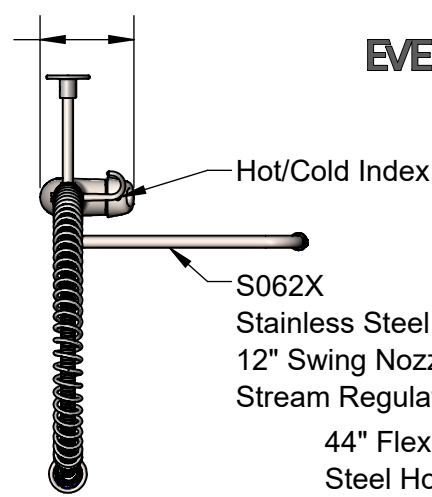
Customer/Wholesaler _____

Contractor _____

Architect/Engineer _____

EVERSTEEL

4 7/8"
[124mm]



44" Flexible Stainless
Steel Hose w/ Spring &
Spray Valve

S-0109-01
Stainless
Steel
6" Wall
Bracket

Items Not Shown
For Clarity

Stainless Steel
3/8" NPT x 24" Riser

Stainless Steel
Finger Hook

S-0107-C
Stainless Steel
0.65 GPM
Spray Valve

46 3/4"
[1188mm]

12"
[305mm]

2 5/16"
[59mm]

EasyInstall
Lock Nut &
Bushing

2 3/16"
[55mm]
Maximum
Thickness

12 1/16"
[306mm]

15 3/16"
[385mm]

17 3/16"
[437mm]

14 1/16"
[357mm]

7 5/8"
[194mm]

Mounting Surface

Single Lever w/
Ceramic Cartridge

18" Flexible Stainless Steel Supply
Hoses w/ G1/2 Female Swivel Fittings
(Compatible w/ 1/2" NPSM Threads)

Ø2"
[51mm]
Deck
Flange

Rough-in Requirement:
Ø 1 1/2" [38mm] Mounting Hole

Product Specifications:

Pre-Rinse Unit: EasyInstall Stainless Steel Single Hole Deck Mount Single Lever Faucet, Ceramic Cartridge, SS Add-On Faucet, SS 12" Swing Nozzle, 44" Flexible Stainless Steel Hose, Stainless Steel 0.65 GPM Low Flow Spray Valve, Stainless Steel 6" Wall Bracket & Flexible Stainless Steel Supply Hoses

Product Compliance:

ASME A112.18.1 / CSA B125.1
NSF 61 - Section 9
NSF 372 (Low Lead Content)
2019 DOE PRSV - Class I



T&S BRASS AND BRONZE WORKS, INC.

2 Saddleback Cove / P.O. Box 1088
Travelers Rest, SC 29690

Model No.

S-2780-A12-BC

Item No.

Travelers Rest, SC: 800-476-4103 • Simi Valley, CA: 800-423-0150 • Fax: 864-834-3518 • www.tsbrass.com

ITEM NO.	SALES NO.	DESCRIPTION
1	S-0107-C	Stainless Steel 0.65 GPM Spray Valve (Blue)
2	010476-45	#27 Washer
3	S000907-30	Spray Valve Hold Down Ring
4	S011482-30	Blue Grip Handle
5	001014-45	Washer, Hose Barrel
6	S-0044-H2A	Flexible Stainless Steel Hose
7	S000888-30	EasyInstall Overhead Spring
8	S000821-30	Spring Body
9	S-0109-01	Stainless Steel 6" Wall Bracket
10	S004R	Finger Hook
11	S000372-30	3/8" NPT x 24" Riser, Stainless Steel
12	S-0155-CR-LNEZ	Stainless Steel EasyInstall Add-On Faucet w/ Cerama Cartridge & Lever Handle (Less Nozzle)
13	SEZ-K	Stainless Steel EasyInstall Kit: Nut, Bushing, O-Ring & Lock Washer
14	001065-45	O-Ring
15	014200-45	Star Washer, Anti-Rotation
16	013111-45	Ceramic Cartridge w/ Temperature Limit Stop
17	015400-45	Temperature Limit Stop
18	S021022-20	Locking Nut, Stainless Steel
19	014173-45	Index, Temperature
20	016675-45	Set Screw
21	S021020-30	Single Lever Handle, Stainless Steel
22	S021021-30	Trim Ring, Stainless Steel
23	S020656-20	Washer, Stainless Steel
24	S020655-20	Lock Nut
25	012436-45DR	Flexible Connector Hose
26	S001638-30NS	Lever Handle (New Style)
27	018506-19NS	Blue Button Index, Press-in
28	000925-45	Lab Handle Screw
29	S012394-30NS	Stainless Steel Quarter-Turn Cerama Cartridge w/ Check Valve, RTC
30	S-PT	Stainless Steel Full Flow Stream Regulator, 55/64-27
31	S062X	Stainless Steel 12" Swing Nozzle

Product Specifications:
 Pre-Rinse Unit: EasyInstall Stainless Steel Single Hole Deck Mount Single Lever Faucet, Ceramic Cartridge, SS Add-On Faucet, SS 12" Swing Nozzle, 44" Flexible Stainless Steel Hose, Stainless Steel 0.65 GPM Low Flow Spray Valve, Stainless Steel 6" Wall Bracket & Flexible Stainless Steel Supply Hoses

Product Compliance:
 ASME A112.18.1 / CSA B125.1
 NSF 61 - Section 9
 NSF 372 (Low Lead Content)
 2019 DOE PRSV - Class I